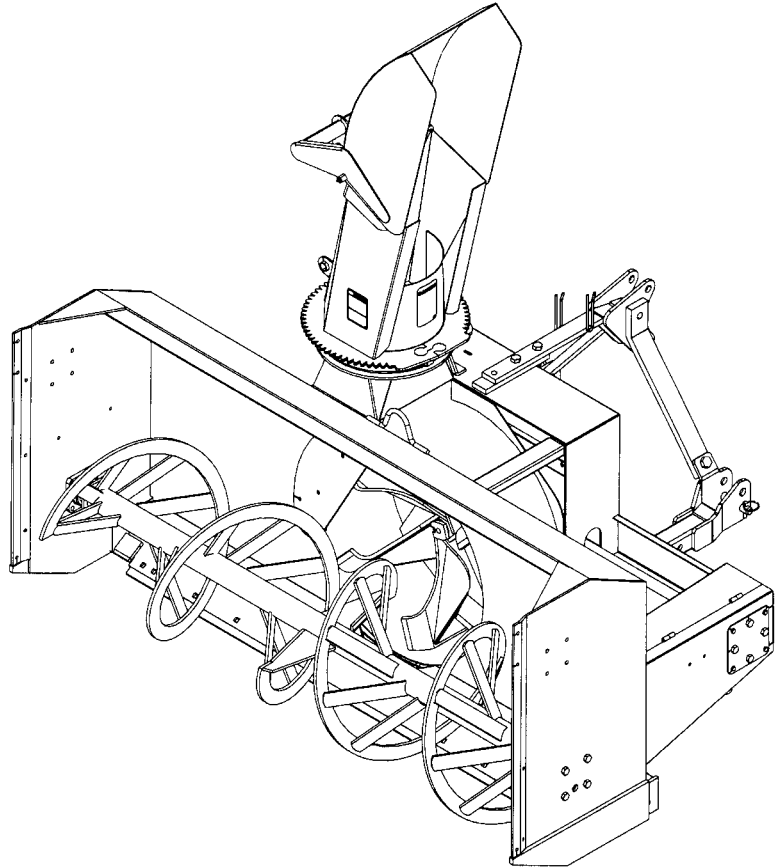


BER-VAC



OPERATOR'S AND PARTS MANUAL

**SA92TRC, SA98TRC & SA104TRC
MODELS**

SERIAL NO. SFT11843 AND UP

OM 0275-A
06/07



TABLE OF CONTENT

INTRODUCTION – TO THE PURCHASER	3
SAFETY PRECAUTIONS	4
Before Operation	4
Notice	5
The Snowblower	5
Before Operation	5
Snowblower operation	6
The Tractor	7
General Information.....	7
Operating the Tractor	7
During Operation	7
Maintenance	8
Transporting	8
Storage	8
DECALS	9
ASSEMBLY	10
Snowblower Assembly	10
Three Point Hitch Installation.....	10
Snowblower Installation	11
Installation of the Snowblower with Quick Hitch	12
How to Determine Driveline Angles	13
Angles at Each End of Driveline	14
Determining Driveline Length	14
Chute Installation.....	16
Hydraulic Rotation by Motor – 8164A.....	17
Driveline Installation.....	18
Removing Snowblower from Tractor	18
OPERATION	19
General Preparation	19
Operating Controls	19
Raising and Lowering the Snowblower.....	19
Drive Shaft Operation	19
Deflector Adjustment	19
Skid Shoes Adjustment	19
Work and Travel Speed	19
Snow Removal Methods	20

TABLE OF CONTENT

MAINTENANCE	21
Maintenance	21
Shearbolts	21
Drive Shaft	21
Driveline	21
Lubrication.....	22
Driveline Troubleshooting	23
PARTS	26
Introduction.....	26
Snowblower SA92TRC - SA98TRC - SSA104TRC	27
Three Point Hitch	30
Standard Chute – 8247	31
Semi-Industrial Chute – 8169B.....	32
Hydraulic Rotation by Motor – 8164A.....	33
Gearbox – 662281.....	34
Driveline - 662288	35
AVAILABLE OPTIONS.....	36
WARRANTY	37
TORQUE SPECIFICATION TABLE.....	38

INTRODUCTION

TO THE PURCHASER

All BER-VAC and BLIZZARD products are designed to give safe, dependable service if they are operated and maintained according to instructions. **Read and understand this manual before operation.**

This manual has been prepared to assist the owner and operators in the safe operation and suitable maintenance of the implements. The information was applicable to products at the time of manufacture and does not include modifications made afterwards.

Read and understand this operator's manual before attempting to put an implement into service. Familiarize yourself with the operating instructions and all the safety recommendations contained in this manual and those labeled on the implements and on the tractor. Follow the safety recommendations and make sure that those with whom you work follow them.

To assist your dealer in handling your needs, please record hereafter the model number and serial number of your implement and tractor. It is also advisable to supply them to your insurance company. It will be helpful in the event that an implement or tractor is lost or stolen.

Illustrations

The illustrations may not necessarily reproduce the full detail and the exact shape of the parts or depict the actual models, but are intended for reference only

Direction Reference

Right Hand and Left Hand are determined by those seen by the conductor looking at the machine while operating.

MODEL : _____

SERIAL NUMBER : _____

DATE OF PURCHASE : _____

SAFETY PRECAUTIONS



SAFETY FIRST

This symbol, the industry's "Safety Alert Symbol", is used throughout this manual and on labels on the machine itself to warn of the possibility of personal injury. Read these instructions carefully. It is essential that you read the instructions and safety regulations before you attempt to assemble or use this unit.



DANGER : Indicates an immediately hazardous situation which, if not avoided, will result in death or serious injury.



WARNING : Indicates a potentially hazardous situation which, if not avoided, could result in death or serious injury.



CAUTION : Indicates a potentially hazardous situation which, if not avoided, may result in minor or moderate injury.

IMPORTANT : Indicates that equipment or property damage could result if instructions are not followed.

NOTE : Gives helpful information.

All products are designed to give safe, dependable service if they are operated and maintained according to instructions. **Read and understand this manual before operation.** It is the owner's responsibility to be certain anyone operating this product reads this manual., and all other applicable manuals, to become familiar with this equipment and all safety precautions. Failure to do so could result in serious personal injury or equipment damage. If you have any questions, consult your dealer.

BEFORE OPERATION

Children

Tragic accidents can occur if the operator is not alert to the presence of children. Children are generally attracted to machines and the work being done. Never assume children will remain where you last saw them.

1. Keep children out of the operating area and under the watchful eye of another responsible adult.
2. Be alert and turn machine off if children enter the work area.
3. Before and when backing, look behind and look for small children.
4. Never carry children while operating the machine. They may fall off and be seriously injured or interfere with safe operation of the machine.
5. Never allow children to play on the machine or attachment even when turned off.
6. Never allow children to operate the machine even under adult supervision.
7. Use extra care when approaching blind corners, shrubs, trees, or other obstructions that might hide children from sight.

SAFETY PRECAUTIONS - continued

NOTICE

A safe operator is the best insurance against accidents. All operators, no matter how experienced they may be, should read this Operator's Manual and all other related manuals before attempting to operate an implement. Please read the following section and pay particular attention to all safety recommendations contained in this manual and those labeled on the implements and on the tractor.

THE SNOWBLOWER

Before Operation

1. Read and understand this operator's manual and tractor operator's manual. Know how to operate all controls and how to stop the unit and disengage the controls quickly.
2. Never wear loose, torn, or bulky clothing around the tractor and implement. It may catch on moving parts or controls, leading to the risk of accident.
3. Before the snow season, thoroughly inspect the area where the equipment is to be used and remove all doormats, sleds, boards and other foreign objects.
4. Disengage clutch and shift into neutral before starting the engine.
5. Do not operate equipment in wintertime without wearing adequate winter garments.
6. Never attempt to make any adjustments while engine is running. Read this manual carefully to acquaint yourself with the equipment as well as the tractor operator's manual. Working with unfamiliar equipment can lead to accidents. Be thoroughly familiar with the controls and proper use of the equipment. Know how to stop the unit and disengage the controls quickly.
7. Keep all shields in place and properly tighten all mounting hardware.
8. Periodically, inspect all moving parts for wear and replace with authorized service parts if an excessive amount of wear is present.
9. Replace all missing, illegible, or damaged safety and warning decals. See list of decals in the operator's manual.
10. Do not modify or alter this equipment or any of its components, or any equipment function without first consulting your dealer.
11. Keep safety decals clean of dirt and grime.

SAFETY PRECAUTIONS - continued

Snowblower Operation

1. Before leaving the tractor unattended, take all possible precautions. Disengage the PTO, stop the engine and remove the ignition key. Lower the implement to the ground.
2. Before starting the snowblower, remove any ice that has accumulated in the auger/impeller.
3. Watch carefully for foreign objects that could enter the blower while operating.
4. Be sure the clutch switch/lever is in OFF position before starting engine.
5. Do not put hands or feet near rotation parts. Keep clear of discharge opening at all times.
6. Exercise extreme caution when operating on or crossing a gravel drive, walks, or roads. Stay alert for hidden hazards or traffic. Do not carry passengers.
7. Adjust collector housing height to clear gravel or crushed rock surface.
8. Stop the engine, remove the key, and allow the rotating parts to stop before unclogging the collector/impeller housing or chute, and making any repairs, adjustments or inspections. Use only a 36" long piece of wood to unclog blower.
9. If the snowblower starts to vibrate abnormally, stop the engine immediately and check for cause. Excessive vibration is generally a sign of trouble.
10. Do not run the engine indoors except when starting engine and transporting attachment in or out of building. Carbon monoxide gas is colorless, odorless and deadly.
11. Exercise extreme caution when changing direction on slopes. Do not attempt to operate on steep slopes.
12. Never operate snowblower without guards, and other safety protective devices in place.
13. Never operate snowblower near glass enclosures, automobiles, window wells, embankments, etc., without proper adjustment of snow discharge angle.
14. Never operate machine at high transport speeds on a slippery surface.
15. Use extra caution when backing up.
16. Do not direct discharge at bystanders or animals. Ejected objects may cause injury.
17. Disengage power to auger/impeller when transporting or when not in use.
18. Never operate the snowblower without good visibility and lighting.
19. Prolonged exposure to loud noise can cause impairment or loss of hearing. Wear a suitable hearing protective device such as earmuffs or earplugs to protect against objectionable or uncomfortable noises.

SAFETY PRECAUTIONS - continued

THE TRACTOR

General Information

1. Read the operator's manual carefully before using tractor. Lack of operating knowledge can lead to accidents.
2. Do not allow anyone but the operator to ride on the tractor. There is no safe place for extra riders

Operating the Tractor

1. Never run the tractor engine in a closed building without adequate ventilation, as the exhaust fumes are very dangerous.
2. Never allow an open flame near the fuel tank or battery.
3. Make sure the shield is installed when using a PTO-driven equipment and always replace the shield if damaged.
4. Always bring the tractor to a complete stop, shut off the engine, lower the implement to the ground and remove the ignition key before leaving the tractor.
5. Never park the tractor on a steep slope.
6. Do not attempt to operate on steep slopes.
7. Use of tire chains for better traction and stability is recommended.
8. Always drive the tractor at speeds compatible with safety, especially when operating over rough ground, crossing ditches, or when turning.
9. Handle fuel with care, as it is highly flammable.
10. Use approved fuel container.
11. Never add fuel to a running engine or a hot engine.
12. Fill fuel tank outdoors with extreme care. Never fill fuel tank indoors. Replace fuel cap securely and wipe up spilled fuel.
13. Never allow anyone to operate the snowblower until they are thoroughly familiar with basic tractor and snowblower operation.
14. Make sure the tractor is counterweighted as recommended by your dealer. Weights provide the necessary balance to prevent tip-over or loss of traction or steering.
15. Always make sure all snowblower components are properly installed and securely fastened BEFORE operation.

During Operation

1. Do not allow anyone to ride on the tractor/snowblower at any time. There is no safe place for passengers on this equipment. The operator MUST sit in the tractor seat.
2. Eye and hearing protection is recommended when operating the snowblower.
3. Operate only during daylight hours, or when the area is well lit with bright artificial light.
4. Disengage the PTO (turn to "OFF"), place the transmission in neutral, set the parking brake, shut off the engine and remove the key, and make sure rotating components have stopped BEFORE leaving the operator's seat.
5. Inspect the snowblower after striking any foreign object to assure that all snowblower parts are safe and secure and not damaged.

SAFETY PRECAUTIONS- continued

MAINTENANCE

1. Park the tractor/snowblower on level ground, set the parking brake, disengage the PTO, shut off the engine, remove the key, and lower the implement to the ground **BEFORE** making any snowblower adjustments.
2. To avoid injury, do not adjust, unclog or service the snowblower with the tractor engine running. Making sure rotating components have completely stopped before leaving the operator's seat
3. Keep the tractor/snowblower clean. Snow and ice build-up can lead to malfunction or personal injury from thawing and refreezing in garage.
4. Always wear eye protection when cleaning or servicing the snowblower.
5. Do not work under any part of the tractor or snowblower, unless it is securely supported by safety stands.
6. Make sure all shields and guards are securely in place following all service, cleaning, or repair work.
7. Do not modify or alter this equipment or any of its components or operating functions. If you have questions concerning modifications, consult with your dealer.

TRANSPORTING

1. If the tractor/snowblower is to be driven on public roads, it must be equipped with an SMV (Slow Moving Vehicle) sign. Check local traffic codes that may apply to unit usage on public roads and highways in your area.
2. Be alert for all other traffic when driving the tractor/snowblower on public roads or highways.

STORAGE

1. Before storing the snowblower, certain precautions should be taken to protect it from deterioration.
2. Clean the snowblower thoroughly.
3. Make all the necessary repairs.
4. Replace all Safety Signs that are damaged, lost, or otherwise become illegible. If a part to be replaced has a sign on it, obtain a new safety sign from your dealer and install it in the same place as on the removed part.
5. Repaint all parts from which paint has worn or peeled.
6. Lubricate the snowblower as instructed under "**Lubrication**" section.
7. When the snowblower is dry, oil all moving parts. Apply oil liberally to all surfaces to protect against rust.
8. Attach driveline shield safety chain around driveline by passing it over the upper hitch
9. Store in a dry place.

DECALS

Replace Immediately If Damaged.



656779



660989



660988

SA92TRC: 664426
SA98TRC: 664444
SA104TRC: 662391

Danger: 664383

Included with Option 8164A



2500316



2500330



656780

IMPORTANT
Before using:
-Oil level must be checked
-Fill with SAE 80W90, "AGMA 5 EP" extreme pressure oil or equivalent
-Read instructions manual

IMPORTANT
Avant usage:
-Vérifier le niveau d'huile
-Remplir avec de l'huile SAE 80W90, "AGMA 5EP" pression extrême ou équivalent
-Lire manuel d'instructions

21

655834



656781

ASSEMBLY

SNOWBLOWER ASSEMBLY

The snowblower is assembled at the factory, however, snowblower kits must be assembled. Use the present manual and lay out all parts for assembly. Separate bolts and nuts into various sizes. After assembly, torque all the bolts according to the Torque Specification Table enclosed at the end of the manual.

Three Point Hitch Installation (Figure 1)

1. Install the lower left hitch and lower right hitch (items 1-2) on snowblower using two 3/4" x 5 1/2" bolts, 3/4" lockwashers and 3/4" hex nuts (items 14-16-17).

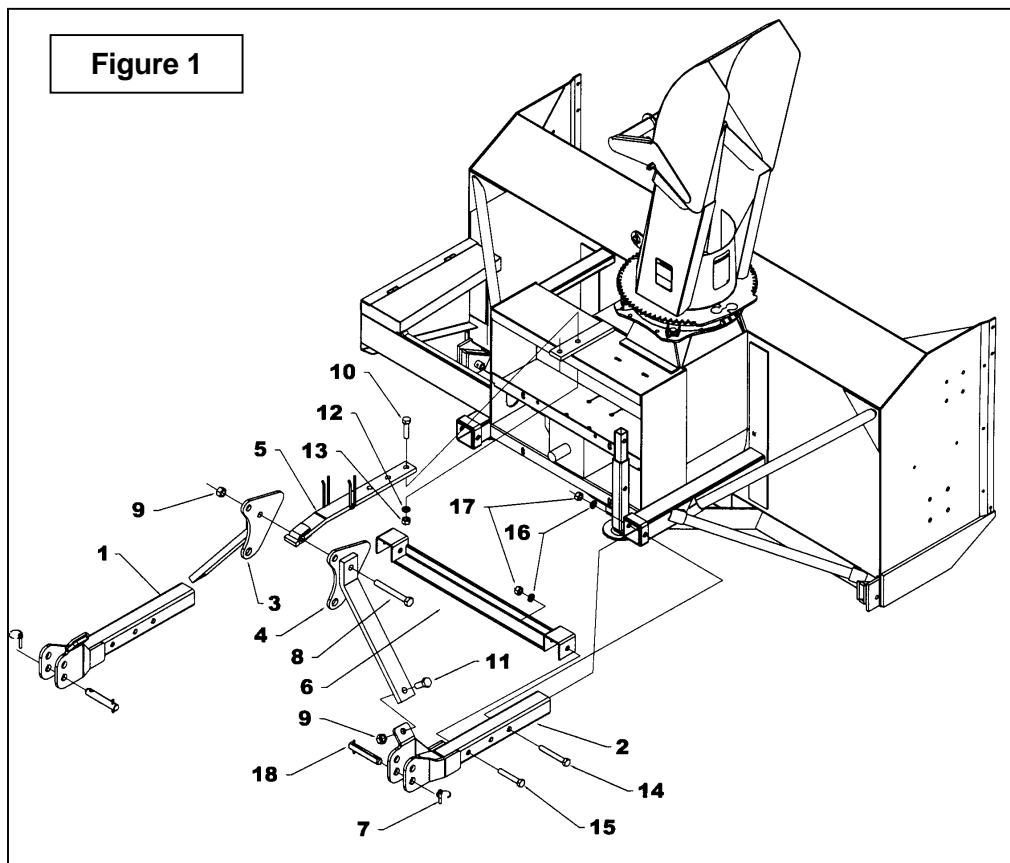
NOTE: The hitches have two holes to adjust the distance between the tractor and the snowblower.

2. Fasten the two hitches (items 3-4) to the lower hitches (items 1-2) as illustrated using two 7/8" NC x 2 1/2" bolts and 7/8" stover nuts (items 11-9).
3. Fasten each hitch (items 3-4) to the upper hitch (item 5) using a 7/8" NC x 7" bolt and a 7/8" stover nut (items 8-9).

4. Attach upper hitch (item 4) to the snowblower as illustrated using two 3/4" NC x 3" bolts, 3/4" lockwashers and 3/4" hex. nuts (items 10-12-13).

5. Install the brace (item 6) on the lower hitches (items 1-2) using two 3/4" NC x 4 1/2" bolts lockwashers and nuts (items 15-16-17) inserting them in the holes closest to the hitches (item 3-4) and secure with lockwashers and nuts (item 16-17)..

NOTE: We recommend using the driveline chain when storing the snowblower.



ASSEMBLY

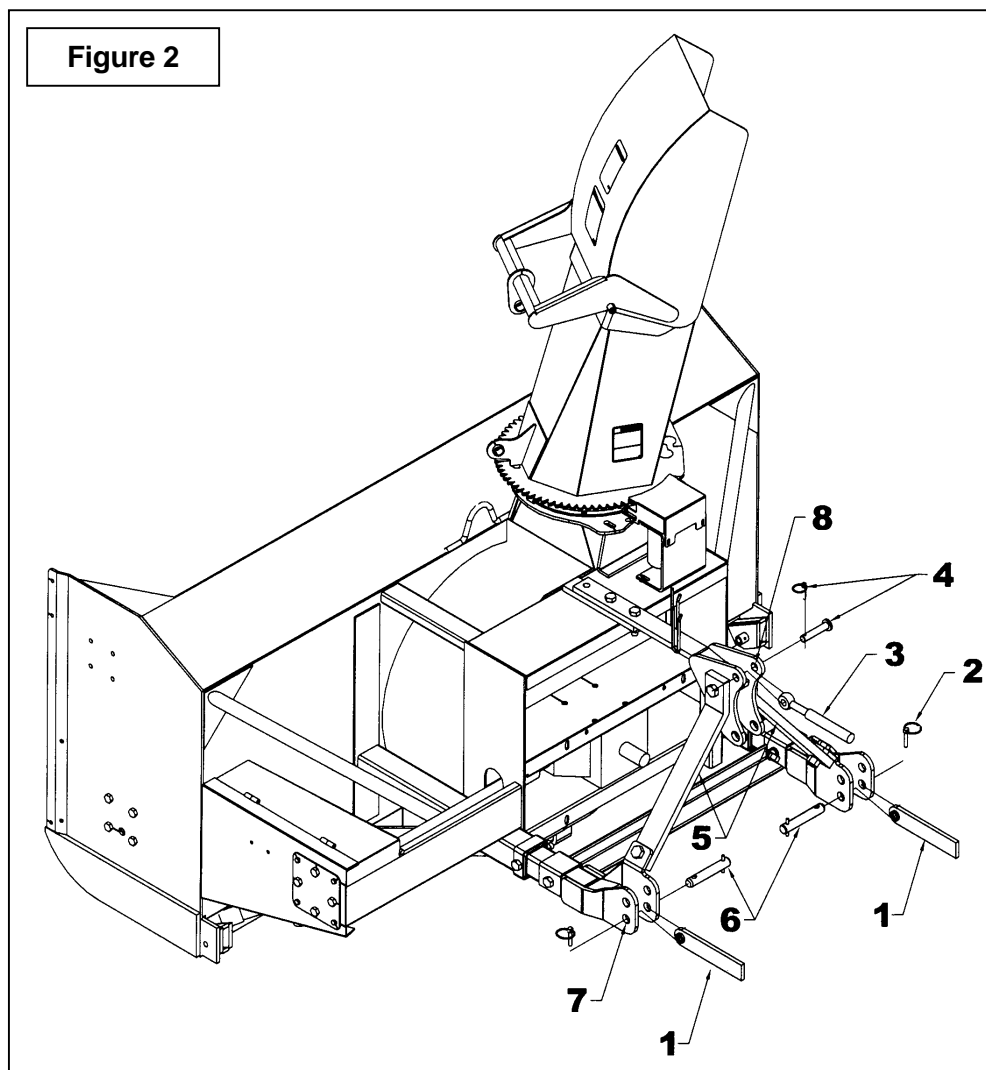
Snowblower Installation

(Figure 2)

1. Attach tractor lower hitch arms (item 1) to snowblower lower hitches (item 1) in the lower holes using the pins, the linchpins and spring pins (items 6-2).
2. Attach the tractor adjustable arm (item 3) to the upper hitch (item 8) using the tractor pins (item 4).
3. To level snowblower front to back, adjust using the tractor adjustable arm (item 3).
4. To level side to side, use leveling crank on right lower lift arm.
5. Set the tractor anti-sway turnbuckles so the snowblower does not sway. Be sure the turnbuckles clear the tractor tires.



WARNING: Before connecting snowblower driveline to tractor drive shaft, make sure driveline is not too long in raised, lowered or middle position. If the driveline is too long it must be shortened, to avoid damaged to tractor.



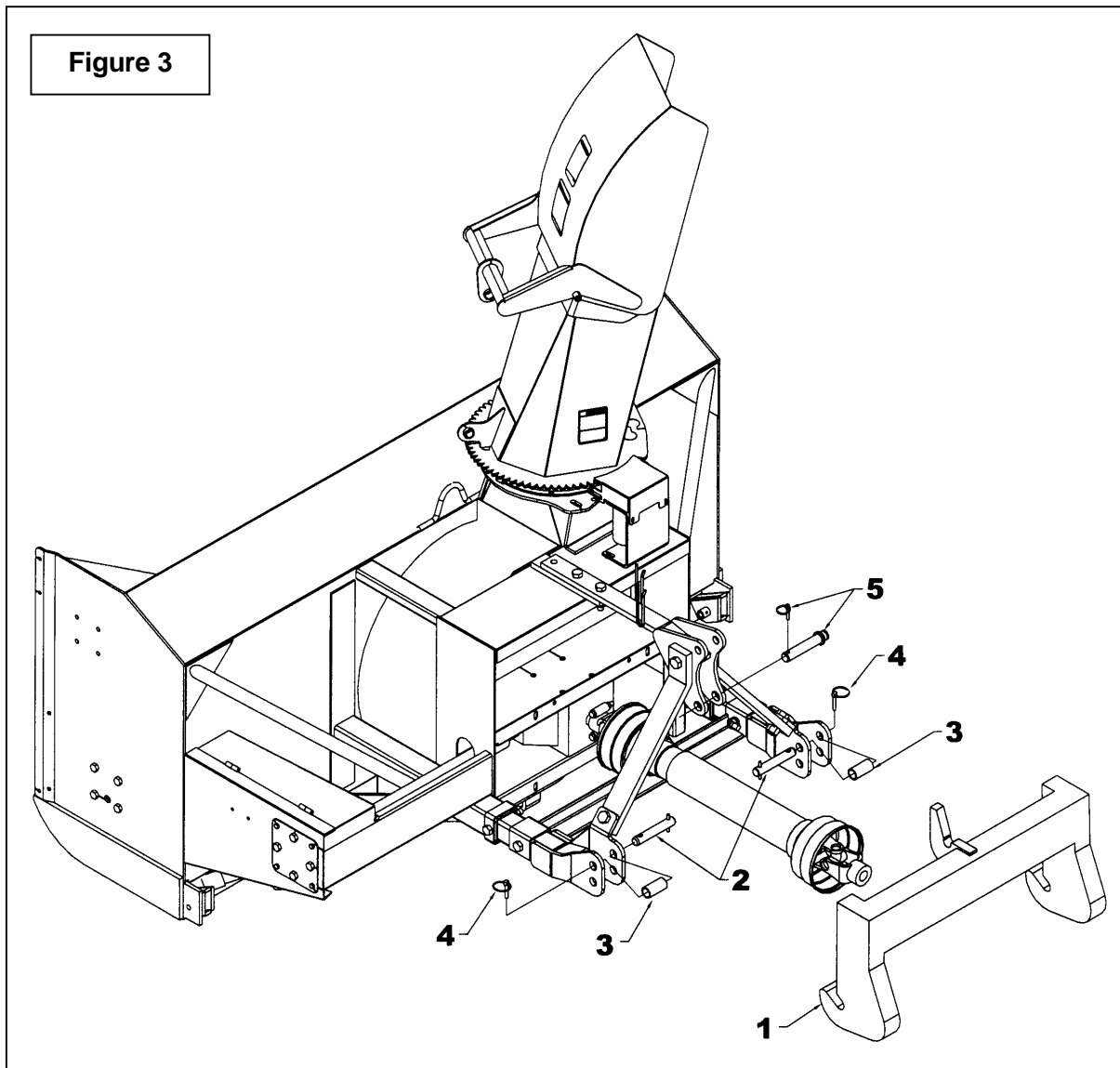
ASSEMBLY

Installation of the Snowblower with Quick Hitch (Figure 3)

1. Install the 1 1/8" x 6 1/2" lg Cat. 2 pins (item 2) by first inserting a bushing (item 3 not supplied) between each lower hitch plates and fasten with the linchpins (item 4).
2. Install pins (item 5 not supplied) in the lower hole of the hitches as illustrated on figure 3.
3. Install the driveline.



CAUTION: Before connecting snowblower driveline to tractor drive shaft, make sure driveline is not too long in raised, lowered and middle position. If the driveline is too long it must be shortened, to avoid damaged to tractor.



ASSEMBLY

IMPORTANT:

A proper initial installation will give you years of satisfactory service on your equipment. Please read carefully following instructions that have been specially included to help you and ensure you are satisfied with your purchase.

WARNING: Unfortunately, snowblowers will be faced with forgotten or hidden objects under the snow, such as : chain, tires, stones, pieces of wood, etc. In spite of all our efforts, machines are not built to resist all those conditions.

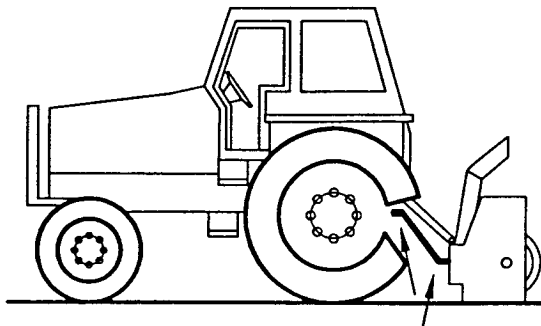
How to Determine Driveline Angles

IMPORTANT: To obtain the proper universal joint angles, it is recommended to adjust the three point hitch at the furthest point from the tractor recommended by the manufacturer

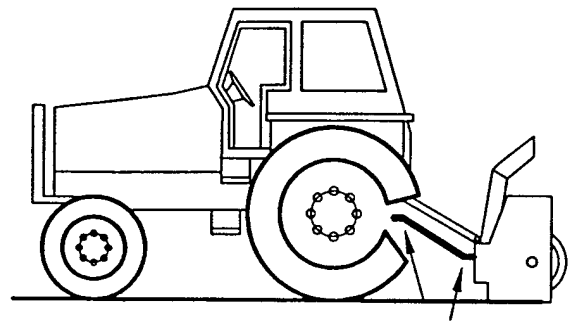
Danger: Tractors Too Big

It is dangerous to use a tractor that is too big and powerful. The tractor will always be able to overload the blower, even if the machine is already at maximum capacity. Furthermore, tractors being very high, the driveline angles will be excessive which means the universal joints will be very vulnerable and the life of the driveline will be dramatically reduced.

The universal joint angle is directly related with the life of driveline. In order to reduce the angle, it is necessary to increase the distance between the snowblower and the tractor.

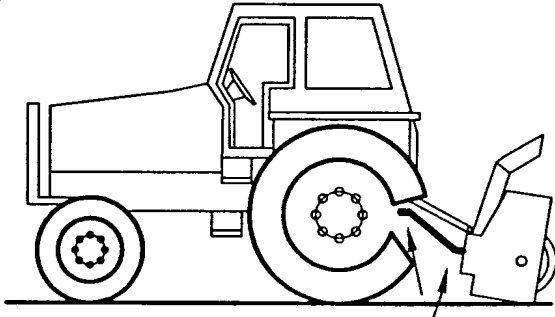


Angles of Driveline Joints Too Large
Avoid

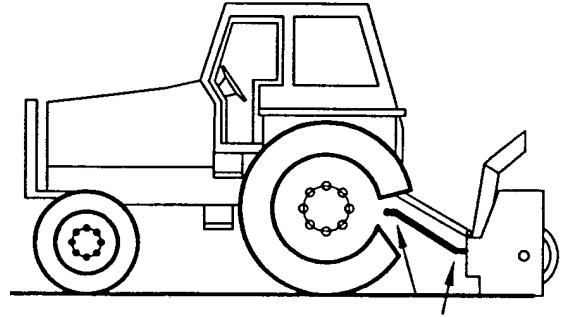


Reasonable Angles of Driveline Joints
Acceptable

ASSEMBLY



Unequal Angles at Driveline Joints
Avoid



Equal Angles at Driveline Joints
Recommended

Angles at Each End of Driveline

A popular habit is to change the snowblower angle in order to obtain a better scraping effect. This practice can become harmful to the driveline since the angle at each end is unequal. This results in a fan speed variation as well as a drastic increase of load on cross and bearings. To be avoided: It is recommended to always keep tractor driveline and snowblower input shaft parallel.

Determining Driveline Length

IMPORTANT: Before using the equipment, make sure the driveline is not too long. At working position, the two half drivelines must intersect each other sufficiently to insure maximum efficiency but there must not be any interference.

1. To determine the "L" length for your tractor model first find the "X" factor by measuring the horizontal distance between the end of the tractor's drive shaft and the end of the snowblower's driven shaft when the snowblower is in transport position as shown on Figure 6.
2. Choose in the table below the "Y" factor according to the tractor category and deduct that number from "X" to determine "L" which is the center-to-center length between the universal joints.

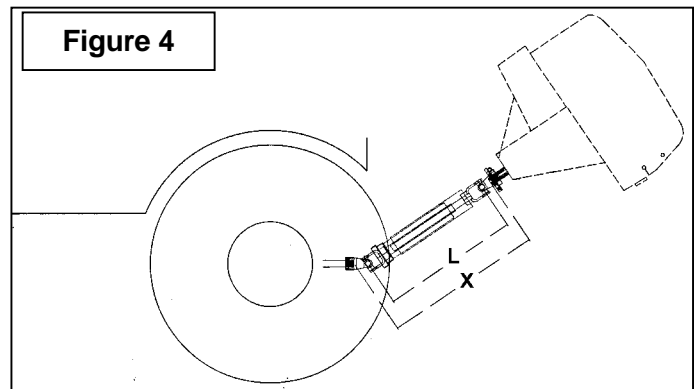


Figure 4

L = X - Y	
3 PTS HITCH CATEGORY	Y
Cat. 2	5 1/2"

ASSEMBLY

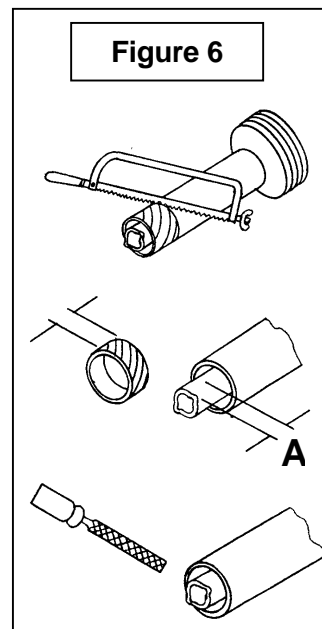
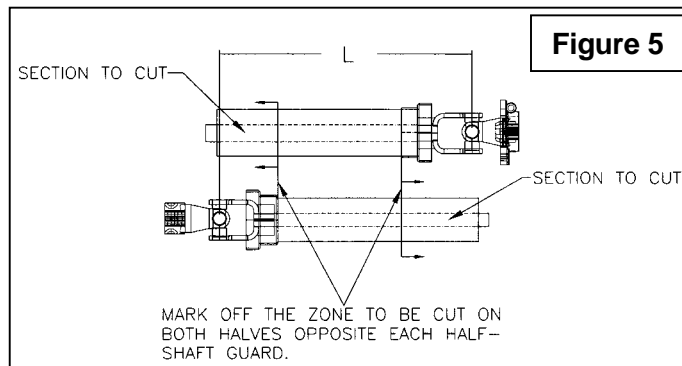
NOTE: Before cutting, make sure the two shafts intersect by at least 7 3/4" when in working position that is when the snowblower rests on the ground.

3. Hold the two half-shaft side by side and locate the "L" length between the two center-to-center half-shaft universal joints. Mark off the zone to be cut on both halves opposite each half-shaft guard as shown on Figure 7.
4. Cut off inner and outer guard tubes as well as the inner and outer telescopic sections.
5. Cut the guard a second time leaving the same distance between the end of the guard and the end of the shaft as existed before. To obtain the proper distance "A" shown on Figure 8, cut the guard according to the following table:

DISTANCE A	
Male PTO	Female PTO
2"	1 1/2"

6. File down tubes and remove chips.
7. Apply grease to inside of outer telescopic section.

⚠ IMPORTANT: Work with fully guarded shafts only!

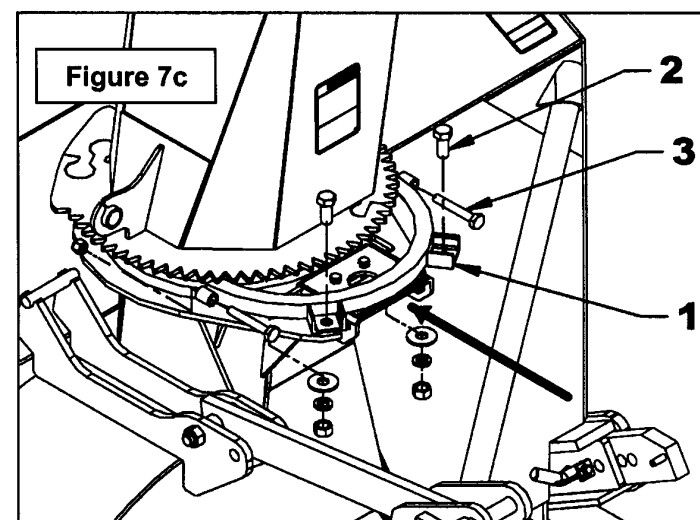
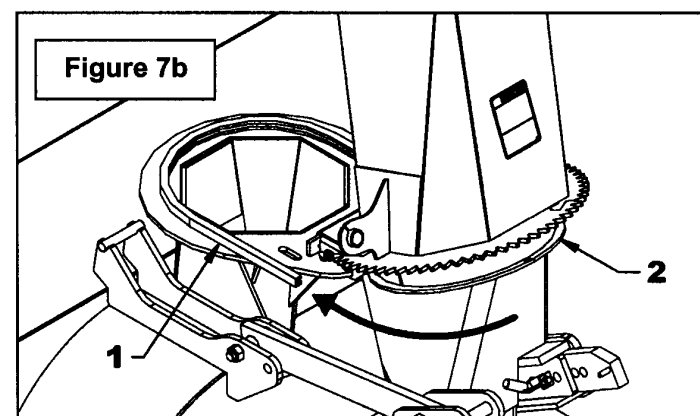
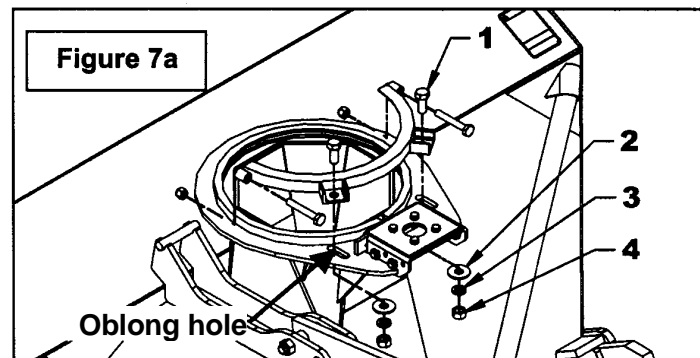
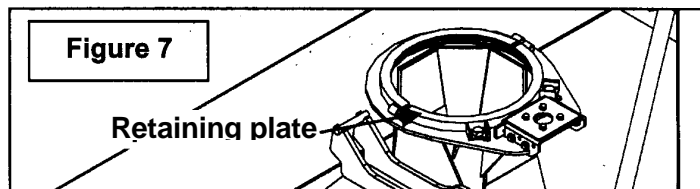


ASSEMBLY

Chute Installation

(Figures 7-7a-7b-7c-7d)

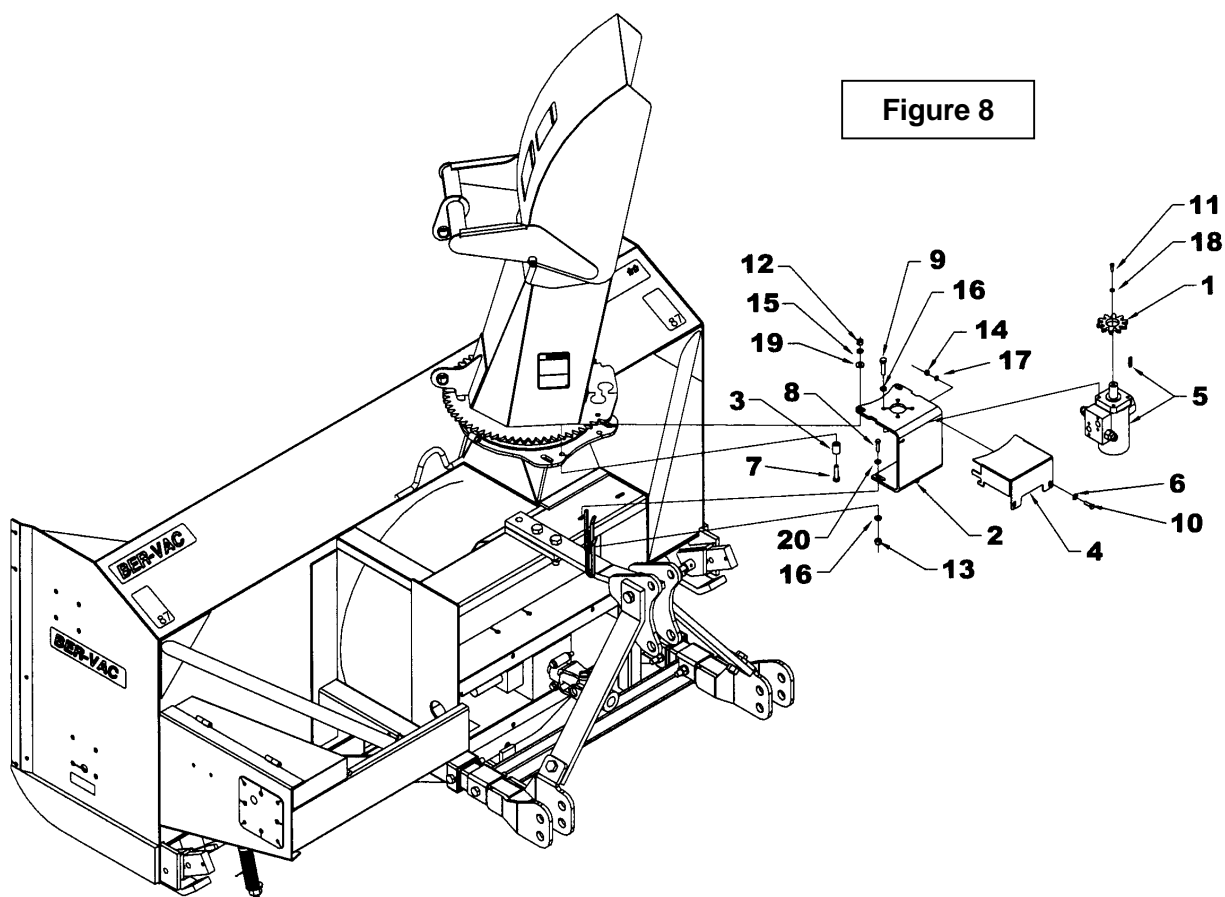
1. **Figure 7:** The snowblower, as delivered.(The model may differ)
2. **Figure 7a:** Remove the retaining plate by removing the two 5/8" x 1 1/2" bolts, 11/16" flange washers, 5/8" lockwashers and 5/8" nuts(items 1-2-3-4).
3. **Figure 7b:** Distribute equally the bushing opening (item 1) inserted in the retaining plate welded to the snowblower. Insert the chute in the bushing by sliding the chute base ring (item 2) in the bushing U (item 1). Push to maximum the chute toward the welded retaining plate.
4. **Figure 7c:** Install the retaining plate (item 1) on the snowblower by curving each bushing end inside the retaining plate. Align the vertical holes of the retaining plate with the oblong holes (fig.7a) and fix with the two 5/8" x 1 1/2" bolts (item 2), 11/16" flatwashers, 5/8" lockwashers and 5/8" nuts. Do not tighten.
5. **Figure 7c:** Insert two 1/2" x 3 1/4" bolts (item 3) to join together the two retaining plates. Slightly hammer alternatively on the two bolt heads to bring closer the two retaining plates. If the retaining plate move back after hammering, screw slightly the 5/8" x 1 1/2" bolts (item 2). When the bolt ends (item 3) sufficiently exceed the holes, fix with two 1/2" nylon insert lock nut until the two retaining plates are approximately 1/4" far apart.
6. **Figure 7c:** Tighten the 1/2" x 3 1/4" bolts (item 3) to reduce the gap between retaining plates until chute turns with a slight resistance.
7. **Figure 7c:** Tighten securely the two 5/8" x 1 1/2" nuts (item 2) according to the **Torque Specification Table**.



ASSEMBLY

Hydraulic Rotation by Motor – 8164A (Figure 8)

1. Fasten the motor (item 5) placing the hydraulic ports towards the center of the snowblower, as shown on the figure. Secure using four $3/8"$ x $3/4"$ bolts, lockwashers (item 9-16). (Tighten according to the Torque Specification Table located at the end of the manual).
2. Place the motor gear (item 1) on top of the motor, with hub facing down. Fasten the gear in place with a $1/4"$ NC x $5/8"$ bolt and a $1/4"$ lockwasher (item 11-18). Tighten firmly.
3. Install the motor support (item 2) on the backside of the chute base, secure with two $3/8"$ x $1\ 1/4"$ bolts, $7/16"$ flat washers, lockwashers and nuts (items 8-20-16-13). Do not tighten immediately.
4. Attach the upper part of the support with two $1/2"$ x $3"$ bolts, two $9/16"$ flat washers, spacers, lockwashers and nuts (items 7-19-3-15-12). Do not tighten immediately.
5. Correct mounting of the system will level the gears.
6. Adjust the gears with a distance of $1/32"$ to $1/16"$. Tighten the four nuts (items 7-8). Tighten firmly.
7. Connect the hydraulic hoses to the motor, and make a trial test at a very low speed.
8. Evaluate the adjustment according to the sound of the teeth. If they produce a loud noise when making contact, it means that the pinion and gear need to be closer. Readjust and repeat the operation until you hear a regular and even sound.
9. Install the cover (item 4) with two $5/16"$ x $1"$ bolts, two $5/16"$ flat washers, lockwashers and nuts (items 10-6-17-14). Tighten all bolts securely, according to the Torque Specification Table.
10. Grease regularly the gears to prevent premature wear and rust on contact points.



ASSEMBLY

Driveline Installation (Figure 9)

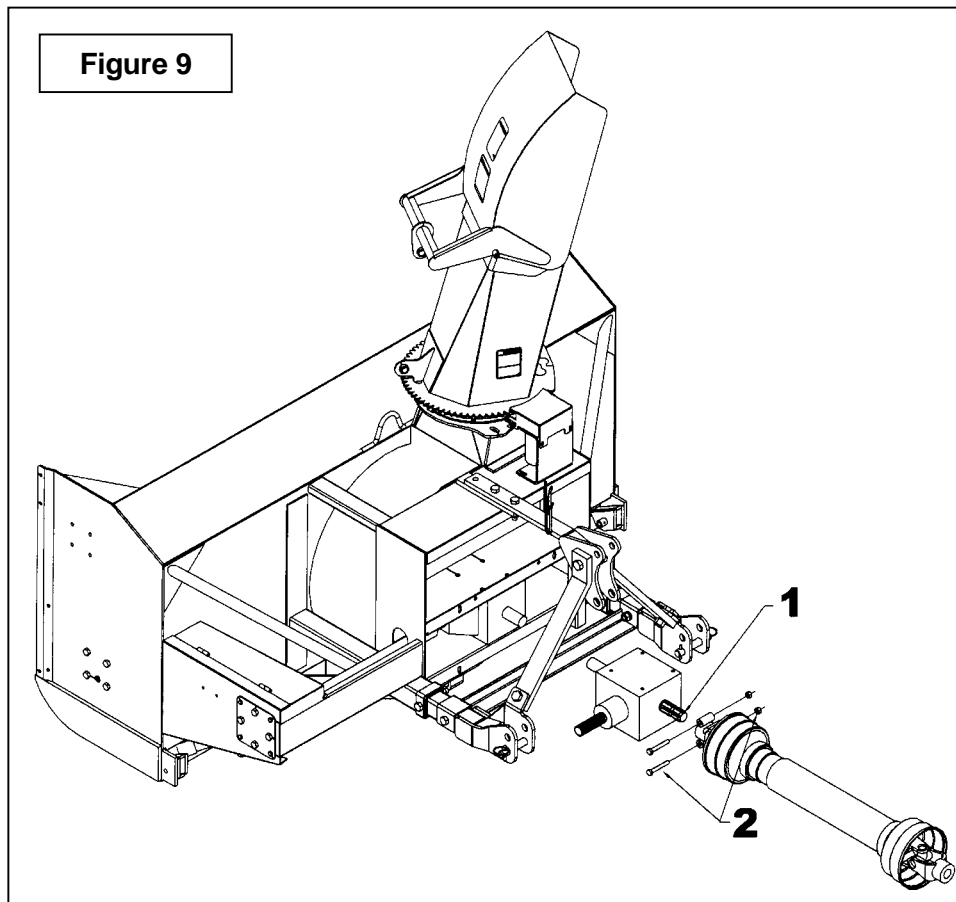
1. Remove paint from snowblower gearbox drive shaft (item 1) and grease driveline sliding surfaces and yoke.
2. Remove the two bolts of the yoke (item 2) and slide driveline yoke over drive shaft using sliding action of the driveline. Make sure the driveline is well secured to the drive shaft by replacing the two bolts and tightening them according to the torque specification table.
3. Connect driveline to tractor drive P.T.O., making sure the driveline is well secured to the tractor.
4. Secure driveline safety chain to tractor master shield to prevent driveline shield from rotating.
5. Before operating the snowblower, raise the parking stand from the ground.

NOTE: Depending on tractor used, it may be necessary to install front tractor weights to maintain front-end stability.

Removing Snowblower from Tractor:

Select a level surface to detach. Lower the parking stand. Remove driveline from the tractor's PTO. Detach top link using adjustment as required. Detach right lower link using adjustable link to assist if necessary. Detach left lower link.

IMPORTANT: To avoid damage to the snowblower, retorque all bolts after the first 10 hours of operation.



OPERATION

GENERAL PREPARATION

1. Read the operator's manual carefully before using the tractor and snowblower. Be thoroughly familiar with the controls and proper use of the equipment. Know how to stop the unit and disengage the controls quickly.
2. Make sure the snowblower is clear of snow before engaging the driveline.
3. Make sure the auger and fan operate freely.
4. Check the oil level in the worm gear box and if necessary, add SAE 80W90 gear oil, AGMA 5EP oil or equivalent.
5. Check the three shear bolts, one on each auger section and one between the fan and gearbox for proper tightness.
6. Adjust so that the snowblower skid shoes run level.
7. Wear adequate winter outer garments while operating equipment.

OPERATING CONTROLS

Deflector Adjustment

Set the angle of deflection according to the distance the snow must be thrown. To set the deflector angle, remove the hairpin from the adjustment tube, adjust the deflector to the appropriate angle and replace the hairpin.

Raising and Lowering the Snowblower

Move the three point lever down or forward to lower, and up or rearward to raise.

Work and Travel Speed

Working ground speed will depend on the depth and density of the snow to be cleared. Normally, ground speed will range from 4 to 7 MPH for light, dry snowfalls 3 to 6 inches, and 1 to 3 MPH for heavy, wet or drifted snow. To transport, disengage the drive shaft and raise the snowblower to full transport height.



WARNING: To avoid personal injury, be sure the tractor engine is off, the drive shaft disengaged, and all movement has stopped before making any adjustments.

Drive Shaft Operation

The mid drive shaft is activated by pulling up the drive shaft lever on left side of seat. Push down to disengage.

Skid Shoes Adjustment

Adjust the snowblower so that the skid shoes run level. Adjust the skid shoes according to the surface conditions so that stones are not thrown with the snow, and adjust upwards for smooth surfaces. Adjust both skid shoes to the same height to keep the cutting edge level.

To adjust skid shoes, loosen the bolts or remove the pin, and make the following adjustments:

Clearance between cutting edge and surface:

- *Level paved surface* : Adjust to 1/16" to 1/8"
- *Uneven or gravel surface*: Adjust to 1/2" and more according to size of gravel.

OPERATION

SNOW REMOVAL METHODS

When removing snow, do not use the snowblower as a dozer blade to push snow. Let the snowblower work its way through deep drifts. If the speed of your tractor is too fast, the snowblower may become overloaded and clog. For best results, raise the snowblower and remove a top layer of snow. A second pass with the snowblower will remove the remaining snow.

IMPORTANT : Use full RPM power when removing wet, sticky snow. Low RPM power will tend to clog the chute.

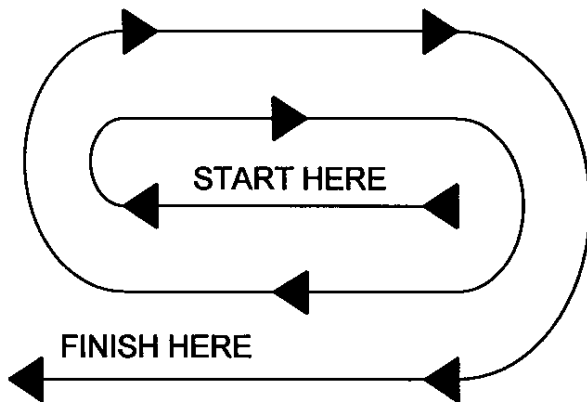


WARNING: Do not use hands or feet to unclog chute. Do not attempt to clear clogged chute of snow while tractor engine is running. If the chute clogs, disengage the drive shaft, shut off the tractor engine, remove the ignition key, wait for all movement to stop, and then clear the snow from the chute.

A definite pattern of operation is required to thoroughly clean the snow area. These patterns will avoid throwing snow in unwanted places as well as eliminating a second removal of snow.

PATTERN 1

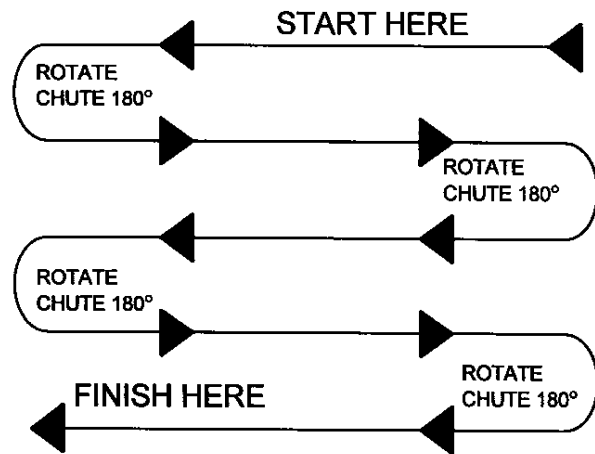
DISCHARGE SNOW BOTH SIDES



DISCHARGE SNOW BOTH SIDES

Where it is possible to throw the snow to the left and right (above), as on a long driveway, it is advantageous to start in the middle. Plow from one end to the other, throwing snow to both sides without changing the direction of the discharge guide

PATTERN 2



DISCHARGE SNOW THIS SIDE ONLY

If the snow can only be thrown to one side of the driveway or sidewalk (above), start on the opposite side. At the end of the first pass, rotate the discharge guide 180 degrees for the return pass. At the end of each succeeding pass, rotate the discharge guide 180 degrees to maintain direction of throw in the same area.

MAINTENANCE

MAINTENANCE

Shearbolts

Check the shearbolts indicated on the figure below at frequent intervals for proper tightness to be sure the blower is in safe working condition. If the shearbolts need replacement, use the following parts only:

Drive Shaft:

Shearbolt hex. 5/16" NC x 2" gr.5 PTD, 5/16" nut NC and 5/16" lockwasher.

Driveline:

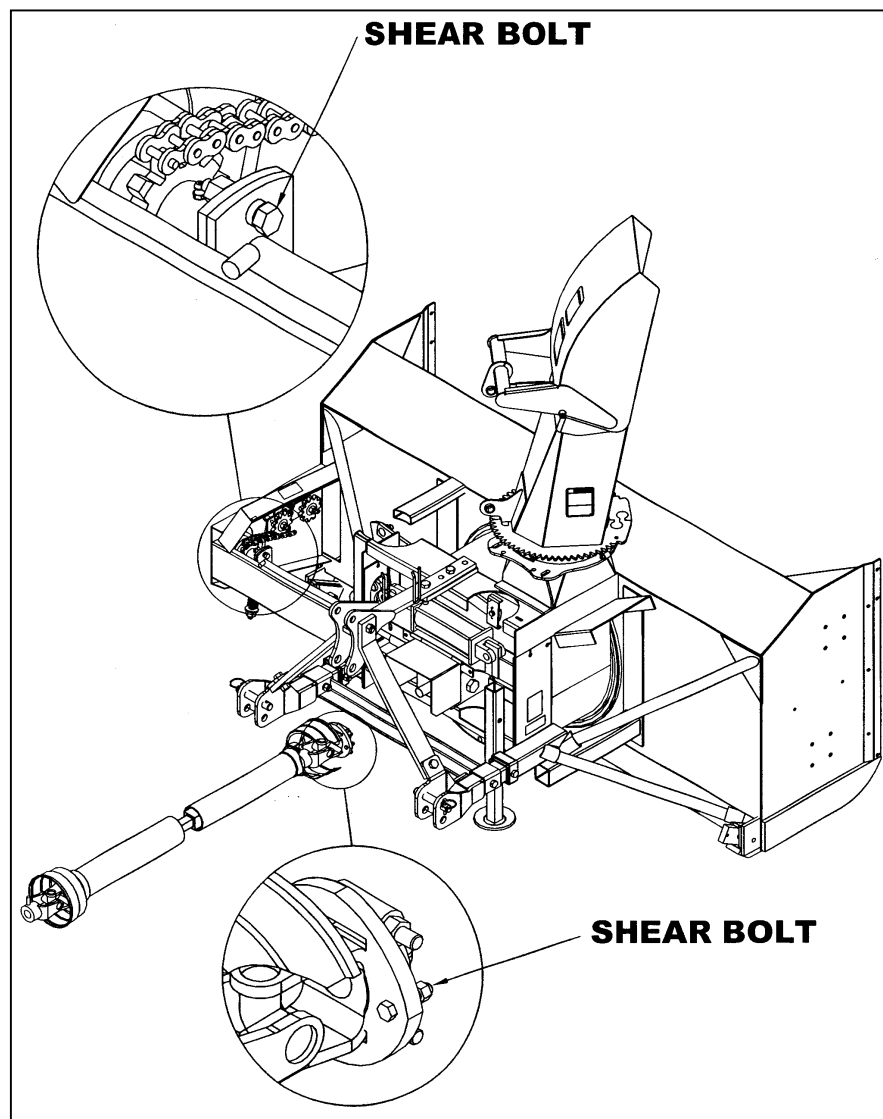
Bolt M12 x 1.75mm x 65mm long gr.10.9 PTD including nut. Part # 662296.



WARNING: Provide adequate blocking before working under the snowblower when in the raised position.

Driveline

IMPORTANT: When the snowblower is not used for more than two weeks, perform driveline maintenance and always store it in a dry place, away from bad weather conditions.

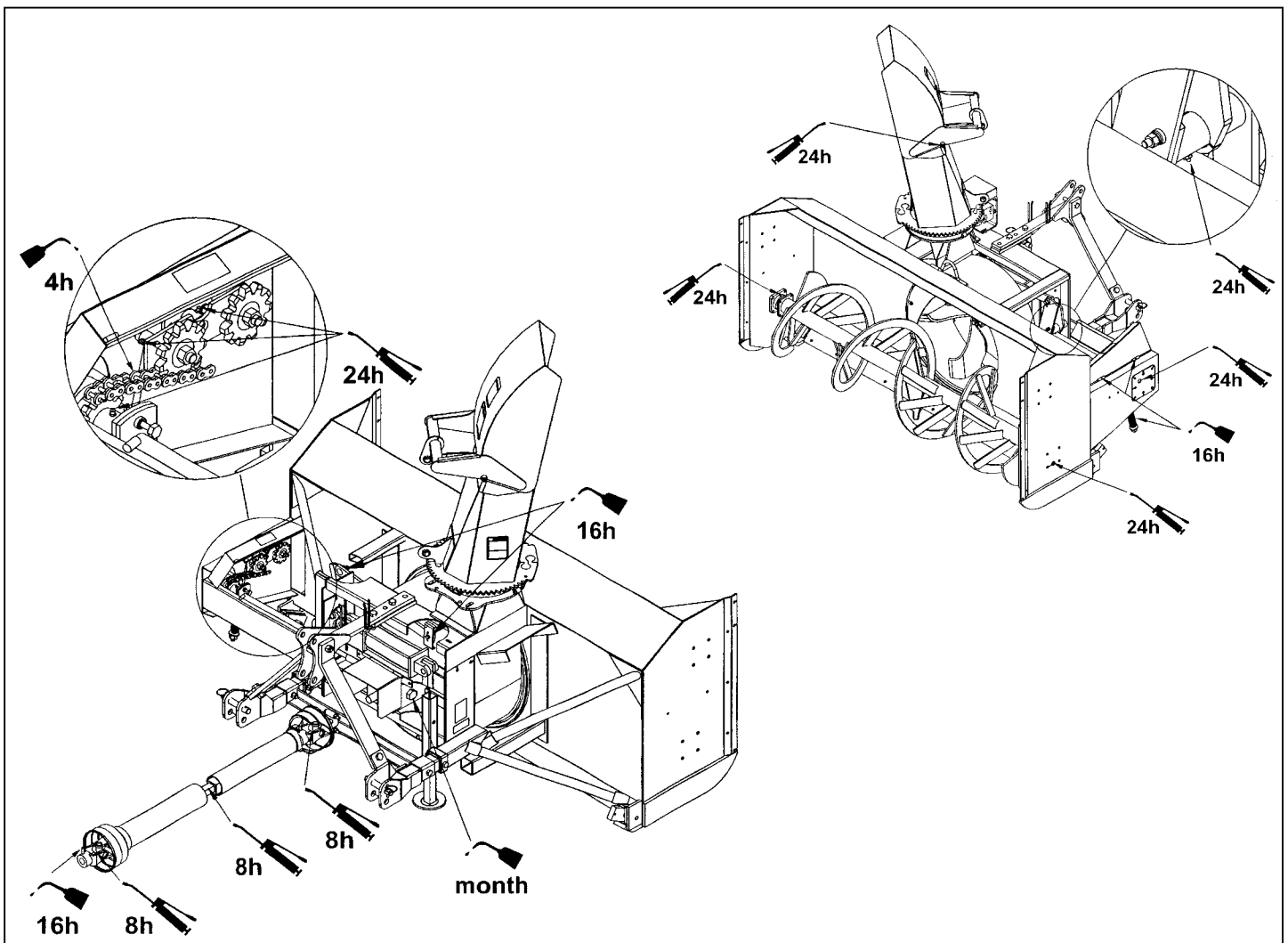


MAINTENANCE

LUBRICATION

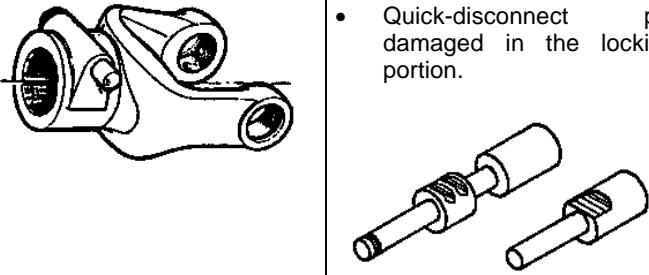
Use oil or a grease gun and lubricate as follows:

DESCRIPTION	INTERVAL	LUBRICATION REQUIRED
Driveline	8 hours	Grease each universal joint. Separate the sliding parts and cover each one of them with grease
	16 hours	Oil the push pins
Chain	4 hours and after each operation	Lubricate with chain lube
	24 hours	Grease chain idler
Drive Shaft	24 hours of operation	Grease fitting on shear plate
Gearbox	Every month	Check oil level. If needed, add AGMA 5EP extreme pressure oil, SAE 80W90 gear oil or equivalent.
	Once a year	Replace oil
Bearing	24 hours of operation	Grease each auger bearing
Rotary drum	24 hours of operation	Grease lever

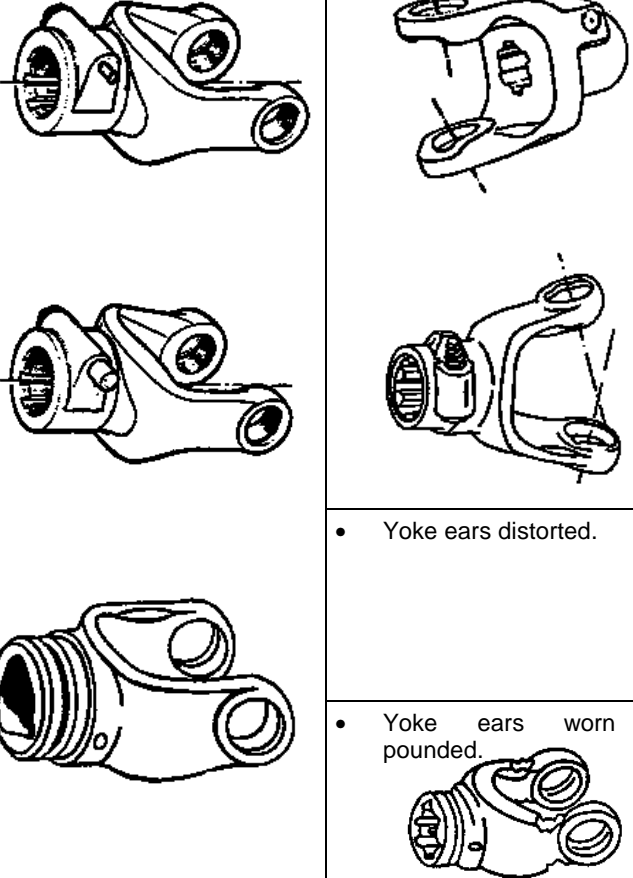


MAINTENANCE

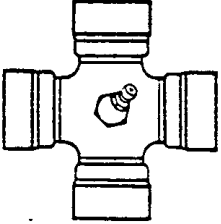
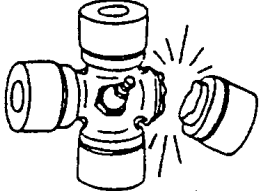
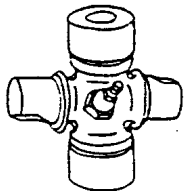
DRIVELINE TROUBLESHOOTING

	AVOIDABLE DAMAGES	POSSIBLE CAUSES	CORRECTIVE ACTIONS
<p>QUICK-DISCONNECT YOKE</p> 	<ul style="list-style-type: none"> Quick-disconnect pin tight or completely seized. Quick-disconnect pin damaged (broken or bent) Quick-disconnect pin damaged in the locking portion. 	<ul style="list-style-type: none"> Quick-disconnect pin dirty (insufficient maintenance). Quick-disconnect pin defective (forced engagement, incorrect handling) Excessive shaft length. Axial loads too high. 	<ul style="list-style-type: none"> Clean, oil and follow service instructions. Replace quick-disconnect pin. Shorten shaft length (cut both telescopic tubes as well as shield and remove burrs). Replace quick-disconnect pin. Clean and grease telescopic tubes, and replace both tubes, if necessary. Replace quick-disconnect pin.


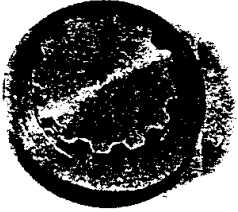
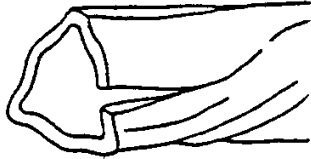

Note: Quick-disconnect pins must be cleaned and greased every 16 hours.

	AVOIDABLE DAMAGES	POSSIBLE CAUSES	CORRECTIVE ACTIONS
<p>YOKE</p> 	<ul style="list-style-type: none"> Yoke ears deformation 	<ul style="list-style-type: none"> Excessive shaft length. Axial loads too high. Excessive working angle and torque. 	<ul style="list-style-type: none"> Shorten shaft length (cut both telescopic tubes as well as shields and remove burrs). Replace defective yokes. Clean and grease telescopic tubes, and replace both tubes, if necessary. Replace defective yokes. Verify compatibility between shaft and working conditions (torque vs. angle). Disengage tractor driveline during cornering or when lifting or lowering the implement. Change to a larger driveline size. Replace defective yokes.
	<ul style="list-style-type: none"> Yoke ears distorted. 	<ul style="list-style-type: none"> Overload caused by high starting and peak torques. 	<ul style="list-style-type: none"> Engage driveline more carefully. Use appropriate safety devices. Replace defective yokes.
	<ul style="list-style-type: none"> Yoke ears worn or pounded. 	<ul style="list-style-type: none"> Excessive working angle. 	<ul style="list-style-type: none"> Avoid excessive working angle. Disengage tractor driveline during cornering. Replace defective yokes.

MAINTENANCE

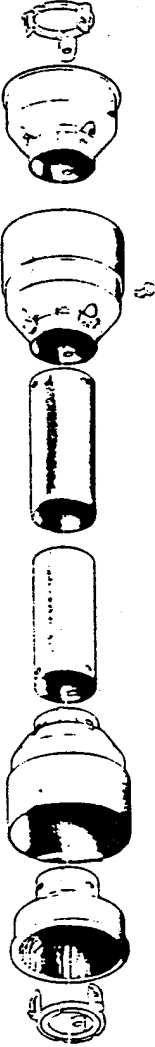
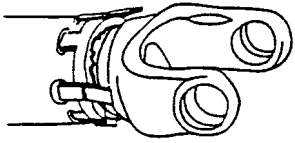
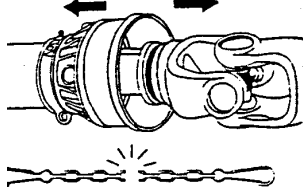
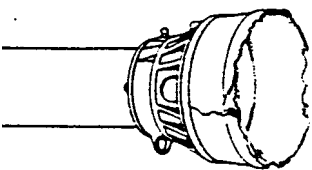
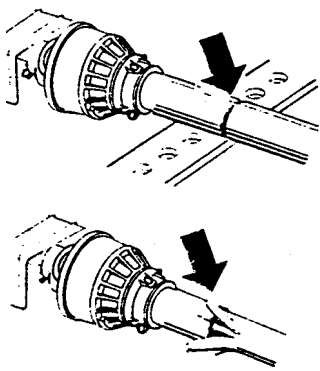
	AVOIDABLE DAMAGES	POSSIBLE CAUSES	CORRECTIVE ACTIONS
<p>CROSS KIT</p> 	<ul style="list-style-type: none"> Cross arms broken. 	<ul style="list-style-type: none"> Extreme torque peak or shock load. Axial loads too high. 	<ul style="list-style-type: none"> Use appropriate safety device. Change to a larger driveline size. Shorten driveline shaft. Replace defective cross bearings.
	<ul style="list-style-type: none"> Bearing caps turning in their cross journal. Overheated bearing caps. 	<ul style="list-style-type: none"> Excessive continuous torque and/or excessive working angle. Inadequate greasing. 	<ul style="list-style-type: none"> Verify compatibility between shaft and working conditions. Carefully follow greasing instructions. Replace defective cross bearings.
	<ul style="list-style-type: none"> Accelerated wear of cross kit. 	<ul style="list-style-type: none"> Excessive continuous torque and/or excessive working angle. Inadequate greasing. 	<ul style="list-style-type: none"> Verify compatibility between shaft and working conditions. Carefully follow greasing instructions. Replace defective cross bearings.

Note: Cross bearings must be greased every 8 working hours.

	AVOIDABLE DAMAGES	POSSIBLE CAUSES	CORRECTIVE ACTIONS
<p>TELESCOPIC TUBES</p>  	<ul style="list-style-type: none"> Telescopic tubes failure or twisting. 	<ul style="list-style-type: none"> Extreme torque peak or shock load. Short tube engagement. 	<ul style="list-style-type: none"> Use appropriate safety device. Change to a larger driveline size. Replace the driveline drive shaft with one having adequate length. Replace defective tubes.
	<ul style="list-style-type: none"> Accelerated wear of telescopic tubes. 	<ul style="list-style-type: none"> Extreme load when sliding. Short tube engagement. Inadequate greasing. Dirt 	<ul style="list-style-type: none"> Change to a driveline with rilsan coated inner tube. Replace the driveline with one having adequate length. Carefully follow greasing instructions. Replace defective tubes.

Note: Telescopic tubes must be cleaned and greased every 8 working hours.

MAINTENANCE

SHIELD	AVOIDABLE DAMAGES	POSSIBLE CAUSES	CORRECTIVE ACTIONS
	<ul style="list-style-type: none"> Excessive wear of shield bearings. 	<ul style="list-style-type: none"> Insufficient lubrication. Incorrect chain mounting. Shield interfering with implement. 	<ul style="list-style-type: none"> Follow lubrication instructions. Mount chain to allow maximum angularity. Avoid contact of the shields with fixed parts of the machine or tractor. Replace shield bearings.
	<ul style="list-style-type: none"> Chain moving or failure. 	<ul style="list-style-type: none"> Shield interfering with implement. Incorrect chain mounting. 	<ul style="list-style-type: none"> Avoid contact of the shields with fixed parts of the machine or tractor. Mount chain to allow maximum angularity. Replace defective parts.
	<ul style="list-style-type: none"> Shield cone damaged. 	<ul style="list-style-type: none"> Shield cone in contact with components on the tractor and/or implement. Excessive angularity. 	<ul style="list-style-type: none"> Eliminate interference between Shield cones and any part on the tractor and/or implement. Avoid excessive angle during cornering or when lifting or lowering the implement. Replace damaged Shield cones.
	<ul style="list-style-type: none"> Shield tubes damaged (deformed and split at one side). 	<ul style="list-style-type: none"> Shields in contact with components on the tractor and/or implement. Shield tubes overlap too short or no overlap at all with extended driveline. 	<ul style="list-style-type: none"> Eliminate interference between Shield cones and any part on the tractor and/or implement. Replace damaged tubes. Adjust Shield tubes length with longer tubes.

Note: Shield bearings must be greased every 8 working hours.

PARTS

INTRODUCTION

All parts are illustrated in "exploded views" which show the individual parts in their normal relationship to each other. Reference numbers are used in the illustrations. These numbers correspond to those in the "Reference Number" (REF) column, and are followed by the description and quantity required.

O/L - "Obtain Locally" in the part number column indicates common hardware that is available at your local hardware supply.

All reference to right and left, forward or rearward, are from the operator seat, looking at the machine while operating.

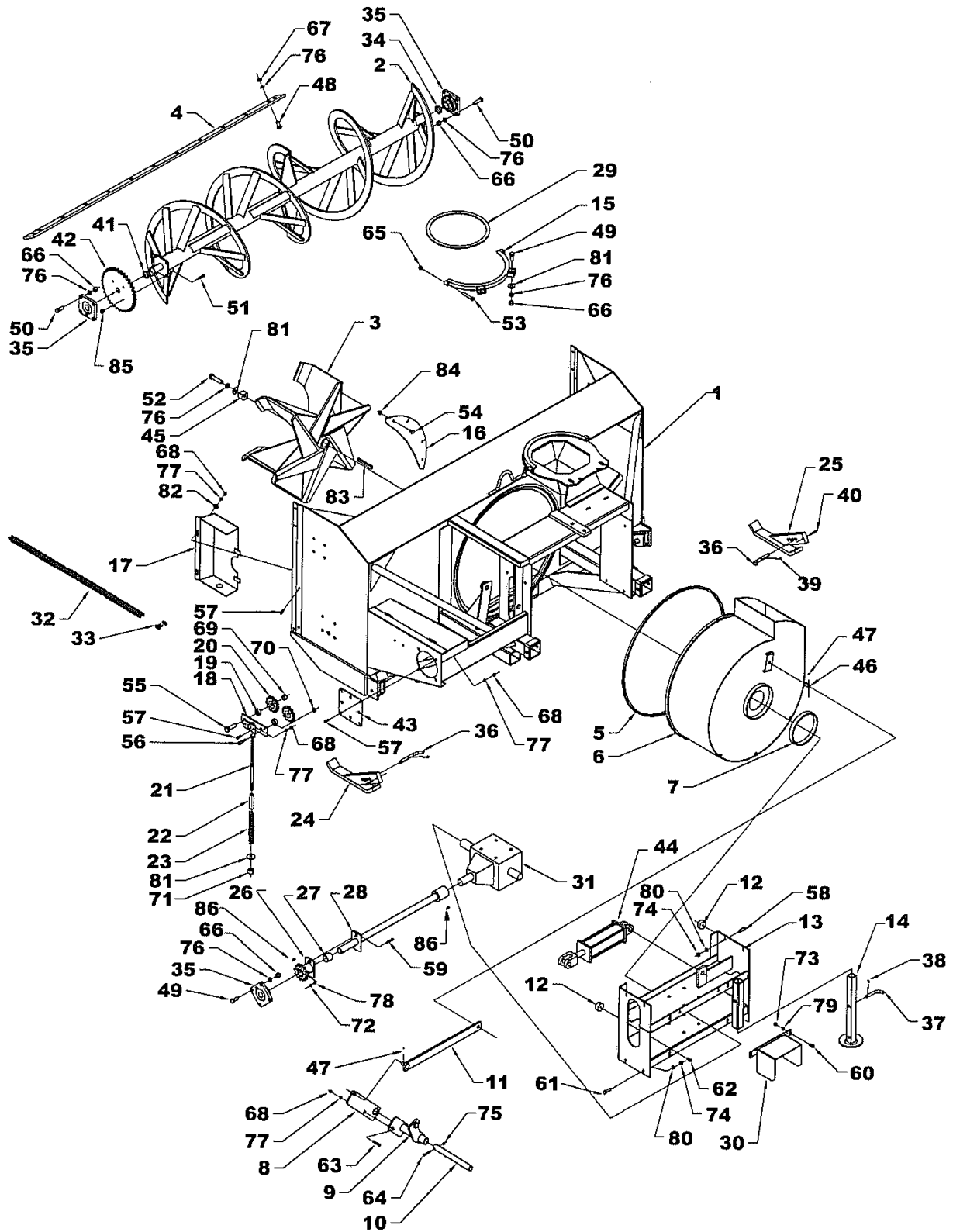
Orders must give the complete description, correct part number, the total amount required, the serial number, the method of shipment and the shipping address.

The manufacturer reserves the rights to change, modify, or eliminate from time to time, for technical or other reasons, certain or all data, specifications, or the product or products themselves, without any liability or obligation.

The parts listed here are available through your local dealer.

PARTS

SA92TRC – SA98TRC – SA104TRC SNOWBLOWER



PARTS

SA92TRC – SA98TRC – SA104TRC SNOWBLOWER

REF.	DESCRIPTION	QTY	# PART		
			SA92TRC	SA98TRC	SA104TRC
1	Housing	1	---	---	---
2	Auger	1	664409	664431	662382
3	Fan 6 blades	1	662324	662324	662324
4	Cutting edge	1	666324	666329	666387
5	Anti-friction strip 3/8" x 1/2"	1	662378	662378	662378
6	Rotary drum	1	667203	667203	667203
7	Anti-friction strip 3/8" x 1"	1	661988	661988	661988
8	Rotation arm	1	662246	662246	662246
9	Rotation lever	1	662417	662417	662417
10	Rotation rod	1	662418	662418	662418
11	Rotation flatbar	1	662347	662347	662347
12	Rotary drum guide	2	659078	659078	659078
13	Rear drawer	1	662340	662340	662340
14	Parking stand	1	662252	662252	662252
15	Retaining plate	1	665988	665988	665988
16	Restriction plate	1	667202	667202	667202
17	Front guard	1	664895	664895	664895
18	Double chain idler	1	664825	664825	664825
19	Idler spacer 11/16" lg	2	664913	664913	664913
20	Idler sprocket #80A11	2	654756	654756	654756
21	Idler lever	1	664840	664840	664840
22	Spring guide	1	664841	664841	664841
23	Compression spring \varnothing 1.300 x 8"	1	664876	664876	664876
24	Left adjustable skid shoe	1	662250	662250	662250
25	Right adjustable skid shoe	1	662251	662251	662251
26	Shear plate	1	664915	664915	664915
27	Bushing	2	665127	665127	665127
28	Drive shaft	1	664914	664926	664933
29	Rotation bushing 1/4" x 3/4" "UHMW"	1	667723	667723	667723
30	Driveline guard	1	663675	663675	663675
31	Gearbox	1	662281	662281	662281
32	Chain #80HC x 91 links & connecting link	1	664921	664921	664921
33	Connecting link #80HC	1	3300007	3300007	3300007
34	Spacer	1	662368	662368	662368
35	Bearing \varnothing 1 1/2", 4 holes	3	4300018	4300018	4300018
36	Skid shoe pin	2	662400	662400	662400
37	Parking stand pin	1	30767	30767	30767
38	Hairpin 4mm x 80mm, PTD	1	O/L	O/L	O/L
39	Hairpin 3/16" x 3 3/4", PTD	2	O/L	O/L	O/L
40	Spring pin 3/8" x 2" lg., PTD	2	O/L	O/L	O/L
41	Spacer	1	663672	663672	663672
42	Sprocket #80A34, 1 1/2" hole	1	662353	662353	662353
43	Drive support	1	666326	666326	666326

PARTS

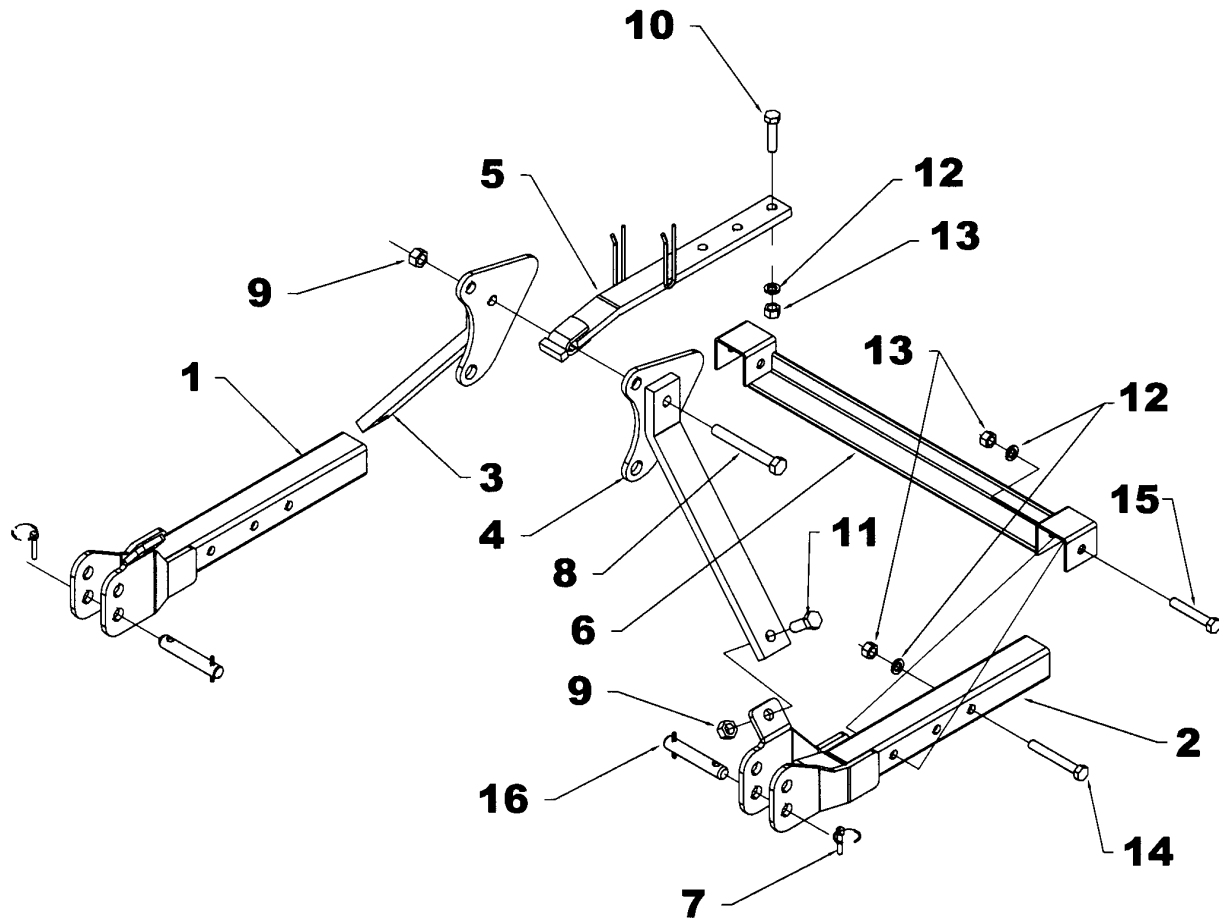
SA92TRC – SA98TRC – SA104TRC SNOWBLOWER

REF.	DESCRIPTION	QTY	# PART		
			SA92TRC	SA98TRC	SA104TRC
44	Cylinder ø3" x 8"	1	654129	654129	654129
	Seal kit	1	664176	664176	664176
	Flat washer 1 1/16" hole, PTD	2	O/L	O/L	O/L
45	Fan washer	1	662351	662351	662351
46	Rotation pin	1	662248	662248	662248
47	Cotter pin ø3/16 x 1 1/2" lg., PTD	2	O/L	O/L	O/L
48	Carriage bolt 5/8"NC x 1 1/2"lg, gr.5 PTD	13	O/L	O/L	O/L
49	Bolt hex. 5/8"NC x 1 1/2" lg., gr.5 PTD	6	O/L	O/L	O/L
50	Bolt hex. 5/8"NC x 1 3/4" lg., gr.5 PTD	8	O/L	O/L	O/L
51	Bolt hex. 7/16"NC x 1 1/2" lg., gr.5 PTD	4	O/L	O/L	O/L
52	Bolt hex. 5/8"NC x 3 1/4" lg., gr.5 PTD	1	O/L	O/L	O/L
53	Bolt hex. 1/2"NC x 3 1/4" lg., gr.5 PTD	2	O/L	O/L	O/L
54	Carriage bolt 7/16"NC x 1"lg, gr.5 PTD	4	O/L	O/L	O/L
55	Bolt hex. 3/4"NC x 2 1/2" lg., gr.5 PTD	2	O/L	O/L	O/L
56	Shoulder screw 1/2" x 3/4", 3/8"NC	1	664577	664577	664577
57	Bolt hex. 3/8"NC x 1" lg., gr.5 PTD	8	O/L	O/L	O/L
58	Bolt hex. 1/2"NC x 1 1/4" lg., gr.5 PTD	4	O/L	O/L	O/L
59	Bolt hex. 5/16"NC x 2" lg., gr.5 PTD	1	O/L	O/L	O/L
60	Bolt hex. 7/16"NC x 1" lg., gr.5 PTD	2	O/L	O/L	O/L
61	Bolt hex. 1/2"NC x 1 3/4" lg., gr.5 PTD	4	O/L	O/L	O/L
62	Cutting screw 3/8"NC x 1"lg. gr.5 PTD	2	659079	659079	659079
63	Bolt hex. 3/8"NC x 2" lg., gr.5 PTD	1	O/L	O/L	O/L
64	Bolt hex. 5/16"NC x 2 1/4" lg., gr.5 PTD	1	O/L	O/L	O/L
65	Nylon insert locknut 1/2"NC, PTD	2	O/L	O/L	O/L
66	Nut hex. 5/8"NC, PTD	14	O/L	O/L	O/L
67	Nut hex. thin 5/8"NC, PTD	13	O/L	O/L	O/L
68	Nut hex. 3/8"NC, PTD	9	O/L	O/L	O/L
69	Stover nut 3/4"NC, PTD	2	O/L	O/L	O/L
70	Stover nut 3/8"NC, PTD	1	O/L	O/L	O/L
71	Stover nut 5/8"NC, PTD	1	O/L	O/L	O/L
72	Nut hex. 5/16"NC, PTD	1	O/L	O/L	O/L
73	Nut hex. 7/16"NC, PTD	2	O/L	O/L	O/L
74	Nut hex. 1/2"NC, PTD	8	O/L	O/L	O/L
75	Stover nut 5/16"NC, PTD	1	O/L	O/L	O/L
76	Lockwasher 5/8" PTD	28	O/L	O/L	O/L
77	Lockwasher 3/8" PTD	9	O/L	O/L	O/L
78	Lockwasher 5/16" PTD	1	O/L	O/L	O/L
79	Lockwasher 7/16" PTD	2	O/L	O/L	O/L
80	Lockwasher 1/2" PQÉ	8	O/L	O/L	O/L
81	Flat washer 11/16" hole PTD	4	O/L	O/L	O/L
82	Flat washer 7/16" hole, PTD	2	O/L	O/L	O/L
83	Key 1/2" x 1/2" x 4 3/4" lg	1	662380	662380	662380
84	Serrated flange nut 1/2" NC PTD	4	O/L	O/L	O/L
85	Stover lock nut 7/16" NC PTD	4	O/L	O/L	O/L
86	Grease fitting 1/4" NF	2	654106	654106	654106

PARTS

THREE POINT HITCH

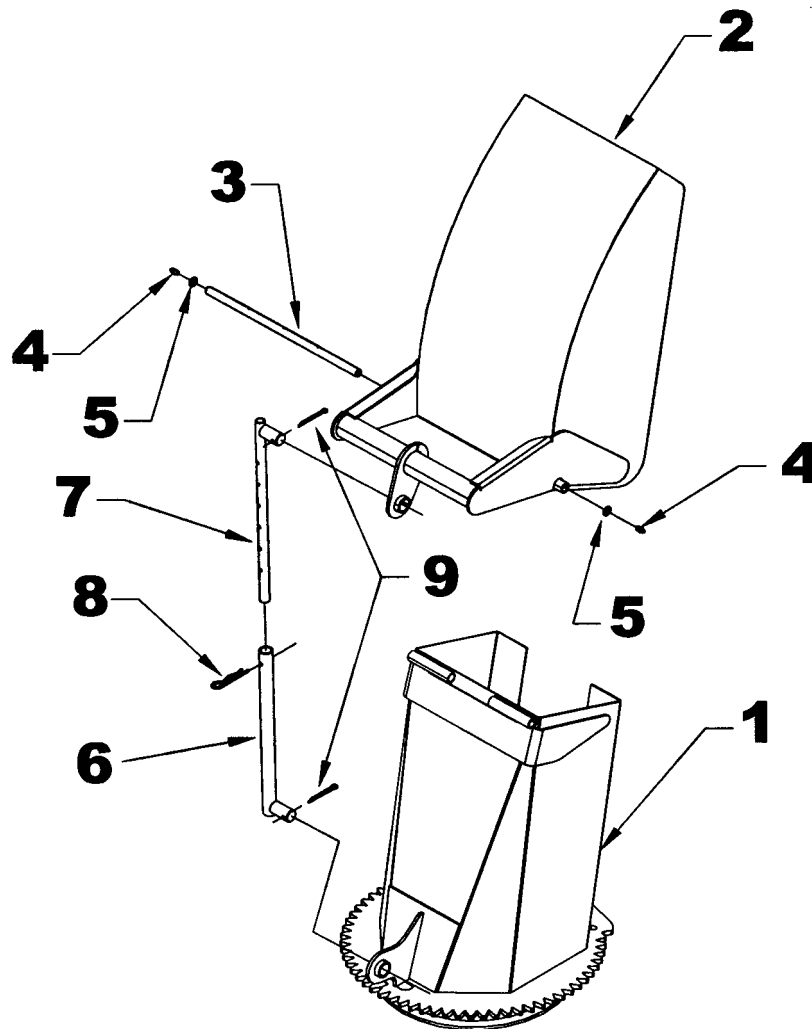
REF.	DESCRIPTION	QTY	PART #
1	Lower hitch - LH	1	667198
2	Lower hitch - RH	1	667197
3	Hitch - LH	2	667407
4	Hitch - RH	1	667408
5	Upper hitch	2	667406
6	Brace	1	664125
7	Linch pin 7/16" dia. PTD	2	O/L
8	Bolt hex. 7/8" NC x 7" gr.5 PTD	2	O/L
9	Nut stover. 3/4" NC PTD	3	O/L
10	Bolt hex. 3/4" NC x 3" gr.5 PTD	3	O/L
11	Bolt hex. 7/8" NC x 2 1/2" gr.5 PTD	2	O/L
12	Lockwasher 3/4" PTD	6	O/L
13	Nut hex. 3/4" NC PTD	6	O/L
14	Bolt hex. 3/4" NC x 5 1/2" gr.5 PTD	2	O/L
15	Bolt hex. 3/4" NC x 4 1/2" gr.5 PTD	2	O/L
16	Pin 1 1/8" x 6 1/2" lg Cat. 2, PTD	2	4600042



PARTS

STANDARD CHUTE – 8247

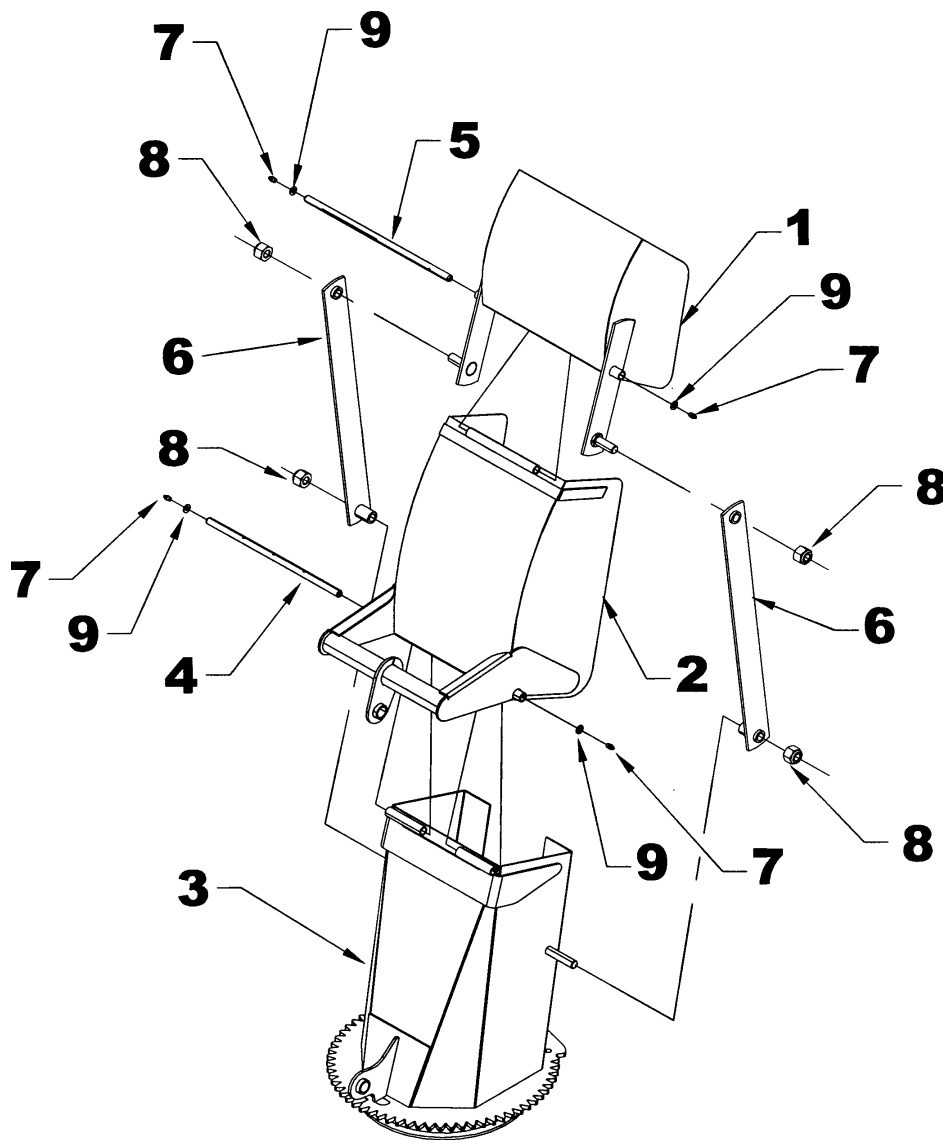
REF.	DESCRIPTION	QTY	PART #
1	Chute base	1	667097
2	Deflector	1	667098
3	Hinge pin	1	667090
4	Grease fitting 1/8" NPT	1	656493
5	Flat washer 10MM hole PTD	2	1400019
OPTIONAL			
6	Adjustment tube	1	654076
7	Adjustment rod	1	654074
8	Hairpin 5mm dia. x 100 mm PTD	1	1800003
9	Cotter pin 1/4" dia. x 2" PTD	2	O/L



PARTS

SEMI-INDUSTRIAL CHUTE – 8169B

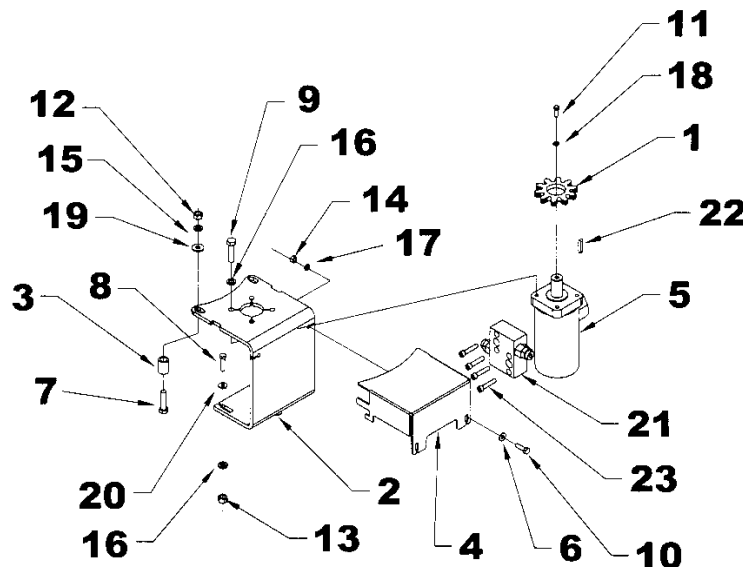
RÉF.	DESCRIPTION	QTÉ	# PIÈCE
1	Deflector – upper	1	667077
2	Deflector – middle	1	667076
3	Chute base	1	667074
4	Pin 5/8" x 15 3/4" lg	1	667090
5	Pin 5/8" x 17 1/4" lg	1	667082
6	Flat Bar	2	667132
7	Grease fitting 1/8" NPT	1	656493
8	Nylon insert locknut 3/4" NC PTD	4	O/L
9	Flat washer 10MM hole, PTD	4	O/L



PARTS

HYDRAULIC ROTATION BY MOTOR – 8164A

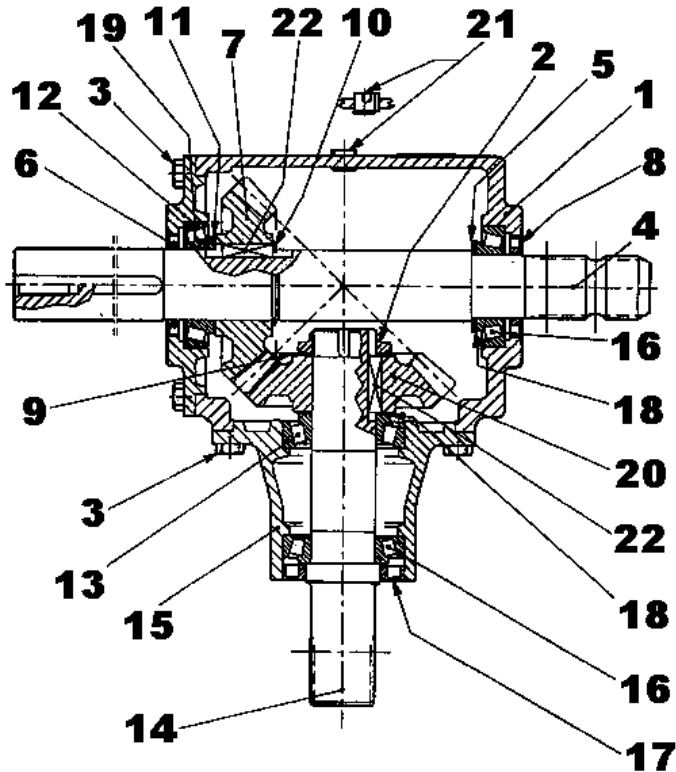
REF.	DESCRIPTION	QTY	PART #
1	Motor gear	1	665930
2	Motor support	1	666209
3	Spacer 1 1/8" lg	2	665932
4	Protective cover	1	664839
5	Hydraulic motor	1	3900016
	Seal kit	1	3900077
6	Flat washer Ø5/16"	2	O/L
7	Hex bolt 1/2" NC x 3"	2	O/L
8	Hex. bolt 3/8" NC x 1 1/4"	2	O/L
9	Hex. bolt 3/8"NC x 3/4"	4	O/L
10	Hex. bolt 5/16" NC x 1"	2	O/L
11	Hex. bolt 1/4" NC x 5/8"	1	O/L
12	Hex. nut 1/2" NC	2	O/L
13	Hex. nut 3/8" NC	2	O/L
14	Hex. nut 5/16" NC	2	O/L
15	Lockwasher 1/2"	2	O/L
16	Lockwasher 3/8"	6	O/L
17	Lockwasher 5/16"	2	O/L
18	Lockwasher 1/4"	1	O/L
19	Flat washer 9/16" dia. hole	2	O/L
20	Flat washer Ø7/16"	2	O/L
21	Safety valve	1	3900076
22	Key 1/4" x 1/4" x 3/4" lg	1	654686
23	Allen socket head capscrew 5/16" NC x 1 1/2" lg PTD	4	0800031



PIÈCES

GEARBOX - 662281

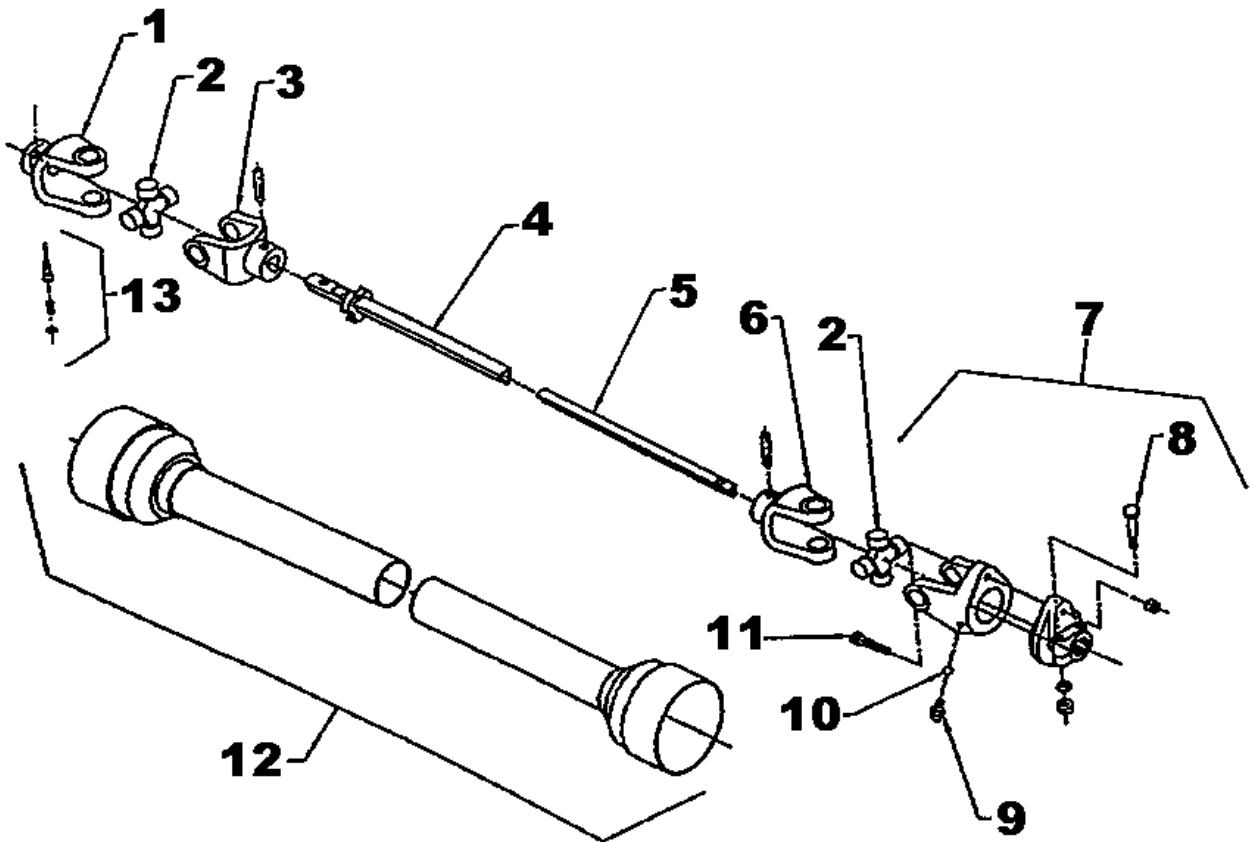
REF.	DESCRIPTION	QTY	PART#
1	Casing	1	658850
2	Locknut M45 x 1.5 – 8.8		4500082
3	Bolt M10 x 22 - 8,8	16	658852
4	Input shaft	1	4500077
5	Shim 45.3 x 65.3 x 2.5	1	662283
6	Seal 50 x 72 x 8	1	658856
7	Gear	1	662435
8	Seal 45 x 72 x 8	1	658871
9	Shim 45.3 x 65.3 x 1	1	4500079
10	Snap ring	1	662311
11	Washer 50.3 x 70.3	1	658853
12	Cover	1	4500078
13	Bearing	1	658862
14	Output shaft	1	4500080
15	Extension	1	4500081
16	Bearing	2	658865
17	Seal 52 x 85 x 10	1	658866
18	Shim 45.3 x 65.3	2	658867
19	Bearing	1	658857
20	Gear	1	658861
21	Plug 3/8"	1	658872
22	Key 14 x 9 x40	2	658854



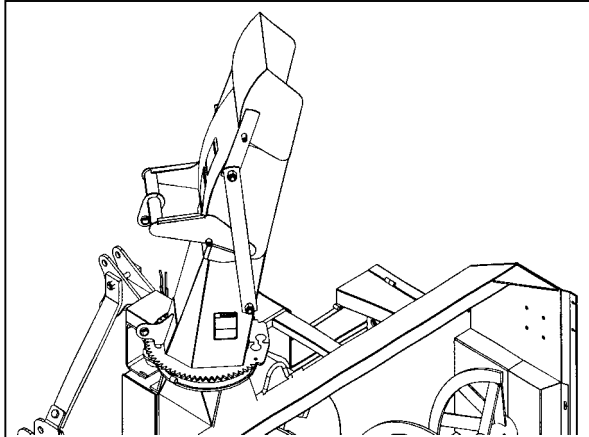
PIÈCES

DRIVELINE - 662288

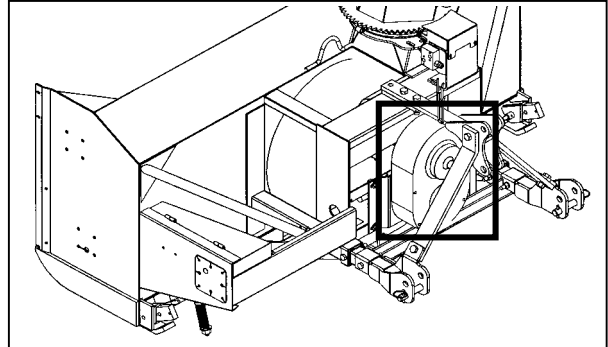
REF.	DESCRIPTION	QTY.	PART #
1	Push pin yoke assembly	1	662289
2	Universal joint kit	2	662023
3	Outer yoke	1	663152
4	Outer tube	1	663155
5	Inner tube	1	663156
6	Inner yoke	1	663158
7	Yoke and hub assembly	1	662294
8	Bolt and nut	2	662297
9	Grease fitting	1	663161
10	Ball	24	663162
11	Shear bolt and nut	1	662296
12	Shields with safety chain	1	662298
13	Safety pin	1	662291



AVAILABLE OPTIONS

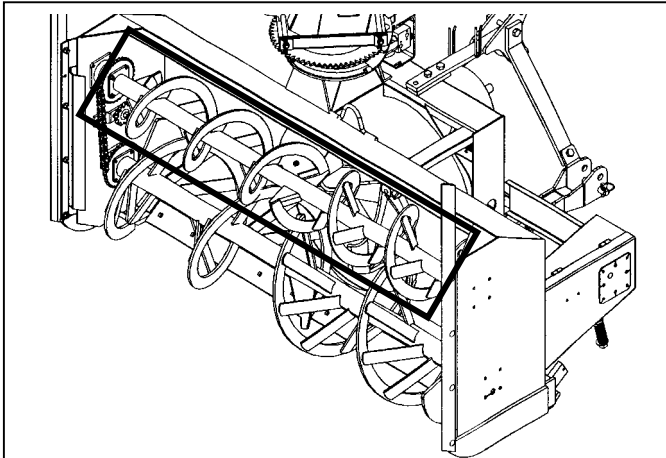


SEMI-INDUSTRIAL CHUTE - 8169B

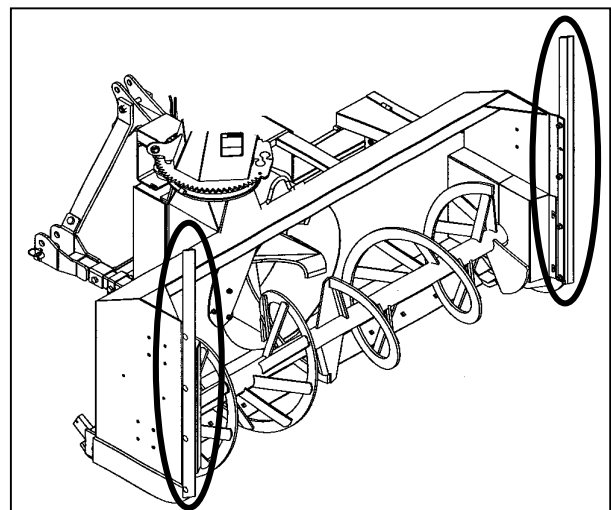


REDUCER- 8097

DRIVELINE SERIES 90- 8032



**SECOND AUGER KIT
8049, 8050 OR 9464**



VERTICAL KNIVES - 8099

WARRANTY



RAD TECHNOLOGIES INC *Thetford Mines Division*

RAD TECHNOLOGIES INC. warrants to the original buyer that the equipment is free from defects in material and workmanship. RAD TECHNOLOGIES INC.'s obligation, under this warranty, will be limited to the repair or replacement of any non-wear part or component, which RAD TECHNOLOGIES INC. finds to be defective within **one year** from the date of original purchase (unless otherwise-specified). The applicable warranty period for commercial or rental use shall be ninety (90) days from the date of purchase

In no event shall RAD TECHNOLOGIES INC. be liable for consequential, special, direct or indirect damages incurred by the buyer/user.

All components not manufactured by RAD TECHNOLOGIES INC. (such as motors, actuators, hydraulic components, tires, ...etc.) are covered by the original manufacturer's warranty in conjunction with RAD TECHNOLOGIES INC.

RAD's obligation under this warranty shall be limited to repairing or replacing, free of charge to the original purchaser, any part that, in RAD's judgment, shall show evidence of such defect, provided the **distributor** returns the part prepaid within thirty (30) days from date of failure.

This warranty shall not be interpreted to render RAD TECHNOLOGIES INC. liable for injuries or damages of any kind or nature to person or property. This warranty does not extend to losses because of delays, or to any expenses or losses incurred for labor, substitute machinery, rental or for any other reason.

Except as set forth above, RAD TECHNOLOGIES INC. shall have no obligation or liability of any kind on account of any of its equipment and shall not be liable for special or consequential damages. RAD TECHNOLOGIES INC. makes no other warranty, expressed or implied, and specifically, RAD TECHNOLOGIES INC. disclaims any implied warranty or merchantability or fitness for a particular purpose. **Some states or provinces do not permit limitations or exclusions of implied warranties or incidental or consequential damages, so the limitations or exclusions in this warranty may not apply.**

This warranty is subject to any existing conditions of supply, which may directly affect our ability to obtain materials or manufacture replacement parts. RAD TECHNOLOGIES INC. reserves the right to make improvements in design or changes in specifications at any time, without incurring any obligation to owners of units previously sold.

No one is authorized to alter, modify or enlarge this warranty nor the exclusions, limitations and reservations.

2835 Chemin de l'Aéroport, Thetford Mines (Québec) G6G 5R7

Tél.: (418) 338-4499 Fax: (418) 388-6090

Internet : www.radinter.com Courriel : radtech@radinter.com

TORQUE SPECIFICATION TABLE

GENERAL SPECIFICATION TABLE

Use the following torques when special torques are not given Note: These values apply to fasteners as received from supplier, when dry. These values do not apply if lubricants are used.

BOLT SIZES (SAE)	TORQUE	
INCHES	Pounds-Foot	Newtons-Meter
1/4	5	7
5/16	10	14
3/8	20	27
7/16	25	41
1/2	88	119
9/16	121	144
5/8	145	224
3/4	297	403
7/8	440	597
1	638	865
1 1/8	840	1139
1 1/4	1180	1400
1 3/8	1570	2129
1 1/2	2070	2807

BOLT SIZES (METRIC)	TORQUE	
MILLIMETERS	Pounds-Foot	Newtons-Meter
M6	10	13
M8	22	30
M10	40	54
M12	59	80
M14	93	126
M14	130	176
M18	148	228
M20	205	278

Manufactured by:



RAD TECHNOLOGIES INC.

Division Thetford Mines

2835, Chemin de l'Aéroport

Thetford Mines, Québec, Canada, G6G 5R7

Tel.: (418) 338-4499 - Fax.: (418) 338-6090

E-mail : radtech@radinter.com

Internet : www.radinter.com

Printed in Canada