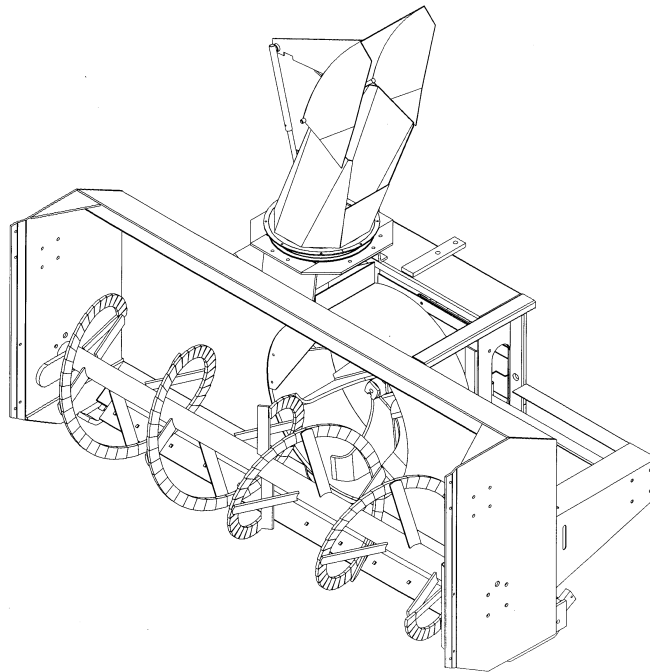


OPERATOR'S AND PARTS MANUAL



**SNOWBLOWER
MODELS
SA92 – SA98
SA92TRC – SA98TRC – SA104TRC
SERIAL NO. 9900101 AND UP**

OM 0275-A
00/06

BER-VAC
by RAD Technologies Inc.

TABLE OF CONTENT

INTRODUCTION – TO THE PURCHASER	3
SAFETY PRECAUTIONS	4
Before Operation	4
Notice	5
The Snowblower	5
Before Operation	5
Snowblower operation	6
The Tractor	7
General Information	7
Operating the Tractor	7
During Operation	7
Maintenance	8
Transporting	8
Storage	8
DECALS	9
ASSEMBLY	10
Snowblower Assembly	10
Driveline Installation	10
Detaching Snowblower from Tractor	10
Three Point Hitch Installation	11
Snowblower Installation	11
Hydraulic Rotation by Cylinder	12
Hydraulic Rotation by Motor	13
Gear and Pinion Adjustments	14
Second Auger Conversion Kit - Option	14
Installation of Reduction Box- Option	15
Adjustment & Maintenance of the Reduction Box	15
Installation of the Knives – Option	15
OPERATION	16
General Preparation	16
Operating Controls	16
Work and Travel Speed	16
Raising and lowering the snowblower	16
Drive Shaft Operation	16
Deflector Adjustment	16
Skid Shoes Adjustment	16
Snow Removal Methods	17

TABLE OF CONTENT

MAINTENANCE	18
Maintenance	18
Storage	18
Lubrication.....	18
PARTS	19
Introduction	19
Snowblower SA92 and SA98.....	20
Snowblower SA92TRC, SA98TRC and SA104TRC.....	23
Three Point Hitch	26
Standard Chute – Kit 9488	27
Semi-Industrial Chute – Kit 9493	28
Industrial Chute – Kit 9486	29
Hydraulic Rotation by Cylinder – Kit 8069.....	30
Hydraulic Rotation by Motor – Kit 8048	31
Second Auger Conversion Kits 8049 et 8050	32
Gearbox (662281).....	33
Reduction Gear Box Kit 8097	34
Driveline (662288).....	35
Heavy Duty Driveline (8032).....	36
WARRANTY	37
TORQUE SPECIFICATION TABLE	38

INTRODUCTION

TO THE PURCHASER

All BER-VAC products are designed to give safe, dependable service if they are operated and maintained according to instructions. **Read and understand this manual before operation.**

This manual has been prepared to assist the owner and operators in the safe operation and suitable maintenance of the implements. The information was applicable to products at the time of manufacture and does not include modifications made afterwards.

Read and understand this operator's manual before attempting to put an implement into service. Familiarise yourself with the operating instructions and all the safety recommendations contained in this manual and those labelled on the implements and on the tractor. Follow the safety recommendations and make sure that those with whom you work follow them.

To assist your dealer in handling your needs, please record hereafter the model number and serial number of your implement and tractor. It is also advisable to supply them to your insurance company. It will be helpful in the event that an implement or tractor is lost or stolen.

Illustrations

The illustrations may not necessarily reproduce the full detail and the exact shape of the parts or depict the actual models, but are intended for reference only

Direction Reference

Right Hand and Left Hand are determined by those seen by the conductor looking at the machine while operating.

MODEL :

SERIAL NUMBER :


DATE OF PURCHASE :


SAFETY PRECAUTIONS




SAFETY FIRST

This symbol, the industry's "Safety Alert Symbol", is used throughout this manual and on labels on the machine itself to warn of the possibility of personal injury. Read these instructions carefully. It is essential that you read the instructions and safety regulations before you attempt to assemble or use this unit.

 **DANGER :** Indicates an immediately hazardous situation which, if not avoided, will result in death or serious injury.

 **WARNING :** Indicates a potentially hazardous situation which, if not avoided, could result in death or serious injury.

 **CAUTION :** Indicates a potentially hazardous situation which, if not avoided, may result in minor or moderate injury.

IMPORTANT : Indicates that equipment or property damage could result if instructions are not followed.

NOTE : Gives helpful information.

All products are designed to give safe, dependable service if they are operated and maintained according to instructions. **Read and understand this manual before operation.** It is the owner's responsibility to be certain anyone operating this product reads this manual., and all other applicable manuals, to become familiar with this equipment and all safety precautions. Failure to do so could result in serious personal injury or equipment damage. If you have any questions, consult your dealer.

BEFORE OPERATION

Children

Tragic accidents can occur if the operator is not alert to the presence of children. Children are generally attracted to machines and the work being done. Never assume children will remain where you last saw them.

1. Keep children out of the operating area and under the watchful eye of another responsible adult.
2. Be alert and turn machine off if children enter the work area.
3. Before and when backing, look behind and look for small children.
4. Never carry children while operating the machine. They may fall off and be seriously injured or interfere with safe operation of the machine.
5. Never allow children to play on the machine or attachment even when turned off.
6. Never allow children to operate the machine even under adult supervision.
7. Use extra care when approaching blind corners, shrubs, trees, or other obstructions that might hide children from sight.

SAFETY PRECAUTIONS - Continued

NOTICE

A safe operator is the best insurance against accidents. All operators, no matter how experienced they may be, should read this Operator's Manual and all other related manuals before attempting to operate an implement. Please read the following section and pay particular attention to all safety recommendations contained in this manual and those labeled on the implements and on the tractor.

THE SNOWBLOWER

Before Operation

1. Read and understand this operator's manual and tractor operator's manual. Know how to operate all controls and how to stop the unit and disengage the controls quickly.
2. Never wear loose, torn, or bulky clothing around the tractor and implement. It may catch on moving parts or controls, leading to the risk of accident.
3. Before the snow season, thoroughly inspect the area where the equipment is to be used and remove all doormats, sleds, boards and other foreign objects.
4. Disengage clutch and shift into neutral before starting the engine.
5. Do not operate equipment in wintertime without wearing adequate winter garments.
6. Never attempt to make any adjustments while engine is running. Read this manual carefully to acquaint yourself with the equipment as well as the tractor operator's manual. Working with unfamiliar equipment can lead to accidents. Be thoroughly familiar with the controls and proper use of the equipment. Know how to stop the unit and disengage the controls quickly.

7. Keep all shields in place and properly tighten all mounting hardware.
8. Periodically, inspect all moving parts for wear and replace with authorized service parts if an excessive amount of wear is present.
9. Replace all missing, illegible, or damaged safety and warning decals. See list of decals in the operator's manual.
10. Do not modify or alter this equipment or any of its components, or any equipment function without first consulting your dealer.
11. Keep safety decals clean of dirt and grime.

SAFETY PRECAUTIONS - Continued

Snowblower Operation

1. In case of a belt-driven equipment, make sure drive belt is routed properly before operation.
2. Before leaving the tractor unattended, take all possible precautions. Disengage the drive belt if so equipped, stop the engine and remove the ignition key. Lower the implement to the ground.
3. Before starting the snowblower, remove any ice that has accumulated in the auger/impeller.
4. Watch carefully for foreign objects that could enter the blower while operating.
5. Be sure the clutch switch/lever is in OFF position before starting engine.
6. Do not put hands or feet near rotation parts. Keep clear of discharge opening at all times.
7. Exercise extreme caution when operating on or crossing a gravel drive, walks, or roads. Stay alert for hidden hazards or traffic. Do not carry passengers.
8. Adjust collector housing height to clear gravel or crushed rock surface.
9. Stop the engine, remove the key, and allow the rotating parts to stop before unclogging the collector/impeller housing or chute, and making any repairs, adjustments or inspections. Use only a 36" long piece of wood to unclog blower.
10. If the snowblower starts to vibrate abnormally, stop the engine immediately and check for cause. Excessive vibration is generally a sign of trouble.
11. Do not run the engine indoors except when starting engine and transporting attachment in or out of building. Carbon monoxide gas is colorless, odorless and deadly.
12. Exercise extreme caution when changing direction on slopes. Do not attempt to operate on steep slopes.
13. Never operate snowblower without guards, and other safety protective devices in place.
14. Never operate snowblower near glass enclosures, automobiles, window wells, embankments, etc., without proper adjustment of snow discharge angle.
15. Never operate machine at high transport speeds on a slippery surface.
16. Use extra caution when backing up.
17. Do not direct discharge at bystanders or animals. Ejected objects may cause injury.
18. Disengage power to auger/impeller when transporting or when not in use.
19. Never operate the snowblower without good visibility and lighting.
20. Prolonged exposure to loud noise can cause impairment or loss of hearing. Wear a suitable hearing protective device such as earmuffs or earplugs to protect against objectionable or uncomfortable noises

SAFETY PRECAUTIONS - Continued

THE TRACTOR

General Information

1. Read the operator's manual carefully before using tractor. Lack of operating knowledge can lead to accidents.
2. Do not permit anyone but the operator to ride on the tractor. There is no safe place for extra riders.

Operating the Tractor

1. Never run the tractor engine in a closed building without adequate ventilation, as the exhaust fumes are very dangerous.
2. Never allow an open flame near the fuel tank or battery.
3. Make sure the belt shield is installed when using belt-driven equipment and always replace the belt shield if damaged.
4. Always bring the tractor to a complete stop, shut off the engine, lower the implement to the ground and remove the ignition key before leaving the tractor.
5. Never park the tractor on a steep slope.
6. Do not attempt to operate on steep slopes.
7. Use of tire chains for better traction and stability is recommended.
8. Always drive the tractor at speeds compatible with safety, especially when operating over rough ground, crossing ditches, or when turning.
9. Handle fuel with care, as it is highly flammable.
10. Use approved fuel container.
11. Never add fuel to a running engine or a hot engine.
12. Fill fuel tank outdoors with extreme care. Never fill fuel tank indoors. Replace fuel cap securely and wipe up spilled fuel.

13. Never allow anyone to operate the snowblower until they are thoroughly familiar with basic tractor and snowblower operation.

14. Make sure the tractor is counterweighted as recommended by your dealer. Weights provide the necessary balance to prevent tip-over or loss of traction or steering.

15. Always make sure all snowblower components are properly installed and securely fastened BEFORE operation.

During Operation

1. Do not allow anyone to ride on the tractor/snowblower at any time. There is no safe place for passengers on this equipment. The operator MUST sit in the tractor seat.

2. Eye and hearing protection is recommended when operating the snowblower.

3. Operate only during daylight hours, or when the area is well lit with bright artificial light.

4. Disengage the PTO (turn to "OFF"), place the transmission in neutral, set the parking brake, shut off the engine and remove the key, and make sure rotating components have stopped BEFORE leaving the operator's seat.

5. Inspect the snowblower after striking any foreign object to assure that all snowblower parts are safe and secure and not damaged.

SAFETY PRECAUTIONS - Continued

MAINTENANCE

1. Park the tractor/snowblower on level ground, set the parking brake, disengage the PTO, shut off the engine, remove the key, and lower the implement to the ground BEFORE making any snowblower adjustments.
2. To avoid injury, do not adjust, unclog or service the snowblower with the tractor engine running. Making sure rotating components have completely stopped before leaving the operator's seat
3. Keep the tractor/snowblower clean. Snow and ice build-up can lead to malfunction or personal injury from thawing and refreezing in garage.
4. Always wear eye protection when cleaning or servicing the snowblower.
5. Do not work under any part of the tractor or snowblower, unless it is securely supported by safety stands.
6. Make sure all shields and guards are securely in place following all service, cleaning, or repair work.
7. Do not modify or alter this equipment or any of its components or operating functions. If you have questions concerning modifications, consult with your dealer.

TRANSPORTING

1. If the tractor/snowblower is to be driven on public roads, it must be equipped with an SMV (Slow Moving Vehicle) sign. Check local traffic codes that may apply to unit usage on public roads and highways in your area.
2. Be alert for all other traffic when driving the tractor/snowblower on public roads or highways.

STORAGE


Before storing the snowblower, certain precautions should be taken to protect it from deterioration.

1. Clean the snowblower thoroughly.
2. Make all the necessary repairs.
3. Replace all Safety Signs that are damaged, lost, or otherwise become illegible. If a part to be replaced has a sign on it, obtain a new safety sign from your dealer and install it in the same place as on the removed part.
4. Repaint all parts from which paint has worn or peeled.
5. Lubricate the snowblower as instructed under "**Lubrication**" section.
6. When the snowblower is dry, oil all moving parts. Apply oil liberally to all surfaces to protect against rust.
7. Store in a dry place.

DECALS

Replace Immediately If Damaged.

⚠ DANGER



ROTATING DRIVELINE
CONTACT CAN CAUSE DEATH KEEP PEOPLE AND CLOTHING WELL CLEAR

DO NOT OPERATE WITHOUT
- ALL DRIVELINE, TRACTOR AND EQUIPMENT SHIELDS IN PLACE
- DRIVELINES SECURELY ATTACHED AT BOTH ENDS
- DRIVELINE SHIELDS THAT TURN FREELY ON DRIVELINE

TRANSMISSION ROTATIVE À CARDAN
TOUT CONTACT PEUT CAUSER LA MORT
TENIR LES VÊTEMENTS ET PERSONNES À L'ÉCART

NE PAS OPÉRER SANS
- QUE TOUTS LES PROTECTEURS DU TRACTEUR, DE L'ÉQUIPEMENT ET DE L'ARBRE À CARDAN SOIENT EN PLACE.
- L'ARBRE À CARDAN FIXE SOLIDEMENT À CHAQUE BOUT
- QUE LES PROTECTEURS TOURNENT LIBREMENT SUR L'ARBRE À CARDAN

88

656781

⚠ DANGER



**AVOID INJURY FROM ROTATING AUGER
KEEP HANDS, FEET AND CLOTHING AWAY**

**POUR ÉVITER DES BLESSURES GRAVES:
GARDER LES MAINS, LES PIEDS ET LES VÊTEMENTS ÉLOIGNÉS DES VIS SANS FIN**

87

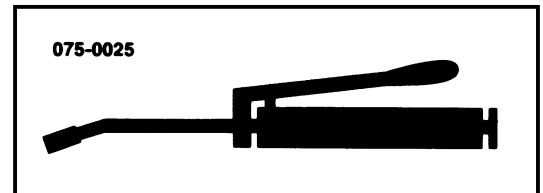
656780

IMPORTANT
Before using:
- Oil level must be checked.
- Fill with "AGMA No 5 EP" extreme pressure oil
- Read instructions manual.

IMPORTANT
Avant usage:
- Vérifier niveau d'huile.
- Remplir avec de l'huile pour extrême pression "AGMA No 5 EP"
- Lire manuel d'instructions.

21

655834



664391

⚠ DANGER

664383

⚠ MISE EN GARDE

NÉGLIGER DE SUIVRE LES PROCÉDURES SÉCURITAIRES D'UTILISATION PEUT ENTRAÎNER DES BLESSURES.

- POUR UNE UTILISATION SÉCURITAIRE, SUIVRE TOUTES LES INSTRUCTIONS D'UTILISATION ET PRÉCAUTIONS SÉCURITAIRES DANS LE MANUEL DE L'OPÉRATEUR.
- PORTER DES LUNETTES DE SÉCURITÉ EN TOUT TEMPS.
- GARDER MAINS, PIEDS ET VÊTEMENTS ÉLOIGNÉS DES PIÈCES MOTRICES.
- ARRÊTER LE MOTEUR AVANT DE QUITTER LA POSITION DE L'OPÉRATEUR.
- ATTENDRE QUE TOUTS LES MOUVEMENTS SOIENT ARRÊTÉS AVANT D'AJUSTER, LUBRIFIER, NETTOYER OU DÉBLOQUER LA MACHINE.
- GARDER L'ENDROIT D'UTILISATION DÉGAGÉ DE TOUTES PERSONNES ET ANIMAUX.
- GARDER TOUTS LES ÉCRANS PROTECTEURS EN PLACE.
- JAMAIS DIRIGER L'ÉVACUATION VERS DES PIÉTONS, BÂTIMENTS, AUTOMOBILES, ETC.
- TOUJOURS UTILISER UN MASQUE À POUSSIÈRE DANS UN ENVIRONNEMENT POUSSIÉREUX.
- GARDER TOUTES LES MATIÈRES PLASTIQUES ÉLOIGNÉES DE LA CHALEUR INTENSE ET DES FLAMMES.
- NE JAMAIS PERMETTRE DE PASSAGERS SUR CETTE MACHINE.

230

660989

⚠ WARNING

FAILURE TO FOLLOW SAFE OPERATING PROCEDURES MAY RESULT IN INJURY.

- FOR SAFE OPERATION FOLLOW ALL OPERATING INSTRUCTIONS AND SAFETY PRECAUTIONS IN OPERATOR'S MANUAL.
- EYE PROTECTION MUST BE WORN AT ALL TIMES.
- KEEP HANDS, FEET AND CLOTHING AWAY FROM POWER DRIVEN PARTS.
- STOP ENGINE BEFORE LEAVING OPERATOR POSITION.
- WAIT FOR ALL MOVEMENTS TO STOP BEFORE STARTING TO ADJUST, LUBRICATE, CLEAN OR UNLOCK THE MACHINE.
- KEEP THE AREA OF OPERATION CLEAR OF ALL PERSONS AND ANIMALS.
- KEEP ALL GUARDS AND SHIELDS IN PLACE.
- NEVER DIRECT DISCHARGE TOWARD BYSTANDERS, BUILDINGS, CARS ETC.
- ALWAYS USE A DUST MASK WHEN WORKING IN DUSTY CONDITIONS.
- KEEP PLASTIC MATERIALS AWAY FROM INTENSE HEAT AND OPEN FLAME.
- NEVER ALLOW PASSENGERS ON THE ATTACHMENT.

229

660988

⚠ DANGER



**TO AVOID SERIOUS INJURY:
KEEP HANDS OUT OF THIS DISCHARGE CHUTE WHILE ENGINE IS RUNNING**

**POUR ÉVITER DES BLESSURES GRAVES:
GARDER LES MAINS ÉLOIGNÉES DE CETTE GOULOTTE LORSQUE LE MOTEUR EST EN MARCHÉ.**

85

656779

ASSEMBLY

SNOWBLOWER ASSEMBLY

The snowblower is assembled at the factory, however, snowblower kits must be assembled. Use the present manual and lay out all parts for assembly. Separate bolts and nuts into various sizes. After assembly, torque all the bolts according to the Torque Specification Table enclosed at the end of the manual.

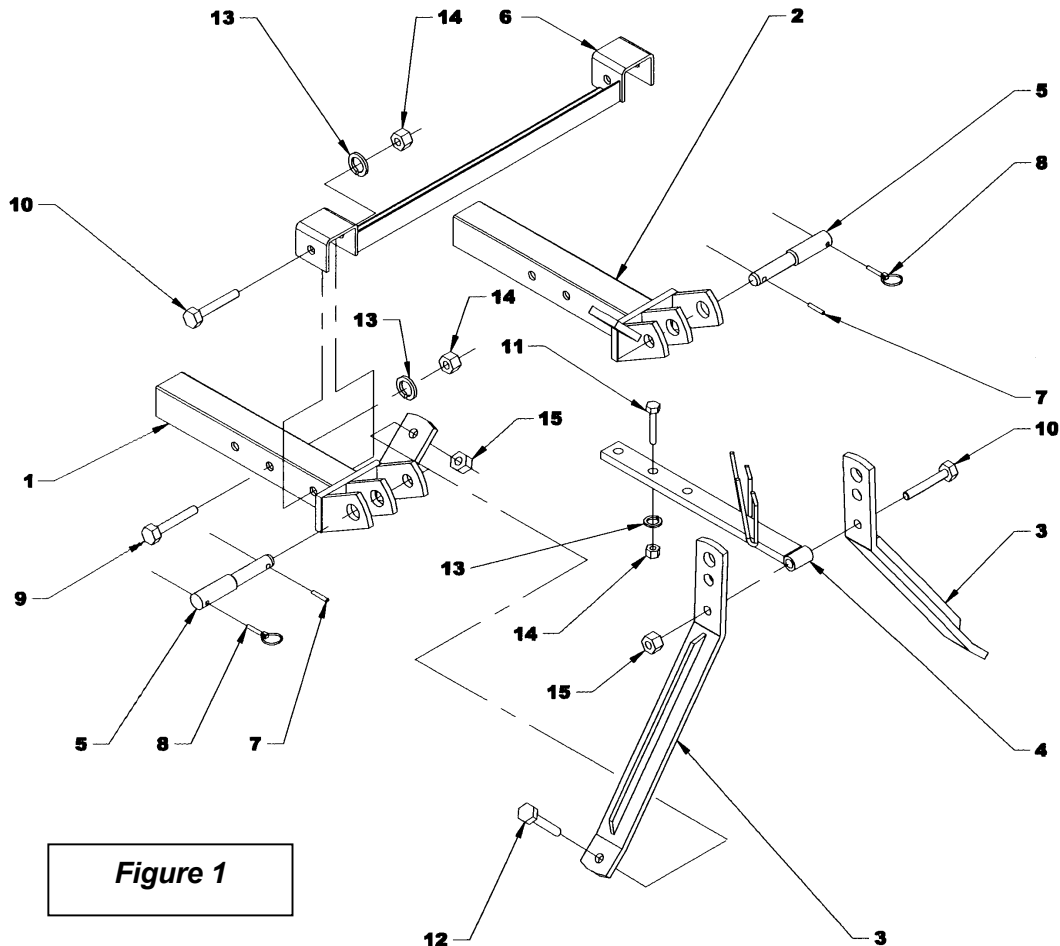
Driveline Installation

1. Remove paint from snowblower gearbox drive shaft and grease driveline sliding surfaces and yoke.
2. Remove the two bolts of the yoke and slide driveline yoke over drive shaft using sliding action of the driveline. Make sure the driveline is well secured to the drive shaft by replacing the two bolts and tightening them according to the torque specification table.

Detaching Snowblower from Tractor:

Select a level surface to detach. Lower the parking stand. Remove driveline from the tractor's PTO. Detach top link using adjustment as required. Detach right lower link using adjustable link to assist if necessary. Detach left lower link.

1. **IMPORTANT:** To avoid damage to the snowblower, retorque all bolts after the first 10 hours of operation.



ASSEMBLY

Three Point Hitch Installation

(Figure 1)

1. Install the lower left hitch and lower right hitch (items 1-2) on snowblower using two bolts 3/4" x 5 1/2", 3/4" lockwashers and 3/4" hex nuts (items 9-13-14).
2. Install the attaching plates (item 3) to the lower hitches (items 1-2) using the top holes. Secure with two 3/4" NC x 2" bolts and 3/4" stover nuts (items 12-15).
3. Fasten each attaching plate (item 3) to the upper hitch (item 4) using a 3/4" NC x 4 1/2" bolt and a 3/4" stover nut (items 10-15).
4. Attach upper hitch (item 4) to the snowblower attaching plate (not illustrated) using two 3/4" NC x 2 1/2" bolts, 3/4" lockwashers and 3/4" hex. nuts (item 11-13-14).
5. Install the brace (item 6) on the lower hitches (items 1-2) using two 3/4" NC x 4 1/2" bolts lockwashers and nuts (items 10-13-14) inserting them in the holes closest to the attaching plates.

Note: We recommend using the driveline chain when storing the snowblower

Snowblower Installation

(Figure 1)

1. Attach tractor lower hitch arms to snowblower lower hitches (items 1-2) using the pins, the linchpins and roll pins (item 5-8-7).
2. Install the tractor upper hitch on the upper or lower hole of the snowblower attaching plates (item 3) using the tractor pins.
3. To level snowblower front to back, adjust using the tractor top link.
4. To level side to side, use leveling crank on right lower lift arm.
5. Set the tractor anti-sway turnbuckles so the snowblower does not sway. Be sure the turnbuckles clear the tractor tires.



WARNING: Before connecting snowblower driveline to tractor drive shaft, make sure driveline is not too long in raised, lowered or middle position. If the driveline is too long it must be shortened, to avoid damaged to tractor.

6. Connect driveline to tractor drive P.T.O., making sure the driveline is well secured to the tractor.
7. Secure driveline safety chain to tractor master shield to prevent driveline shield from rotating.
8. Before operating the snowblower, raise the parking stand from the ground.

Note: Depending on tractor used, it may be necessary to install front tractor weights to maintain front-end stability.

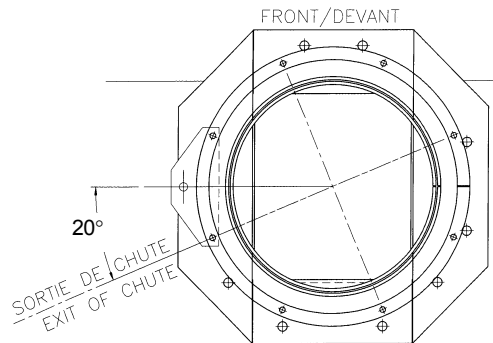
ASSEMBLY

Hydraulic Rotation by Cylinder

1. Install bell crank bracket (item 4) under the base of the chute support at the center of the machine by using a hex. bolt 1/2" NC x 1 3/4" (item 14) and a 1/2" NC x 2 1/4" bolt (item 13), tighten with a lockwasher and nut (items 19-23).
2. Install the cylinder bracket (item 3) on the frame using two 1/2" NC x 1 3/4" bolt (item 14). Tighten with two flat washers and nuts (items 19-23).
3. Install the bell crank (item 1) opposite the $\text{\O}13/16$ " hole on the frame by sliding a spacer (item 11) under the cylinder bracket (item 3). Insert a bushing (item 10) in the $\text{\O}1 1/4$ " hole of the bell crank and slide the bell crank between the flat bars of the cylinder bracket. Fasten everything by inserting a 3/4" NC x 4 1/2" bolt (item 12) through the $\text{\O}3/4$ " hole of the bell crank bracket (item 4) and tighten with a lockwasher and nut (items 18-22).

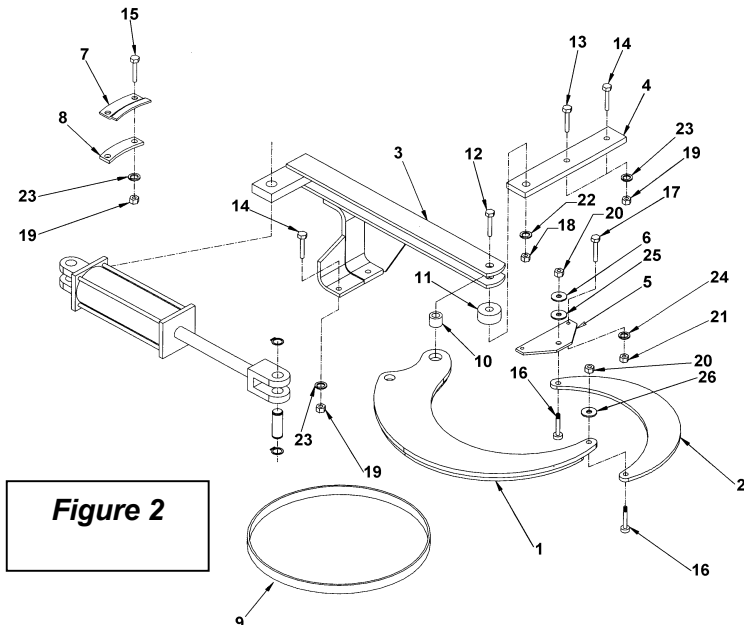
Insert the ring "UHMW" (item 9) by wrapping it around the interior of the chute and place the chute on the housing.

5. Turn the chute so you obtain approximately a 20° angle (see diagram below). Install the push arm bracket (item 5) under the exterior ring at the base of the chute ensuring it is perpendicular to the front of the snowblower. Fasten with two 5/16" NC x 1" bolts (item 17), lockwashers and nuts (items 21-24).



4.

6. Fasten the push arm (item 2) in the $\text{\O}1/2$ " holes located on the bell crank and push arm bracket. Grease all the parts in contact to eliminate premature wear. Attach the ends by inserting a 1/2" x 3/4" shoulder screw (item 16) underneath and tighten with a 3/8" NC stover nut, a flat washer $\text{\O}9/16$ " hole (item 25) and a flat washer $\text{\O}7/16$ " hole (item 6) leaving some movement to the articulation.
7. Fasten the chute using spacers (item 8) and retaining plates (item 7). Tighten with 1/2" NC x 1 1/2" bolts (item 15), lockwashers and nuts (items 19-23).



ASSEMBLY

Gear and Pinion Adjustments

(Figure 3)

1. Correct mounting of the system will level the gears.
2. Adjust the gears with a distance of 1/32" to 1/16". Tighten the four nuts (item 16) the ones inside and outside. Tighten firmly.
3. Connect the hydraulic hoses to the motor, and make a trial test at a very low speed.
4. Evaluate the adjustment according to the sound of the teeth. If they produce a loud noise when making contact, it means that the pinion and gear need to be closer. Readjust and repeat the operation till you hear a regular and even sound.
5. Install the cover (item 3), and secure with 5/16" x 1" bolts, flatwashers, lockwashers and nuts (item 13-24-20-17).

Second Auger Conversion Kit (Option)

(Figure 4)

1. Remove the front guard and loosen the idler sprocket. Remove the lower auger chain and the bolts on each side of the lower auger bearings. Remove the auger from the snowblower.
2. Install the new sprockets on both augers.
3. Reinstall lower and upper auger with the bolts and bearings supplied. Do not tighten setscrews on the bearings now.
4. Install idler sprocket (item 7) on chain idler support (item.3) as shown. Assemble support inside snowblower in the pre-bored holes.
5. Install the chain (as shown on fig. 4). Align the auger's sprockets with the idler sprocket and tighten securely the setscrews on the auger bearings to stabilize the augers.
6. Install the new chain guard supplied with the optional upper auger. Reinstall the lower auger chain and the front guard.

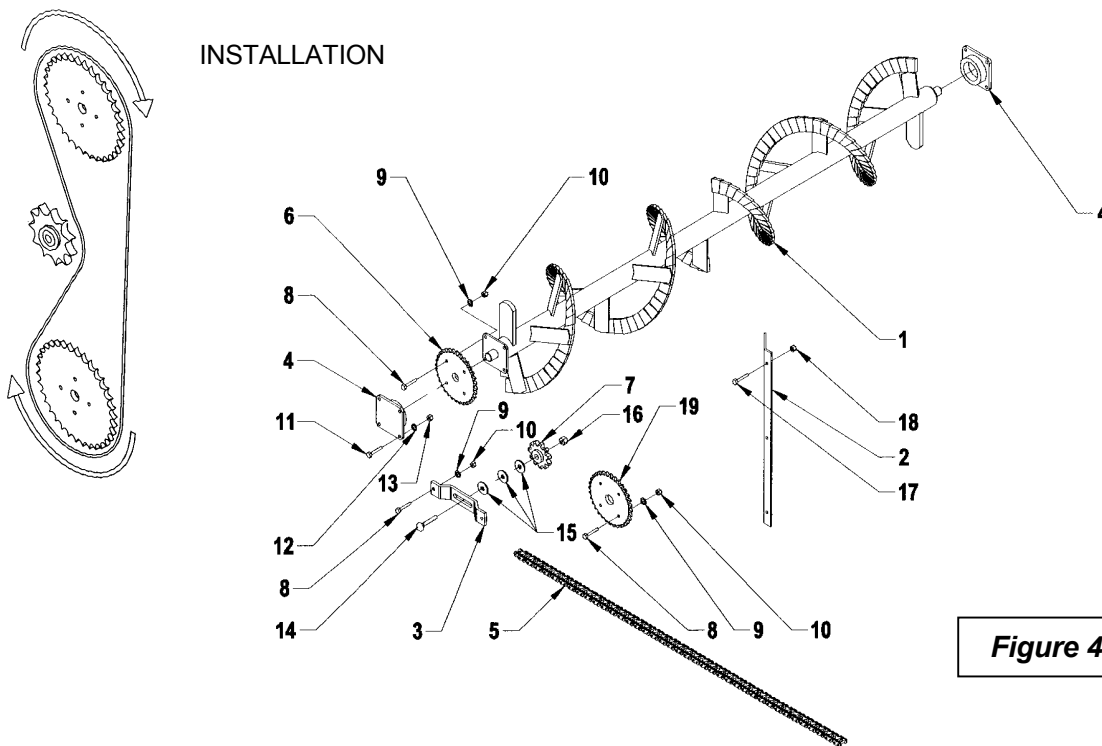


Figure 4

ASSEMBLAGE

Installation of the Reduction Box 8097 (Option) (Figure 5)

1. Remove the driveline from the snowblower. Remove the driveline guard (item 1) and attach the reduction box (item 6) to the support (item 2) with four 1/2" NC x 1 1/4" hex. bolts and lockwashers (items 3-4). Tighten firmly.
2. Slip the reduction box (item 6) on the gear box splined shaft of the snowblower and align the holes of the support (item 2) with those of the snowblower. Fasten everything with four 1/2" NC x 1 1/4" hex. bolts, lockwashers and nuts (items 3-4-5). Tighten firmly.

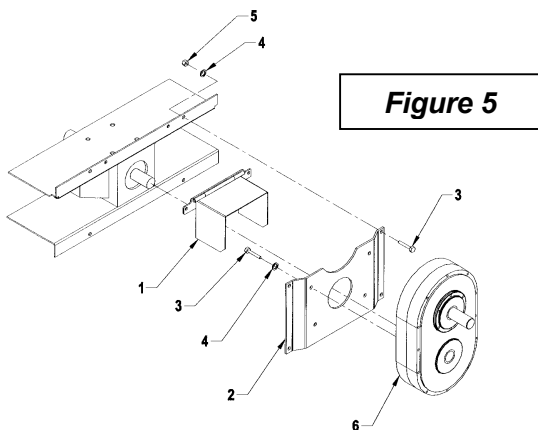


Figure 5

Adjustment and Maintenance of the Reduction box (Figure 5 – 6)

1. Replace the driveline shear bolt (fig. 6, item 11) with a 7/16" dia., grade 2 (6.6) bolt available locally.

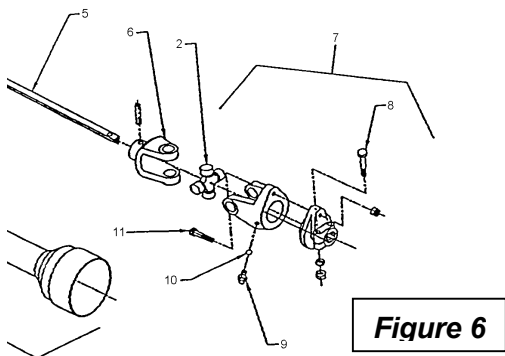


Figure 6

2. Adjust the chain's tension after ten (10) hours of operation. To do so, check the play between the reduction box input shaft and the output shaft by turning the input shaft both ways without the output shaft turning. A play of 10° or 15° requires an adjustment:

- a. Remove the driveline from the reduction box.
 - b. Remove the 12 5/16" bolts from the covers around the input shaft on each side (6 bolts on each side). **Note:** These 2 covers have an eccentric center in relation to the exterior – by turning them, we change the center to center of the shafts and tighten the chain.
 - c. Using a hammer or a screwdriver, slowly turn the two covers in the same direction until the next cover hole is aligned with the threaded hole of the reduction box.
 - d. Check the play between the 2 shafts, as described at point (2.). If the play is still too high repeat step (c.). If the play is correct, reinstall the bolts and the driveline.
 - e. Check the play every 100 hours of operation.
3. After 25 hours of operation and before every season, change the oil from the reduction box with 2.6 liters of SAE 80W90 oil.

Installation of the Knives (Option) (Figure 7)

1. Enlarge the top and bottom holes on each side of the snowblower to Ø1/2". Install the knives (item 1) on the exterior of each snowblower side (item 5) by aligning the top and bottom holes and fasten with the plow bolts, lockwashers and nuts (item 2-3-4).
2. Using the knives as templates, drill the four missing holes and fasten as indicated in step 1.

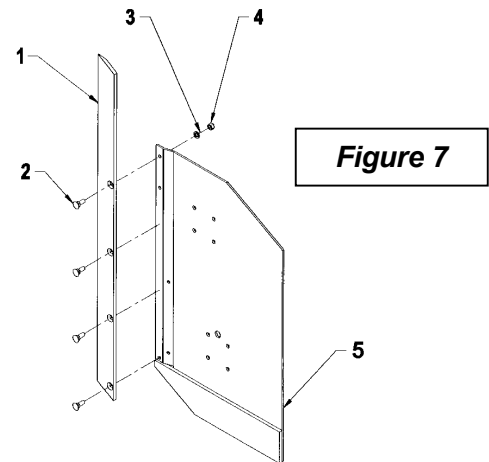


Figure 7

OPERATION

GENERAL PREPARATION

1. Read the operator's manual carefully before using the tractor and snowblower. Be thoroughly familiar with the controls and proper use of the equipment. Know how to stop the unit and disengage the controls quickly.
2. Make sure the snowblower is clear of snow before engaging the driveline.
3. Make sure the auger and fan operate freely.
4. Check the oil level in the worm gear box and if necessary, add 90 SAE gear oil.
5. Check the three shea bolts, one on each auger section and one between the fan and gearbox for proper tightness.
6. Adjust so that the snowblower skid shoes run level.
7. Wear adequate winter outer garments while operating equipment.

OPERATING CONTROLS

Work and Travel Speed

Working ground speed will depend on the depth and density of the snow to be cleared. Normally, ground speed will range from 4 to 7 MPH for light, dry snowfalls 3 to 6 inches, and 1 to 3 MPH for heavy, wet or drifted snow. To transport, disengage the driveshaft and raise the snowblower to full transport height.

Raising and Lowering the Snowblower

Move the three point lever on right hand side of seat down or forward to lower, and up or rearward to raise.

Drive Shaft Operation

The mid drive shaft is activated by pulling up the drive shaft lever on left side of seat. Push down to disengage.

Manual Rotation (if so equipped)

Turning the handle clockwise turns the chute in a clockwise direction.



WARNING: To avoid personal injury, be sure the tractor engine is off, the drive shaft disengaged, and all movement has stopped before making any adjustments.

Deflector Adjustment

Set the angle of deflection according to the distance the snow must be thrown. To set the deflector angle, loosen the two deflector knobs, adjust the deflector to the appropriate angle, and retighten the two knobs securely.

Skid Shoes Adjustment (if so equipped)

Adjust the snowblower so that the skid shoes run level and according to the surface conditions so that stones are not thrown with the snow. Adjust both skid shoes to the same height to keep the cutting edge level and adjust upwards for smooth surfaces.

Loosen skid shoe bolts and adjust according to instructions below, and securely tighten bolts:

Clearance between cutting edge and surface

- Level paved surface : Adjust to 1/16" to 1/8"
- Uneven or gravel surface: Adjust to 1/2" to 5/8"

OPERATION

SNOW REMOVAL METHODS

When removing snow, do not use the snowblower as a dozer blade to push snow. Let the snowblower work its way through deep drifts. If the speed of your tractor is too fast, the snowblower may become overloaded and clog. For best results, raise the snowblower and remove a top layer of snow. A second pass with the snowblower will remove the remaining snow.

IMPORTANT : Use full RPM power when removing wet, sticky snow. Low RPM power will tend to clog the chute.

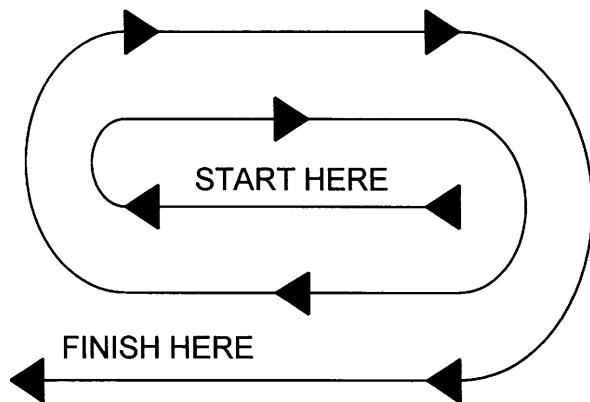


WARNING: Do not use hands or feet to unclog chute. Do not attempt to clear clogged chute of snow while tractor engine is running. If the chute clogs, disengage the drive shaft, shut off the tractor engine, remove the ignition key, wait for all movement to stop, and then clear the snow from the chute.

A definite pattern of operation is required to thoroughly clean the snow area. These patterns will avoid throwing snow in unwanted places as well as eliminating a second removal of snow

PATTERN 1

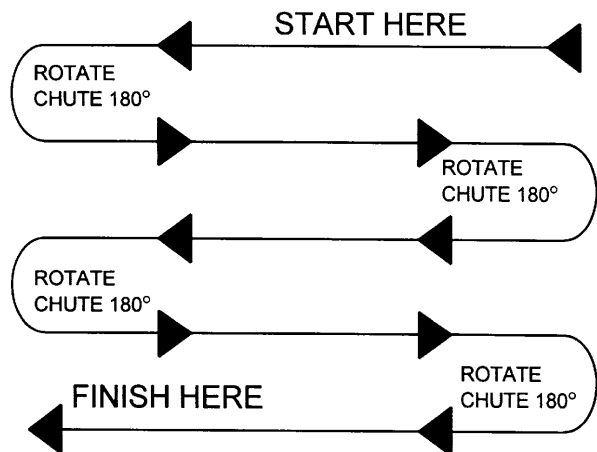
DISCHARGE SNOW BOTH SIDES



Where it is possible to throw the snow to the left and right (above), as on a long driveway, it is advantageous to start in the middle. Plow from one end to the other, throwing snow to both sides without changing the direction of the discharge guide

PATTERN 2

DISCHARGE SNOW THIS SIDE ONLY



If the snow can only be thrown to one side of the driveway or sidewalk (above), start on the opposite side. At the end of the first pass, rotate the discharge guide 180 degrees for the return pass. At the end of each succeeding pass, rotate the discharge guide 180 degrees to maintain direction of throw in the same area.

MAINTENANCE

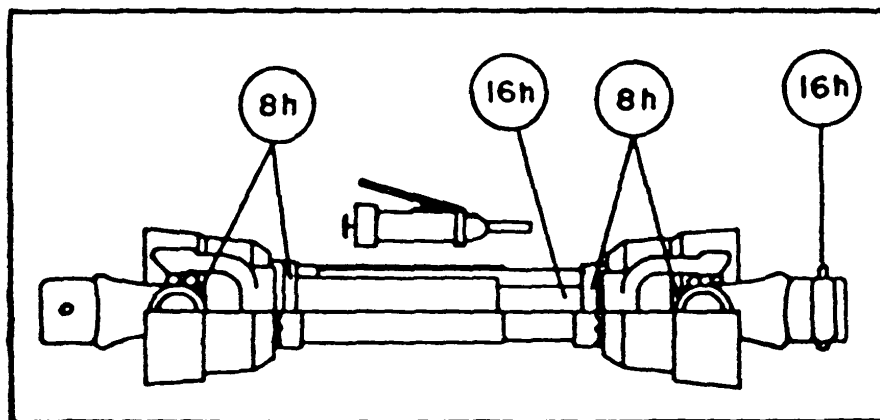
MAINTENANCE

Storage

1. Check the shear bolts at frequent intervals for proper tightness to be sure the blower is in safe working condition.
2. Never store the tractor with fuel in the fuel tank inside a building where open flame or sparks are present. Allow the engine to cool before storing in any enclosure.
3. Run the snowblower a few minutes after blowing snow to prevent freeze up of the auger and the impeller.
4. Provide adequate blocking before working under the snowblower when in the raised position.

Lubrication (see Figure below)

1. **GEAR:** Check the oil level in the worm gear drive every month. If necessary add SAE 90 gear oil.
2. **AUGER SECTIONS:** Grease the fitting on each auger sections every 24 hours of operation or once a year.
3. **REDUCTION CHAIN:** Lubricate with chain saw lubricant every 4 hours of operation and after each use.
4. **ROTATION SHAFT:** Grease the shaft each 8 hours of operation.
5. **DRIVELINE(S):** Grease each u-joint fitting every 8 hours of operation. Slide drive shaft apart and coat sliding surfaces with grease every 16 hours of operation.
6. **DOUBLE CHAIN IDLER SECTIONS:** Grease the areas of the mechanism that have a grease fitting every 24 hours.
7. **ROTARY DRUM – TRC MODELS:** Grease the rotation points every 24 hours of operation. At the end of snow season, clean thoroughly the contour of the drum that comes in contact with the housing and grease generously before storing.



PARTS

INTRODUCTION

All parts are illustrated in "exploded views" which show the individual parts in their normal relationship to each other. Reference numbers are used in the illustrations. These numbers correspond to those in the "Reference Number" (REF) column, and are followed by the description and quantity required.

O/L - "Obtain Locally" in the part number column indicates common hardware that is available at your local hardware supply.

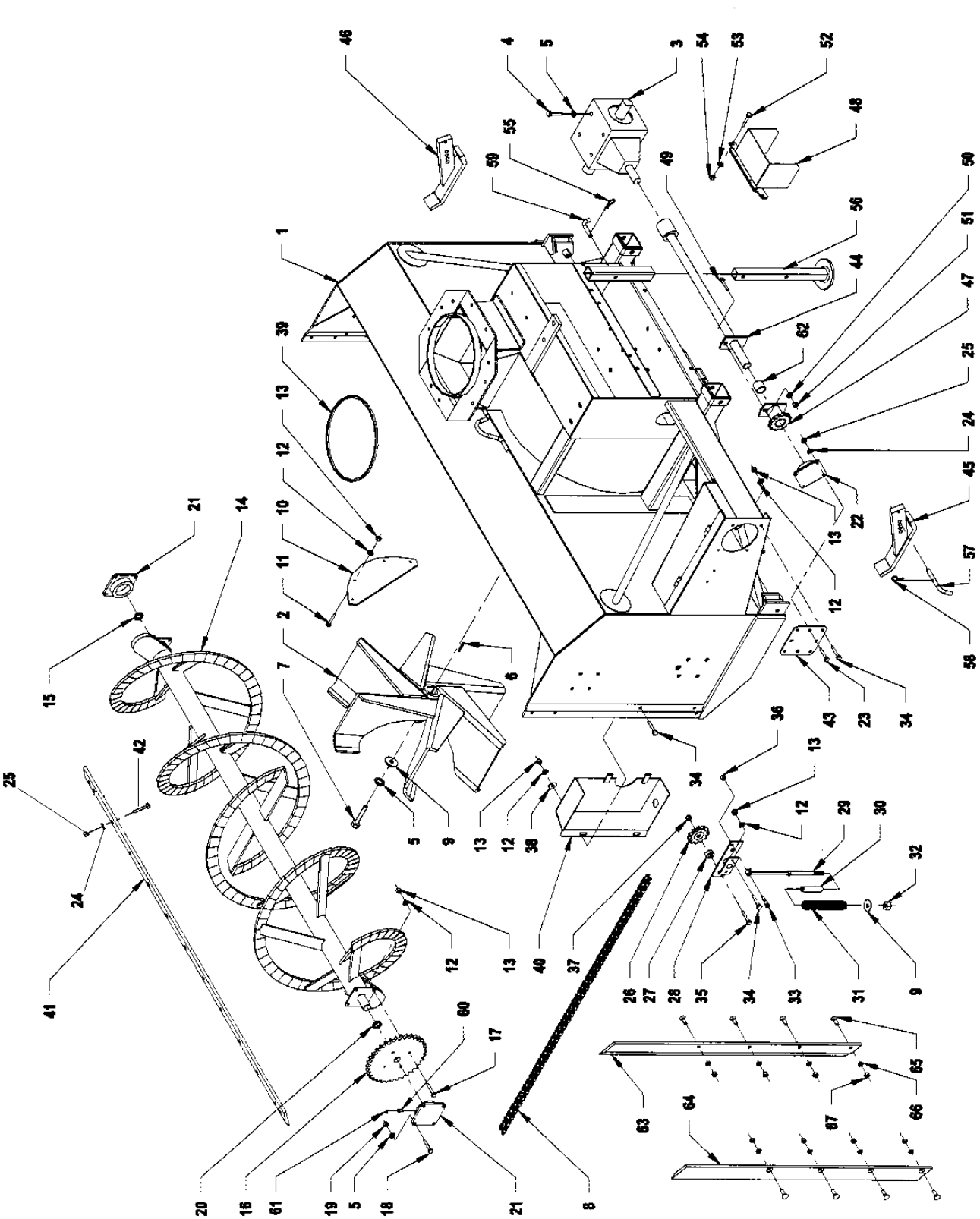
"Right Hand" and "Left Hand" sides of the machines are determined by standing at the rear of the unit and facing in the direction of forward travel.

Orders must give the complete description, correct part number, the total amount required, the serial number, the method of shipment and the shipping address.

Your dealer reserves the right to change, modify, or eliminate from time to time, for technical or other reasons, certain or all data, specifications, or the product or products themselves, without any liability or obligation.

PARTS

SNOWBLOWER SA92 & SA98



PARTS

SNOWBLOWER SA92 AND SA98

REF.	DESCRIPTION	QTY	PART NUMBER	
			SA92	SA98
1	Housing	--	-----	-----
2	Fan	1	662324	662324
3	Assembled gear box	1	662281	662281
4	Hex. bolt (5/8" NC x 1")	8	O/L	O/L
5	Lockwasher 5/8"	17	O/L	O/L
6	Key (1/2" x 1/2" x 4 3/4" lg)	1	662380	662380
7	Hex. bolt(5/8" NC x 2 ")	1	O/L	O/L
8	Chain #80 HC x 89 links	1	664961	664961
9	Flat washer (11/16" dia. hole)	2	O/L	O/L
10	Restriction plate	1	662207	662207
11	Carriage bolt (3/8" NC x 1")	4	O/L	O/L
12	Lockwasher 3/8"	16	O/L	O/L
13	Hex. bolt (3/8" NC)	16	O/L	O/L
14	Auger	1	664409	664431
15	Bushing	1	662368	662368
16	Sprocket (1 1/2" dia. hole)	1	662353	662353
17	Hex. bolt (3/8" NC x 1 1/4")	4	O/L	O/L
18	Hex, bolt (5/8" NC x 1 3/4")	8	O/L	O/L
19	Hex. nut (5/8" NC)	8	O/L	O/L
20	Bushing	1	663672	663672
21	Bearing (1 1/2" dia. hole)	2	654758	654758
22	Bearing (1 1/2" dia. hole)	1	662355	662355
23	Hex. Bolt(1/2" NC x 1 1/2")	4	O/L	O/L
24	Lockwasher (1/2" dia. hole)	17	O/L	O/L
25	Hex. nut (1/2" NC)	17	O/L	O/L
26	Idler sprocket	2	654756	654756
27	Bushing	2	664913	664913
28	Double chain idler	1	664825	664825
29	Idler lever	1	664840	664840
30	Spring guide	1	664841	664841
31	Compression spring	1	664876	664876
32	Stover hex. nut (5/8" NC)	1	O/L	O/L
33	Shoulder screw (1/2" x 3/4", 3/8" nc)	1	664577	664577
34	Hex. bolt (3/8" NC x 1)	8	O/L	O/L
35	Hex. Bolt (3/4" NC x 2 1/2")	2	O/L	O/L
36	Stover hex. nut (3/8" NC)	1	O/L	O/L
37	Stover hex. nut (3/4" NC)	2	O/L	O/L
38	Flatwasher (Ø7/16")	2	O/L	O/L
39	Antifriction ring 1/4"	1	662354	662354
40	Front guard	1	664845	664845
41	Cutting edge	1	664413	664434
42	Carriage bolt (1/2" NC x 1 1/2")	13	O/L	O/L
43	Drive support	1	662874	662874

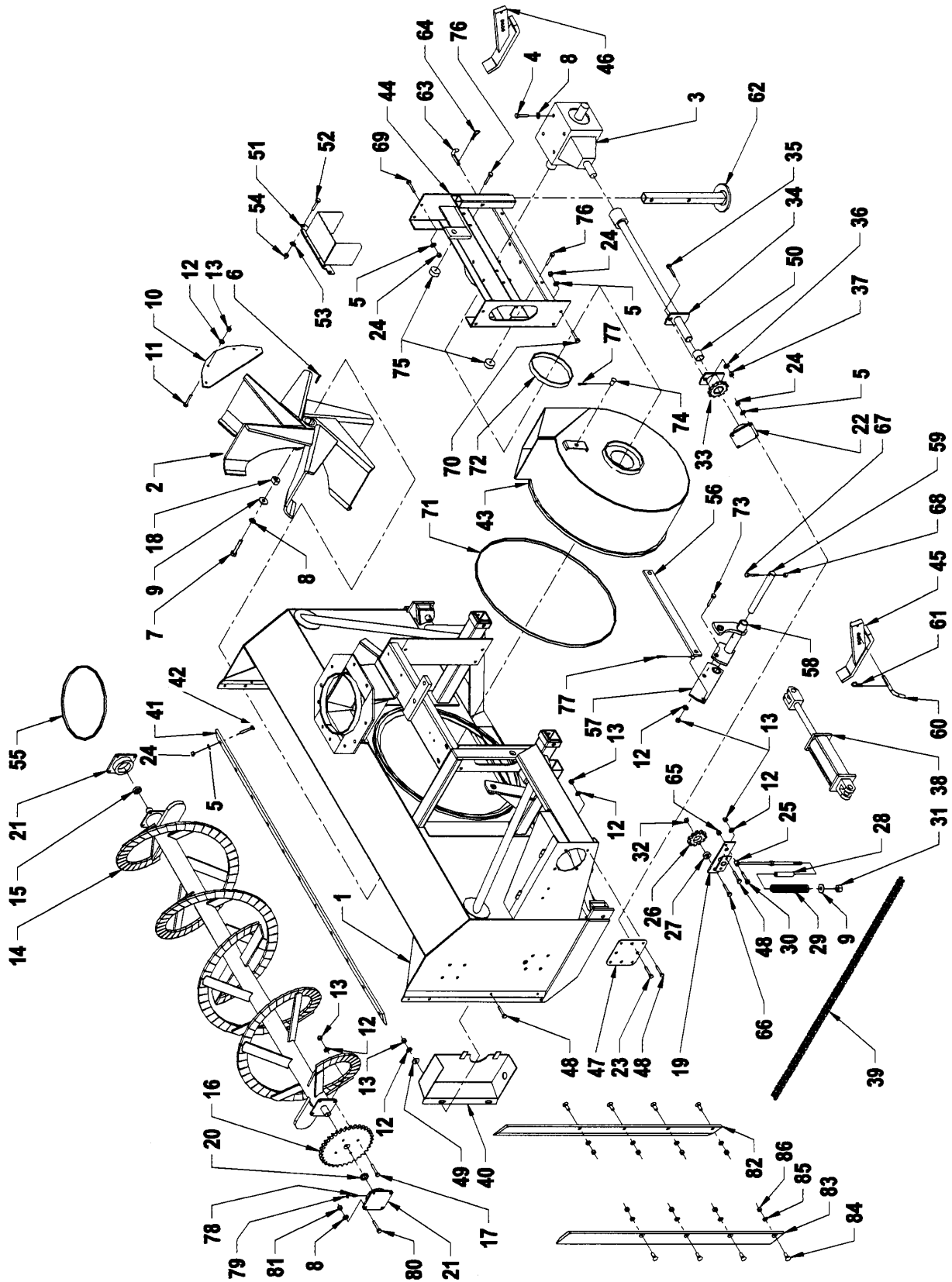
PARTS

SNOWBLOWER SA92 AND SA98

REF.	DESCRIPTION	QTY	PART NUMBER	QTY	PART NUMBER
		SA92		SA98	
44	Drive shaft	1	664914	1	664914
45	Left skid shoe	1	662250	1	662250
46	Right skid shoe	1	662251	1	662251
47	Shear Plate	1	664915	1	664915
48	Driveline guard	1	663675	1	663675
49	Hex. bolt (5/16" NC x 2")	1	O/L	2	O/L
50	Lock washer (5/16")	1	O/L	2	O/L
51	Hex. nut (5/16" NC)	1	663675	1	663675
52	Hex. bolt (7/16" NC x 1")	2	O/L	2	O/L
53	Lockwasher 7/16"	2	O/L	2	O/L
54	Hex. nut (7/16" NC)	2	O/L	2	O/L
55	Hair pin (Ø 4mm x 80mm)	1	O/L	1	O/L
56	Parking stand	2	662252	2	662252
57	Pin (5/8" x 6 13/16")	2	662400	2	662400
58	Hair pin (Ø 3/16" x 3 3/4")	2	O/L	2	O/L
59	Pin (5/8" x 5 1/16")	1	O/L	1	O/L
60	Grease fitting extension	1	662303	1	662303
61	Grease fitting 1/4" NF 90°	1	658566	1	658566
62	Bushing	1	665127	1	665127
OPTIONAL					
63	Right vertical knife	1	664906	1	664906
64	Left vertical knife	1	664905	1	664905
65	Carriage bolt (1/2 NC x 1 1/2")	8	O/L	8	O/L
66	Lockwasher 1/2"	8	O/L	8	O/L
67	Hex. nut 1/2" NC	8	O/L	8	O/L

PARTS

SNOWBLOWER SA92TRC, SA98TRC ET SA104TRC



PARTS

SNOWBLOWER SA92TRC, SA98TRC ET SA104TRC

REF.	DESCRIPTION	QTY	PART #	QTY	PART #	QTY	PART #
			SA92TRC		SA98TRC		SA104TRC
1	Housing	--	----	--	----	--	----
2	Fan	1	662324	1	662324	1	662324
3	Gear box assembled	1	662281	1	662281	1	662281
4	Hex. bolt 5/8" NC x 1"	8	O/L	8	O/L	8	O/L
5	Lockwasher 1/2"	25	O/L	25	O/L	25	O/L
6	Key 1/2" x 1/2" x 4 3/4" lg	1	662380	1	662380	1	662380
7	Hex. bolt 5/8" NC x 3 1/4"	1	O/L	1	O/L	1	O/L
8	Lockwasher 5/8"	17	O/L	17	O/L	17	O/L
9	Flatwasher 11/16" dia. hole	2	O/L	2	O/L	2	O/L
10	Restriction plate	1	662207	1	662207	1	662207
11	Carriage bolt 3/8" NC x 1"	4	O/L	4	O/L	4	O/L
12	Lockwasher 3/8"	17	O/L	17	O/L	17	O/L
13	Hex. nut 3/8" NC	17	O/L	17	O/L	17	O/L
14	Auger	1	664409	1	664431	1	662382
15	Bushing	1	662368	1	662368	1	662368
16	Sprocket 1 1/2" dia. hole	1	662353	1	662353	1	662353
17	Hex. bolt 3/8" NC x 1 1/4"	4	O/L	4	O/L	4	O/L
18	Fan bushing	1	662351	1	662351	1	662351
19	Double chain idler	1	664825	1	664825	1	664825
20	Bushing	1	663672	1	663672	1	663672
21	Bearing 1 1/2" dia. hole	2	654758	2	654758	2	654758
22	Bearing 1 1/2" dia. hole	1	662355	1	662355	1	662355
23	Hex. bolt 1/2" NC x 1 1/2"	4	O/L	4	O/L	4	O/L
24	Hex. nut 1/2" NC	25	O/L	25	O/L	25	O/L
25	Idler lever	1	664840	1	664840	1	664840
26	Idler sprocket	2	654756	2	654756	2	654756
27	Bushing	2	664913	2	664913	2	664913
28	Spring guide	1	664841	1	664841	1	664841
29	Compression spring	1	664876	1	664876	1	664876
30	Shoulder screw 1/2" x 3/4", 3/8" NC	1	664577	1	664577	1	664577
31	Stover nut 5/8" NC	1	O/L	1	O/L	1	O/L
32	Stover nut 3/4" NC	2	O/L	2	O/L	2	O/L
33	Shear plate	1	664915	1	664915	1	664915
34	Drive shaft	1	664914	1	664926	1	664933
35	Hex. bolt. 5/16" NC x 2"	1	O/L	1	O/L	1	O/L
36	Lockwasher 5/16"	1	O/L	1	O/L	1	O/L
37	Hex. nut 5/16" NC	1	O/L	1	O/L	1	O/L
38	Cylinder	1	654129	1	654129	1	654129
39	Chain #80HCx 91 links & connect. link	1	664921	1	664921	1	664921
40	Front guard	1	664895	1	664895	1	664895
41	Cutting edge	1	664413	1	664434	1	662385
42	Carriage bolt 1/2" NC x 1 1/2"	13	O/L	13	O/L	13	O/L
43	Rotary drum	1	662341	1	662341	1	662341

PARTS

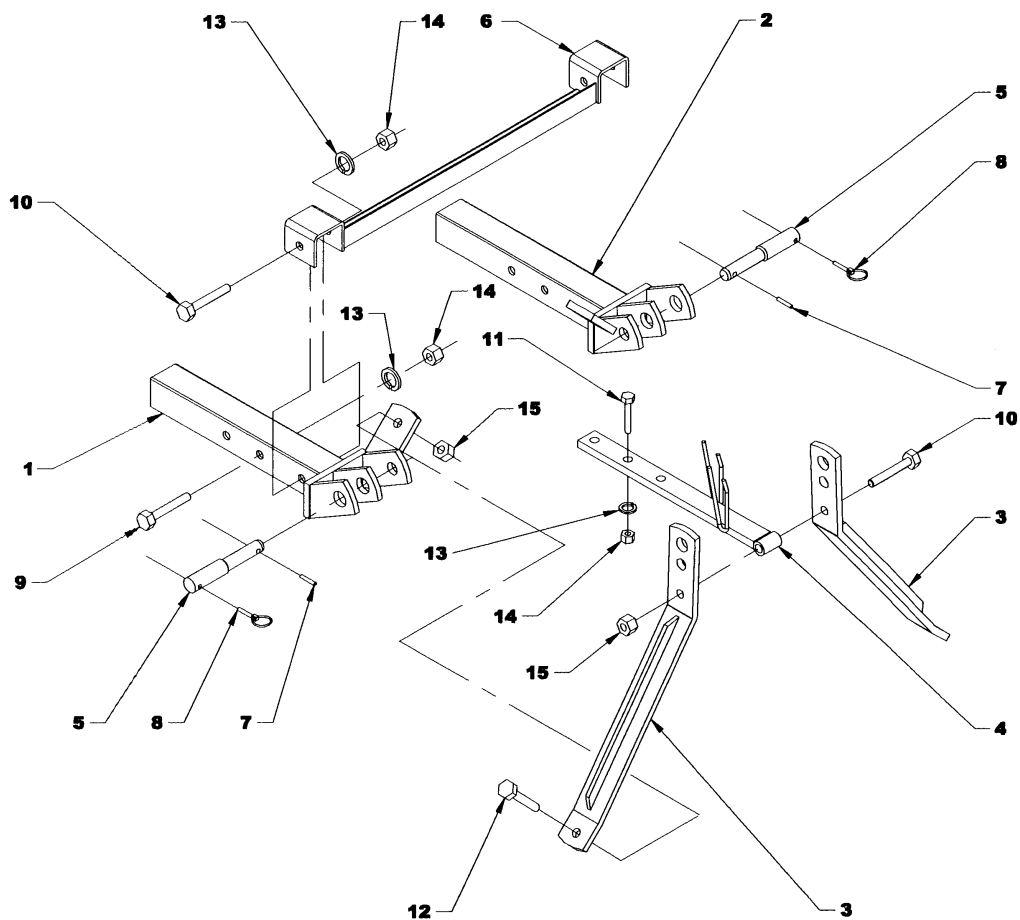
SNOWBLOWER SA92TRC, SA98TRC & SA104TRC

REF.	DESCRIPTION	QTY	PART #	QTY	PART #	QTY	PART #
			SA92TRC		SA98TRC		SA104TRC
44	Rear drawer	1	662340	1	662340	1	662340
45	Left skid shoe	1	662250	1	662250	1	662250
46	Right skid shoe	1	662251	1	662251	1	662251
47	Drive support	1	662874	1	662874	1	662874
48	Hex. bolt 3/8" NC x 1"	8	O/L	8	O/L	8	O/L
49	Lockwasher Ø7/16"	2	O/L	2	O/L	2	O/L
50	Bushing	2	665127	2	665127	2	665127
51	Driveline guard	1	663675	1	663675	1	663675
52	Hex. bolt 7/16" NC x 1"	2	O/L	2	O/L	2	O/L
53	Lockwasher 7/16"	2	O/L	2	O/L	2	O/L
54	Hex. nut 7/16" NC	2	O/L	2	O/L	2	O/L
55	"UHMW" ring 1/4"	1	662354	1	662354	1	662354
56	Rotation plate - drum	1	662347	1	662347	1	662347
57	Rotation arm - drum	1	662246	1	662246	1	662246
58	Rotation lever - drum	1	662417	1	662417	1	662417
59	Rotation rod - drum	1	662248	1	662248	1	662248
60	Pin Ø5/8" dia.x 6 13/16" lg	2	662400	2	662400	2	662400
61	Hairpin Ø3/16" x 3 3/4" lg.	2	O/L	2	O/L	2	O/L
62	Parking stand	1	662252	1	662252	1	662252
63	Pin Ø5/8" dia.x 5 1/16" lg	1	30767	1	30767	1	30767
64	Hairpin Ø4mm x 80mm lg.	1	O/L	1	O/L	1	O/L
65	Hex. nut 3/8" NC – stover	1	O/L	1	O/L	1	O/L
66	Hex. bolt 3/4" NC x 2 1/2"	2	O/L	2	O/L	2	O/L
67	Hex. bolt 5/16" NC x 2 1/4"	1	O/L	1	O/L	1	O/L
68	Hex. nut nylon 5/16" NC	1	O/L	1	O/L	1	O/L
69	Hex. bolt 1/2" NC x 1 1/4"	4	O/L	4	O/L	4	O/L
70	Hex. bolt 1/2" NC x 1 3/4"	4	O/L	4	O/L	4	O/L
71	Anti-friction strip "UHMW" 3/8" x 1/2"	1	662378	1	662378	1	662378
72	Anti-friction strip "UHMW" 3/8" x 1"	1	661988	1	661988	1	661988
73	Hex. bolt 3/8" x 2"	1	O/L	1	O/L	1	O/L
74	Pin Ø3/4" x 1 3/16"	1	662248	1	662248	1	662248
75	Rotary drum stopper	2	659078	2	659078	2	659078
76	Tapping screw 3/8" x 1"	2	O/L	2	O/L	2	O/L
77	Cotter pin Ø3/16" x 1 1/2"	2	O/L	2	O/L	2	O/L
78	Grease fitting extension	1	662303	1	662303	1	662303
79	Grease fitting 1/4" NF @ 90°	1	658566	1	658566	1	658566
80	Hex. bolt 5/8" NC x 1 3/4"	8	O/L	8	O/L	8	O/L
81	Hex. nut 5/8" NC	8	O/L	8	O/L	8	O/L
OPTIONAL							
82	Right vertical knife	1	664906	1	664906	1	664906
83	Left vertical knife	1	664905	1	664905	1	664905
84	Plow bolt 1/2" NC x 1 1/2"	8	O/L	8	O/L	8	O/L
85	Lockwasher 1/2"	8	O/L	8	O/L	8	O/L
86	Hex. nut 1/2" NC	8	O/L	8	O/L	8	O/L

PARTS

THREE POINT HITCH

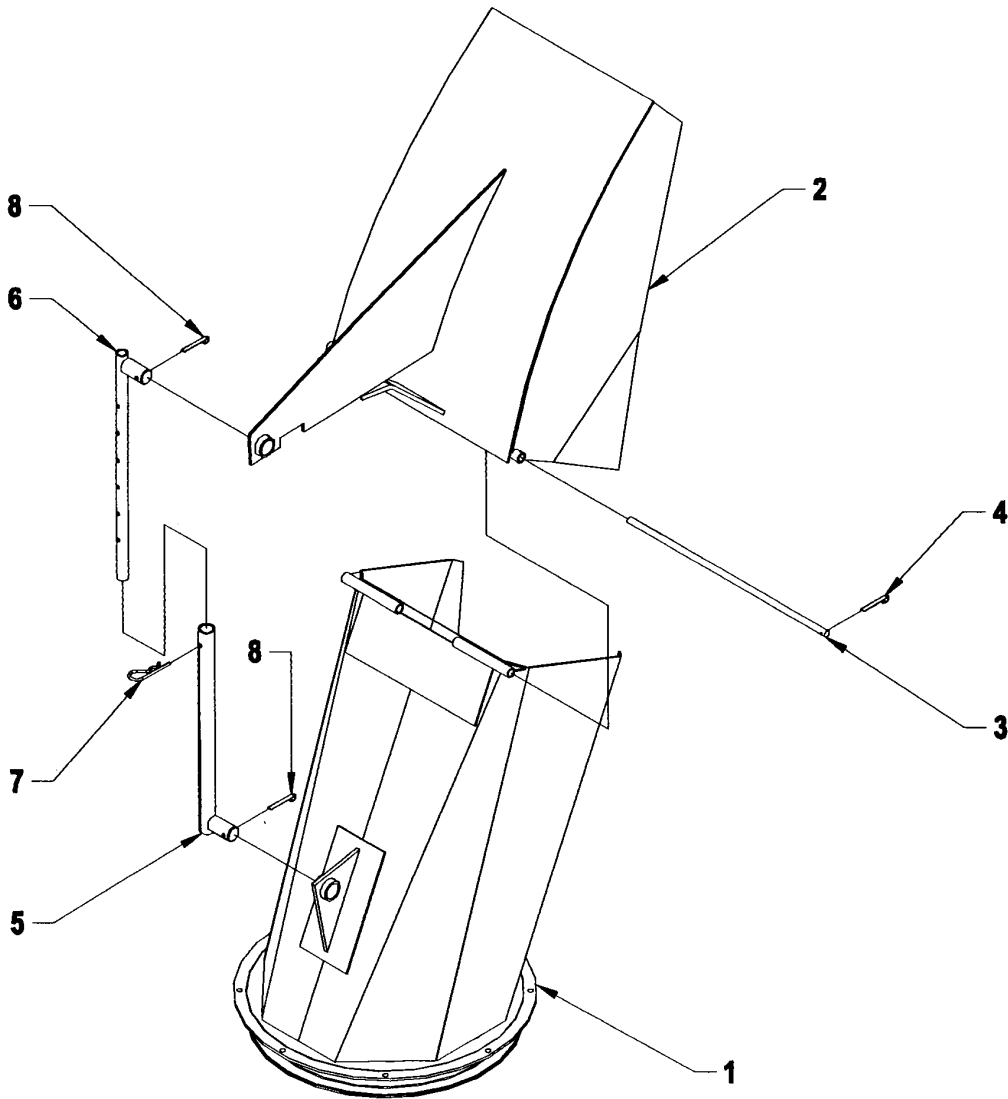
REF.	DESCRIPTION	QTY	PART NUMBER
1	Left lower hitch	1	662369
2	Right lower hitch	1	662370
3	Attaching plate	2	662372
4	Upper hitch	1	662371
5	Pin CAT. 2 & 3	2	30209
6	Brace	1	664125
7	Roll pin (1/4" dia. x 1 3/4" lg.)	2	O/L
8	Linchpin (7/16" dia.)	2	O/L
9	Hex. bolt (3/4" NC x 5 1/4")	2	O/L
10	Hex. bolt (3/4" NC x 4 1/2")	3	O/L
11	Hex. bolt (3/4" NC x 2 1/2")	2	O/L
12	Hex. bolt (3/4" NC x 2")	2	O/L
13	Lockwasher (3/4")	6	O/L
14	Hex. nut (3/4" NC)	6	O/L
15	Stover hex. nut (3/4" NC)	3	O/L



PARTS

STANDARD CHUTE – KIT 9488

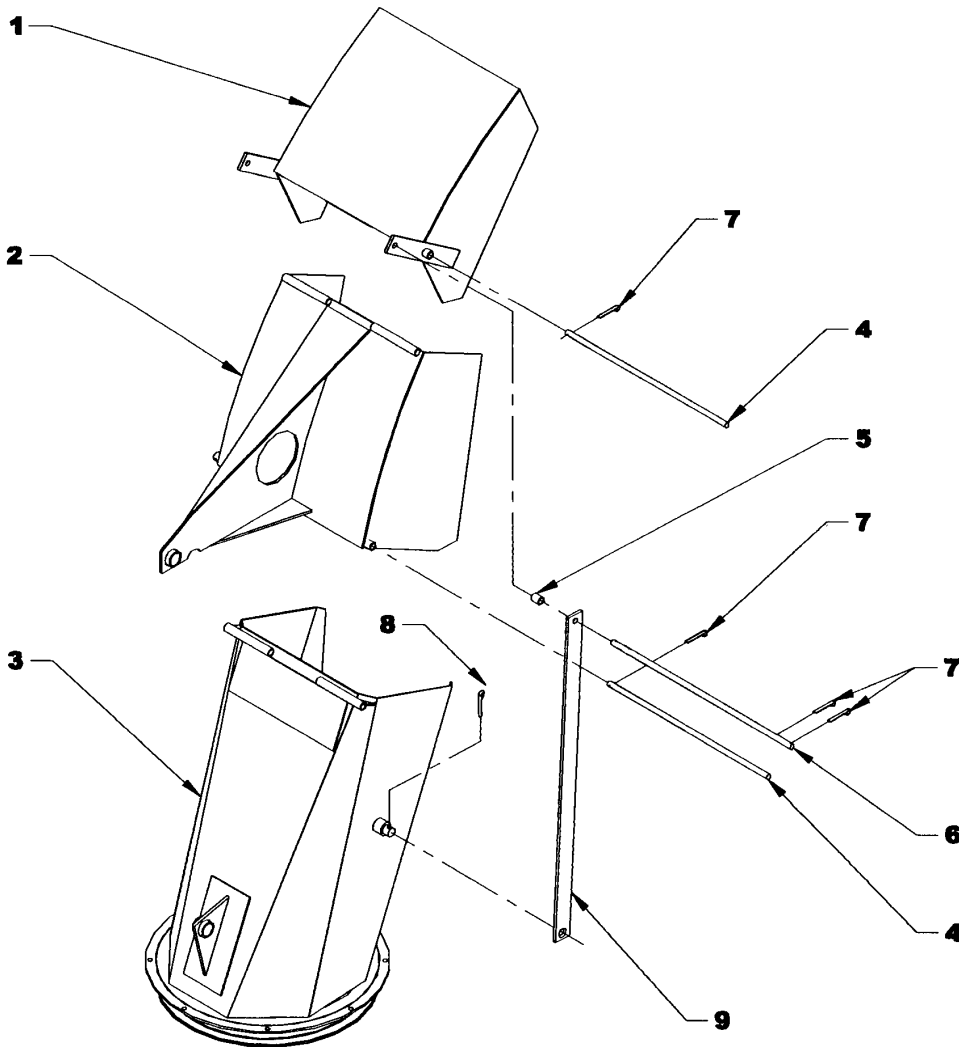
REF.	DESCRIPTION	QTY	PART NUMBER
1	Chute base	1	662863
2	Adjustable deflector	1	662865
3	Hinge pin	1	654668
4	Cotter pin (3/32" x 1" lg.)	1	O/L
5	Adjusting tube	1	654076
6	Adjusting rod	1	654074
7	Hairpin (5mm dia. x 100 mm)	1	O/L
8	Cotter pin (1/4" dia. x 2")	2	O/L



PARTS

SEMI-INDUSTRIAL CHUTE – KIT 9493

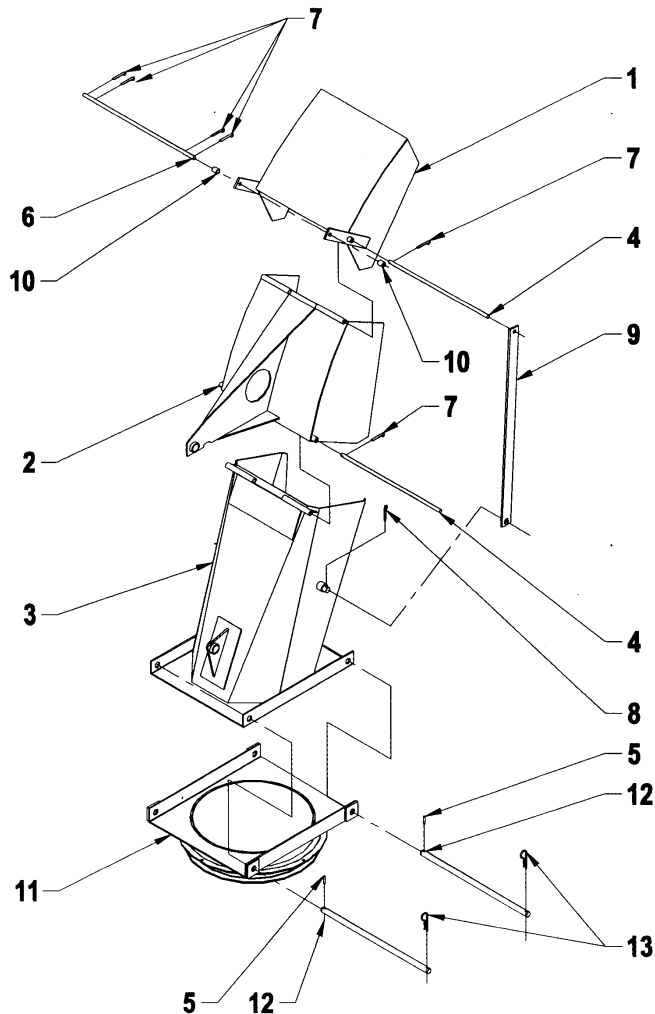
REF.	DESCRIPTION	QTY	PART NUMBER
1	Deflector	1	662667
2	Middle deflector	1	662665
3	Chute base	1	662996
4	Upper hinge rod	2	662668
5	Bushing 3/4"	2	663249
6	Upper deflector adjusting rod	1	662669
7	Cotter pin (1/8" dia. X 1")	6	O/L
8	Cotter pin (3/16" dia. x 1 1/2")	2	O/L
9	Adjusting arm	2	662432



PARTS

INDUSTRIAL CHUTE – KIT 9486

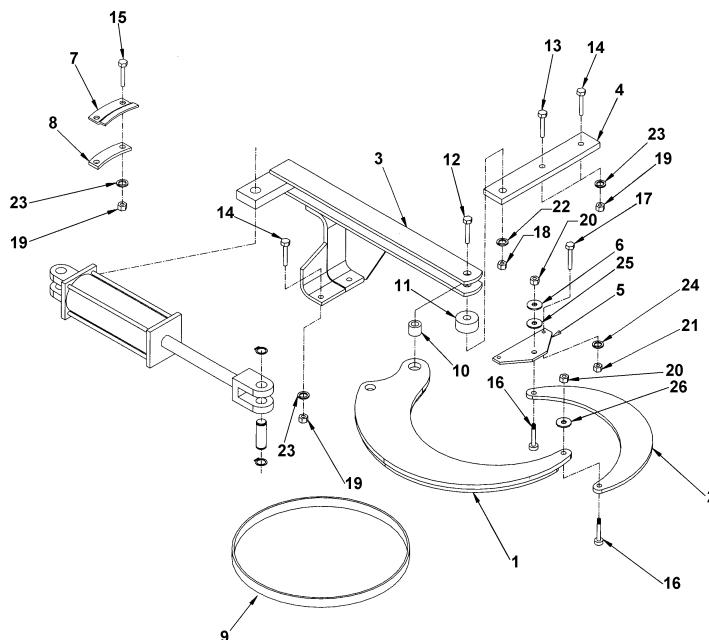
REF.	DESCRIPTION	QTY	PART NUMBER
1	Deflector	1	662667
2	Middle deflector	1	662665
3	Chute base	1	662664
4	Upper hinge rod	2	662668
5	Roll pin (1/4 x 1 1/2")	2	O/L
6	Adjusting rod	1	662669
7	Cotter pin (1/8" dia. x 1")	6	O/L
8	Cotter pin (3/16" dia. x 1 1/2")	2	O/L
9	Adjusting arm	2	662432
10	Bushing 3/4"	2	663249
11	Chute ring	1	662359
12	Pin	2	662436
13	Hairpin (5 mm dia. x 100mm)	2	O/L



PARTS

HYDRAULIC ROTATION BY CYLINDER – KIT 8069

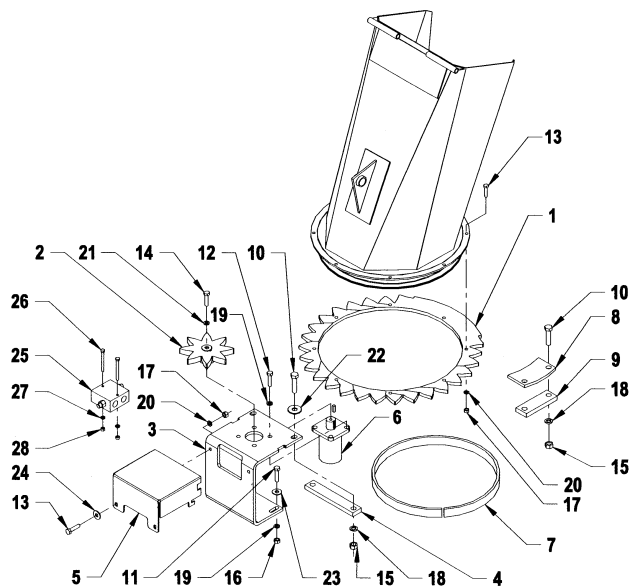
REF.	DESCRIPTION	QTY	PART NUMBER
1	Bell crank	1	664536
2	Push arm	1	664535
3	Cylinder bracket	1	664534
4	Bell crank bracket	1	664537
5	Push arm bracket	1	664538
6	Flatwasher (7/16" dia. hole)	2	O/L
7	Retaining plate	3	654077
8	Spacer	3	661643
9	Anti-friction ring "UHMW"	1	662403
10	Bushing	1	664476
11	Spacer	1	664477
12	Hex. bolt (3/4" NC x 4 1/2")	1	O/L
13	Hex. bolt (1/2" NC x 2 1/4")	1	O/L
14	Hex. bolt (1/2" NC x 1 3/4")	2	O/L
15	Hex. bolt (1/2" NC x 1 1/2")	5	O/L
16	Shoulder screw (1/2" x 3/4")	2	664577
17	Hex. bolt (5/16" NC x 1")	2	O/L
18	Hex. nut (3/4" NC)	1	O/L
19	Hex. nut (1/2" NC)	9	O/L
20	Stover nut (3/8" NC)	2	O/L
21	Hex. nut (5/16" NC)	2	O/L
22	Lockwasher 3/4"	1	O/L
23	Lockwasher 1/2"	9	O/L
24	Lockwasher 5/16"	2	O/L
25	Flatwasher Ø9/16"	1	O/L



PARTS

HYDRAULIC ROTATION BY MOTOR – KIT 8048

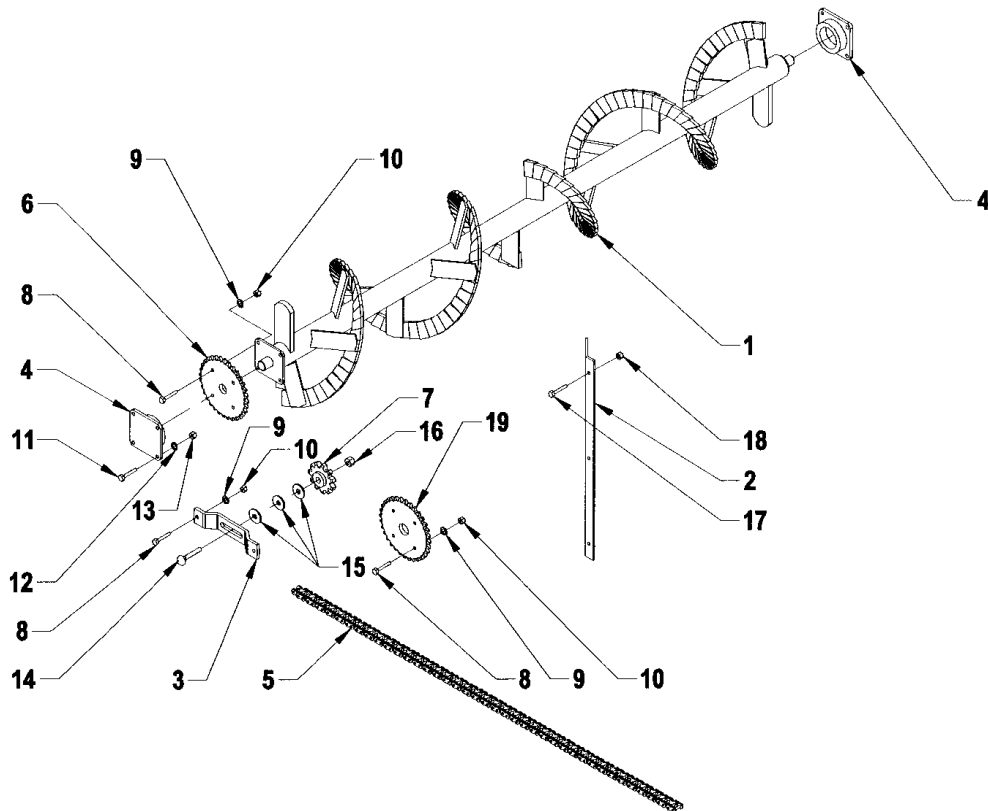
REF.	DESCRIPTION	QTY	PART NUMBER
1	Gear of the chute	1	662405
2	Gear of the motor	1	662272
3	Motor support	1	664838
4	Spacer	1	664831
5	Cover guard	1	664839
6	Hydraulic Motor	1	662448
7	Anti-friction strip "UHMW" 1/4" x 1"	1	662402
8	Retaining plate	3	662262
9	Spacer	3	662263
10	Hex. bolt (1/2" NC x 2")	8	O/L
11	Hex. bolt (3/8" NC x 1 1/4")	2	O/L
12	Hex. bolt (3/8" NC x 3/4")	4	O/L
13	Hex. bolt (5/16" NC x 1")	10	O/L
14	Hex. bolt (1/4"NC x 1")	1	O/L
15	Hex. nut (1/2" NC)	8	O/L
16	Hex. nut (3/8" NC)	2	O/L
17	Hex. nut (5/16" NC)	10	O/L
18	Lockwasher (1/2")	8	O/L
19	Lockwasher (3/8")	6	O/L
20	Lockwasher (5/16")	10	O/L
21	Lockwasher (1/4")	1	O/L
22	Flatwasher (9/16" dia. hole)	2	O/L
23	Flatwasher (Ø 7/16")	2	O/L
24	Flatwasher (Ø 3/8")	2	O/L
OPTIONAL			
25	Cushion valve	1	664999
26	Hex. bolt (1/4" NC x 2")	2	O/L
27	Lockwasher	2	O/L
28	Hex.nut (1/4" NC)	2	O/L



PARTS

SECOND AUGER CONVERSION - KITS – 8049 – 8050

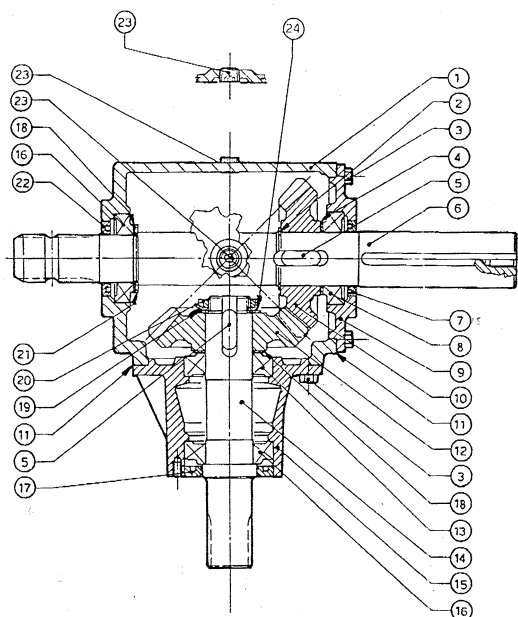
REF.	DESCRIPTION	QTY	PART NUMBER	
			SA92TRC	SA98TRC
1	Upper auger	1	664522	664503
2	Chain guard	1	662443	662443
3	Chain idler support	1	655782	655782
4	Bearing (4 holes 1 1/4" dia.)	2	654082	654082
5	Chain #60 x 90 links & half-link	1	662447	662447
6	Sprocket #60A32 (1 1/4" dia. hole)	1	654167	654167
7	Idler sprocket CA60	1	654010	654010
8	Hex. bolt (3/8" NC x 1 1/4")	10	O/L	O/L
9	Lockwasher 3/8"	10	O/L	O/L
10	Hex. nut (3/8" NC)	10	O/L	O/L
11	Hex. bolt (1/2" NC x 1 1/2")	8	O/L	O/L
12	Lockwasher 1/2"	8	O/L	O/L
13	Hex. nut (1/2" NC)	8	O/L	O/L
14	Carriage bolt (5/8" NC x 2 1/2")	1	O/L	O/L
15	Flatwasher (11/16" dia. hole)	3	O/L	O/L
16	Hex. nut (5/8" NC)	1	O/L	O/L
17	Hex. bolt (3/8" NC x 1")	3	O/L	O/L
18	Hex. nut (3/8" NC)	1	O/L	O/L
19	Sprocket #60A32 (1 1/2" dia. hole)	1	662444	662444



PARTS

GEARBOX (662281)

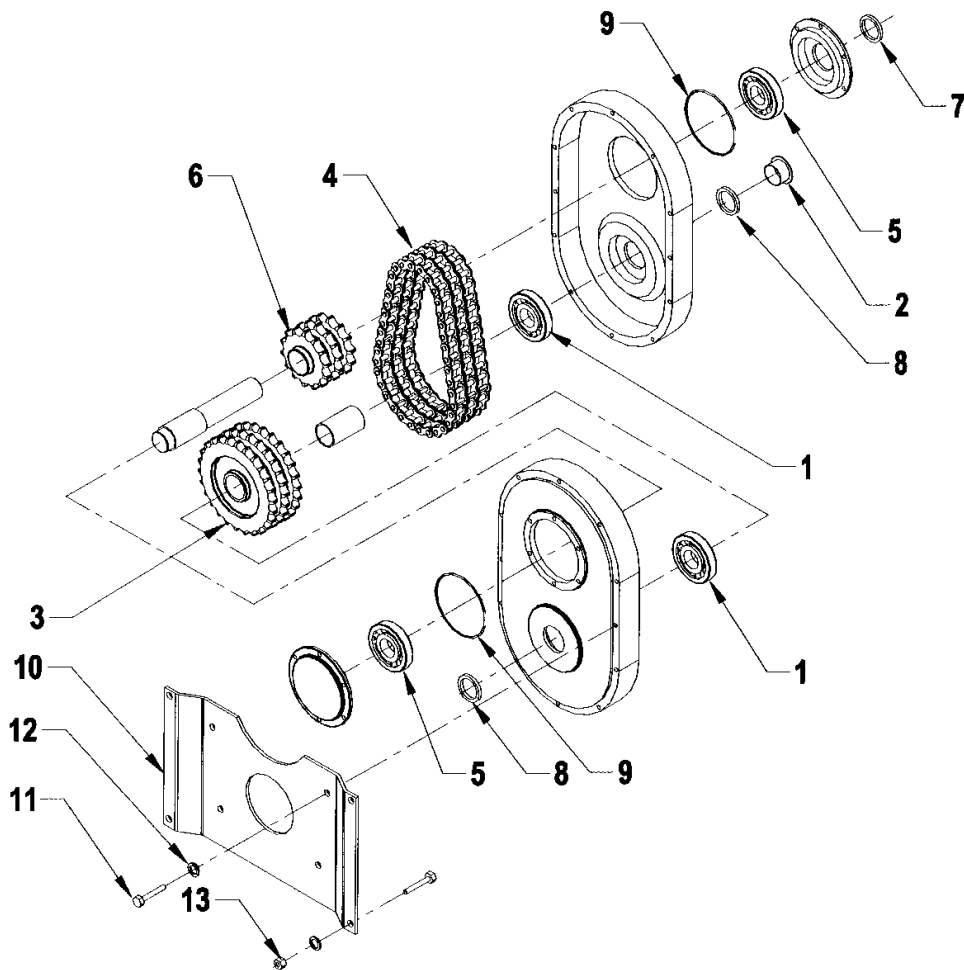
REF.	DESCRIPTION	QTY	PART NUMBER
1	Casing	1	658850
2	Snap ring	1	662311
3	Bolt (M10 x 22 - 8,8)	16	658852
4	Shim	1	658853
5	Key	2	658854
6	Shaft	1	662282
7	Oil seal (50 x 72 x 8)	1	658856
8	Bearing	1	658857
9	Cover	1	658858
10	Gear	1	662435
11	Gasket	2	658860
12	Gear	1	658861
13	Bearing	1	658862
14	Shaft	1	658863
15	Extension	1	658864
16	Bearing	2	658865
17	Oil seal (52 x 85 x 10)	1	658866
18	Shim	2	658867
19	Snap ring	1	658868
20	Locknut (M40 x 1.5)	1	658869
21	Spring washer	1	662283
22	Oil seal (45 x 72 x 8)	1	658871
23	Plug 3/8" NPT	4	658872
24	Snap ring	1	658870



PARTS

REDUCTION GEARBOX - 8097

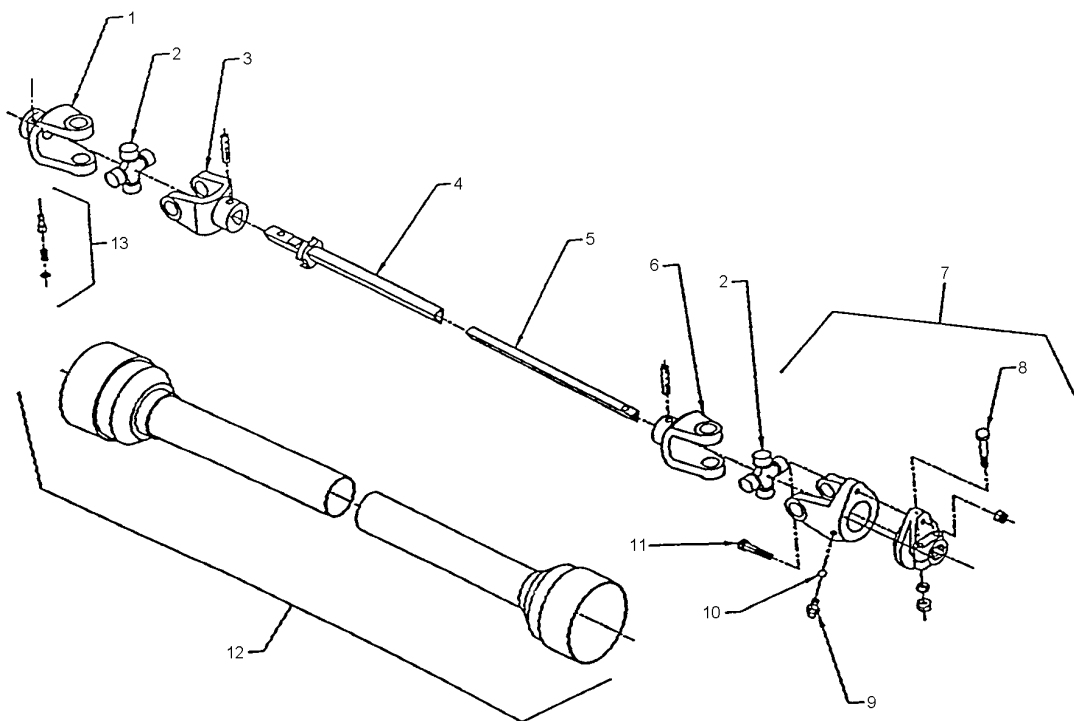
REF.	DESCRIPTION	QTY.	PART NUMBER
1	Bearing 6232	2	665115
2	Seal cover	1	665116
3	Sprocket 80-3 A26	1	665117
4	Chain 80-3 x 36"	1	665118
5	Bearing 6309	2	665119
6	Sprocket 80-3 A14	1	665120
7	Double lip seal	1	665121
8	O-ring	2	665122
9	Double lip seal	2	665123
10	Reduction box support	1	664837
11	Hex.bolt 1/2" NC x 1 1/4"	8	O/L
12	Lockwasher 1/2"	8	O/L
13	Hex. nut 1/2" NC	4	O/L



PARTS

DRIVELINE (662288)

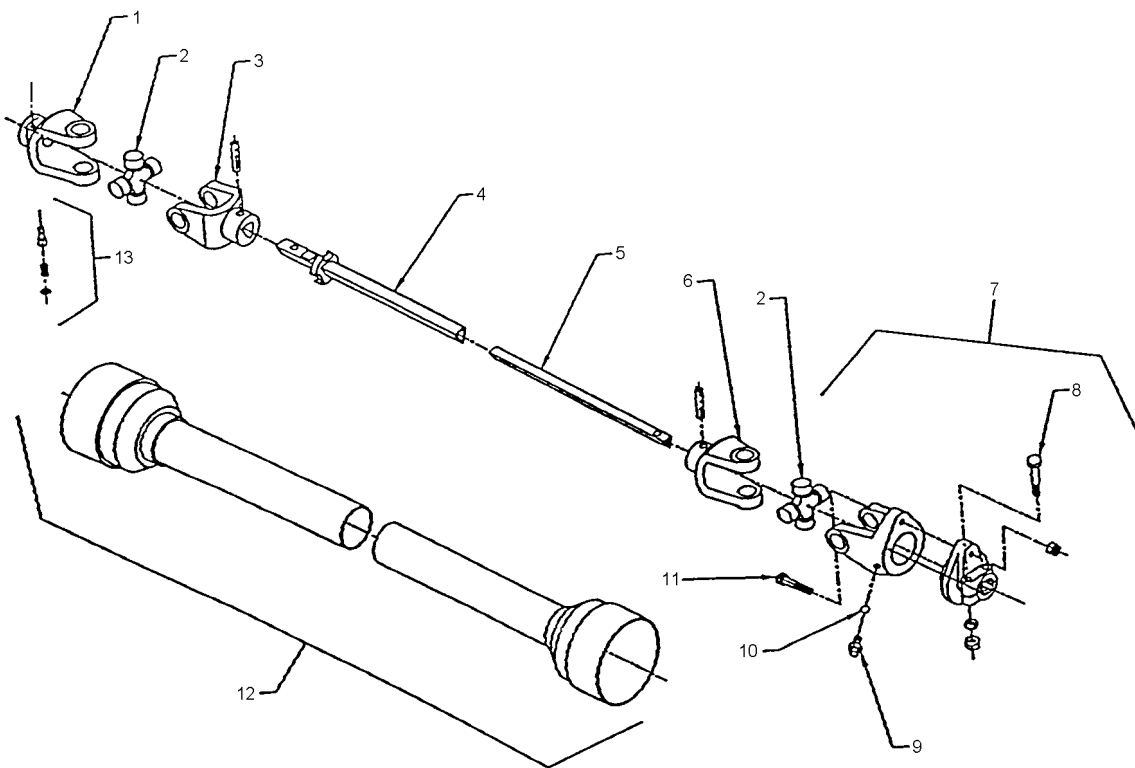
REF.	DESCRIPTION	QTY.	PART NUMBER
1	Push pin yoke assembly	1	662289
2	Universal joint kit	2	662023
3	Outer yoke	1	663152
4	Outer tube	1	663155
5	Inner tube	1 </td <td>663156</td>	663156
6	Inner yoke	1	663158
7	Yoke and hub assembly	1	662294
8	Bolt and nut	2	662297
9	Grease fitting	1	663161
10	Ball	24	663162
11	Shear bolt and nut	1	662296
12	Shields with safety chain	1	662298
13	Safety pin	1	662291



PARTS

HEAVY DUTY DRIVELINE (8032)

REF.	DESCRIPTION	QTY.	PART NUMBER
1	Push pin yoke assembly	1	664619
2	Universal joint	2	664620
3	Outer yoke	1	664621
4	Outer tube	1	664622
5	Inner tube	1 </td <td>664623</td>	664623
6	Inner yoke	1	664624
7	Yoke and hub assembly	1	664625
8	Bolt and nut	2	664569
9	Grease fitting	1	663161
10	Ball	24	663162
11	Shear bolt and nut	1	664570
12	Shields with safety chain	1	664626
13	Safety pin	1	664568



WARRANTY



RAD TECHNOLOGIES INC.

RAD TECHNOLOGIES INC. warrants to the original buyer that the equipment is free from defects in material and workmanship. RAD TECHNOLOGIES INC.'s obligation, under this warranty, will be limited to the repair or replacement of any non-wear part or component, which RAD TECHNOLOGIES INC. finds to be defective within **one year** from the date of original purchase (unless otherwise-specified). The applicable warranty period for commercial or rental use shall be ninety (90) days from the date of purchase

In no event shall RAD TECHNOLOGIES INC. be liable for consequential, special, direct or indirect damages incurred by the buyer/user.

All components not manufactured by RAD TECHNOLOGIES INC. (such as motors, actuators, hydraulic components, tires, ...etc.) are covered by the original manufacturer's warranty in conjunction with RAD TECHNOLOGIES INC..

RAD's obligation under this warranty shall be limited to repairing or replacing, free of charge to the original purchaser, any part that, in RAD's judgment, shall show evidence of such defect, provided the **distributor** returns the part prepaid within thirty (30) days from date of failure.

This warranty shall not be interpreted to render RAD TECHNOLOGIES INC. liable for injuries or damages of any kind or nature to person or property. This warranty does not extend to losses because of delays, or to any expenses or losses incurred for labor, substitute machinery, rental or for any other reason.

Except as set forth above, RAD TECHNOLOGIES INC. shall have no obligation or liability of any kind on account of any of its equipment and shall not be liable for special or consequential damages. RAD TECHNOLOGIES INC. makes no other warranty, expressed or implied, and specifically, RAD TECHNOLOGIES INC. disclaims any implied warranty or merchantability or fitness for a particular purpose. **Some states or provinces do not permit limitations or exclusions of implied warranties or incidental or consequential damages, so the limitations or exclusions in this warranty may not apply.**

This warranty is subject to any existing conditions of supply, which may directly affect our ability to obtain materials or manufacture replacement parts. RAD TECHNOLOGIES INC. reserves the right to make improvements in design or changes in specifications at any time, without incurring any obligation to owners of units previously sold.

No one is authorized to alter, modify or enlarge this warranty nor the exclusions, limitations and reservations.

2835 Chemin de l'Aéroport, Thetford Mines (Québec) G6G 5R7

Tél.: (418) 338-4499 Fax: (418) 388-6090

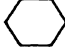

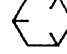
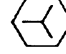



Internet: www.radinter.com [EMAIL: radtech@radinter.com](mailto:radtech@radinter.com)

TORQUE SPECIFICATION TABLE

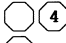
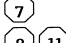
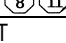
GENERAL SPECIFICATION TABLE

Use the following torques when special torques are not given

NOTE: These values apply to fasteners as received from supplier, dry, or when lubricated with normal engine oil. They do not apply if special graphited or moly disulfide greases or other extreme pressure lubricants are used. This applies to both UNF and UNC threads.

SEE Grade No.		2				5				8			
BOLT HEAD IDENTIFICATION MARKS AS PER GRADE NOTE: MANUFACTURING MARKS WILL VARY.						  				  			
		Torque				Torque				Torque			
		BOLT SIZES		Pounds Feet		Newton-Meters		Pounds Feet		Newton-Meters		Pounds Feet	
Inches	Millimeters	MIN.	MAX.	MIN.	MAX.	MIN.	MAX.	MIN.	MAX.	MIN.	MAX.	MIN.	MAX.
1/4	6.35	5	6	6.8	8.13	9	11.0	12.2	14.9	12	15	16.3	30.3
5/16	7.94	10	12	13.6	16.3	17	20.5	23.1	27.8	24	29	32.5	39.3
3/8	9.53	20	23	27.1	31.2	35	42.0	47.5	57.0	45	54	61.0	73.2
7/16	11.11	25	30	40.7	47.4	54	64.0	73.2	86.8	70	84	94.9	113.9
1/2	12.70	45	52	61.0	70.5	80	96.0	108.5	130.2	110	132	149.2	179.0
9/16	14.29	65	75	88.1	101.6	110	132.0	149.2	179.0	160	192	217.0	260.4
5/8	15.88	95	105	128.7	142.3	150	180	203.4	244.1	220	264	298.3	358.0
3/4	19.05	150	185	203.3	250.7	270	324	366.1	439.3	380	456	515.3	618.3
7/8	22.23	160	200	216.8	271.0	400	480	542.4	650.9	600	720	813.6	976.3
1	25.40	250	300	338.8	406.5	580	696	786.5	943.8	900	1080	1220.4	1464.5
1 1/8	25.58	-	-	-	-	800	880	1084.8	1193.3	1280	1440	1735.7	1952.6
1 1/4	31.75	-	-	-	-	1120	1240	1518.7	1681.4	1820	2000	2467.9	2712.0
1 3/8	34.93	-	-	-	-	1460	1680	1979.8	2278.1	2380	2720	3227.3	3688.3
1 1/2	38.10	-	-	-	-	1940	2200	2630.6	2983.2	3160	3560	4285.0	4827.4

METRIC BOLT TORQUE SPECIFICATIONS

Size of screw	Grade No.	Pitch (mm)	Coarse thread				Fine Thread				
			Pounds Feet		Newton-Meters		Pitch (mm)	Pounds Feet		Newton-Meters	
			MIN.	MAX.	MIN.	MAX.		MIN.	MAX.	MIN.	MAX.
M6	4T 	1.0	3.6	5.8	4.9	7.9	-	-	-	-	-
	7T 		5.8	9.4	7.9	12.7		-	-	-	-
	8T 		7.2	10	9.8	13.6		-	-	-	-
M8	4T	1.25	7.2	14	9.8	19.0	1.0	12	17	16.3	23.0
	7T		17	22	23	29.8		19	27	25.7	36.6
	8T		20	26	27.1	35.2		22	31	29.8	42
M10	4T	1.5	20	25	27.1	33.9	1.25	20	29	27.1	39.3
	7T		34	40	46.1	54.2		35	47	47.4	63.7
	8T		38	46	51.5	62.3		40	52	54.2	70.5
M12	4T	1.75	28	34	37.9	46.1	1.25	31	41	42	55.6
	7T		51	59	69.1	79.9		56	68	75.9	92.1
	8T		57	66	77.2	89.4		62	75	84	101.6
M14	4T	2.0	49	56	66.4	75.9	1.5	52	64	70.5	86.7
	7T		81	93	109.8	126		90	106	122	143.6
	8T		96	109	130.1	147.7		107	124	145	168
M16	4T	2.0	67	77	90.8	104.3	1.5	69	83	93.5	112.5
	7T		116	130	157.2	176.2		120	138	162.6	187
	8T		129	145	174.8	196.5		140	158	189.7	214.1
M18	4T	2.0	88	100	119.2	136	1.5	100	117	136	158.5
	7T		150	168	203.3	227.6		177	199	239.8	269.6
	8T		175	194	237.1	262.9		202	231	273.7	313
M20	4T	2.5	108	130	146.3	176.2	1.5	132	150	178.9	203.3
	7T		186	205	252	277.8		206	242	279.1	327.9
	8T		213	249	288.6	337.4		246	289	333.3	391.6

Manufactured by:



RAD Technologies Inc.

2835, Chemin de l'Aéroport
Thetford Mines, Québec, Canada, G6G 5R7
Tel.: (418) 338-4499 - Fax.: (418) 338-6090

E-mail : radtech@minfo.net

Internet : www.radinter.com

Printed in Canada