

cc gear

Parts Manual

S85 I

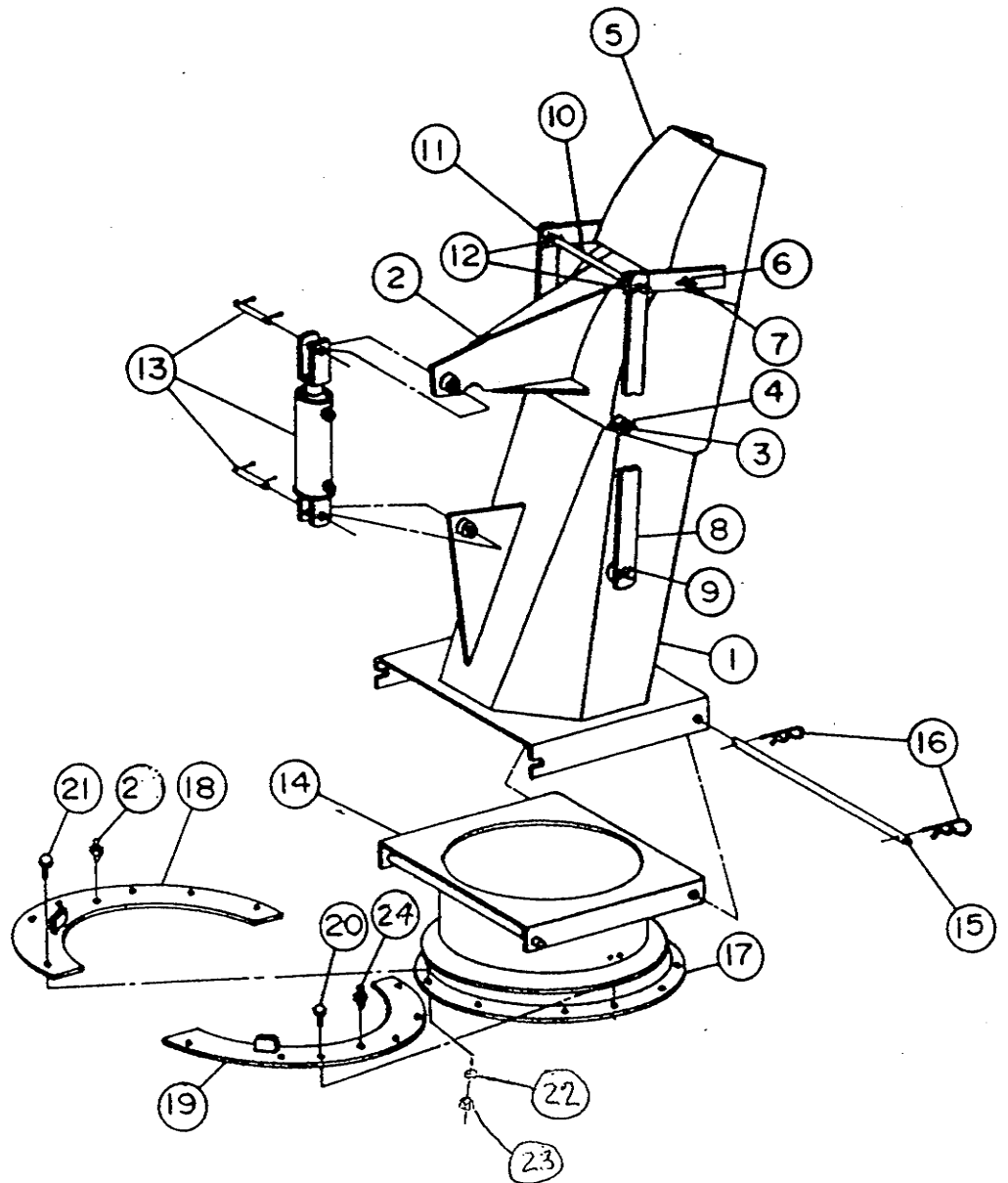
THREE POINT HITCH TWO STAGE

SNOW BLOWER



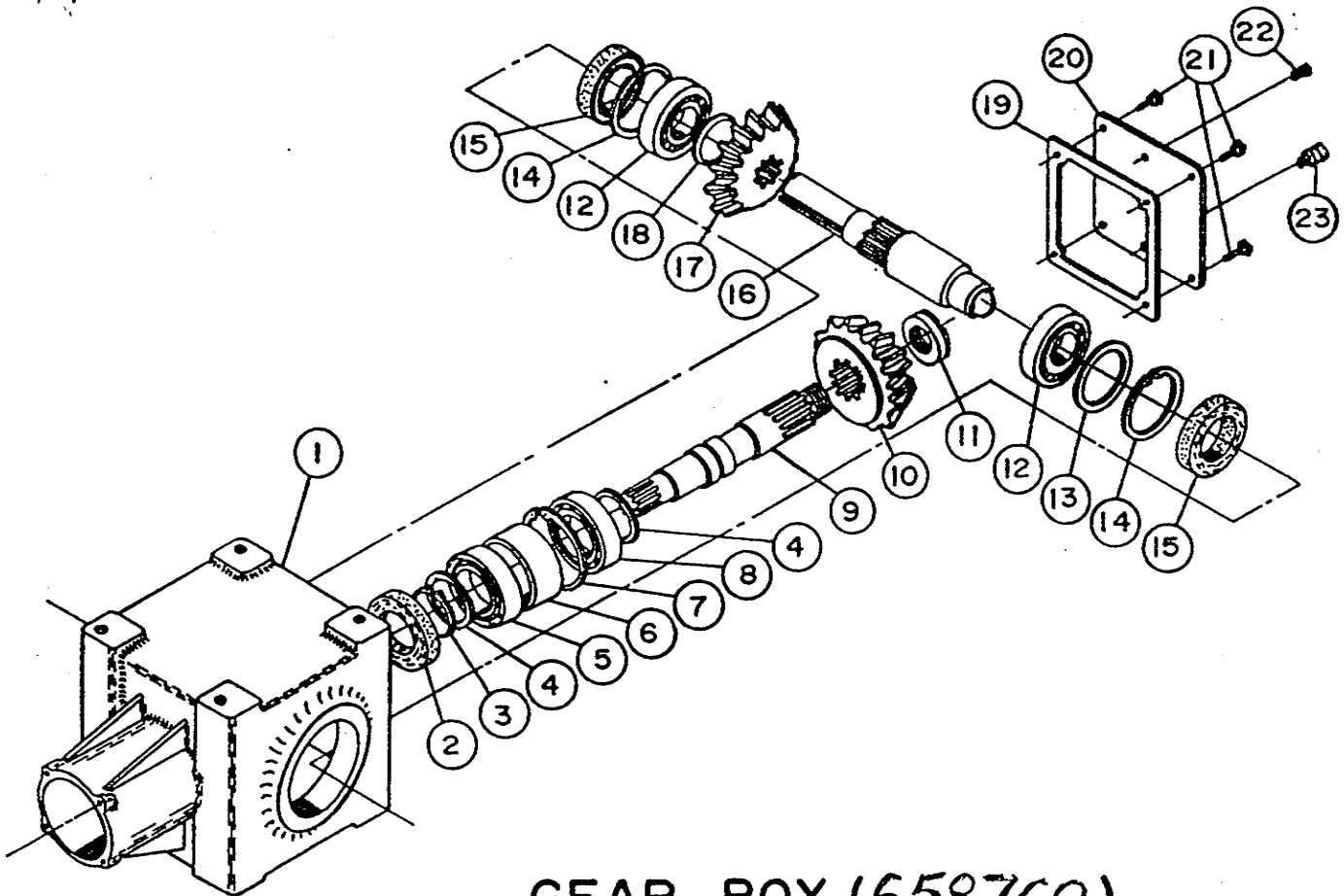
MODELS STARTING AT SERIAL NO. 00016 AND UP

CHUTE AND CHUTE BASE



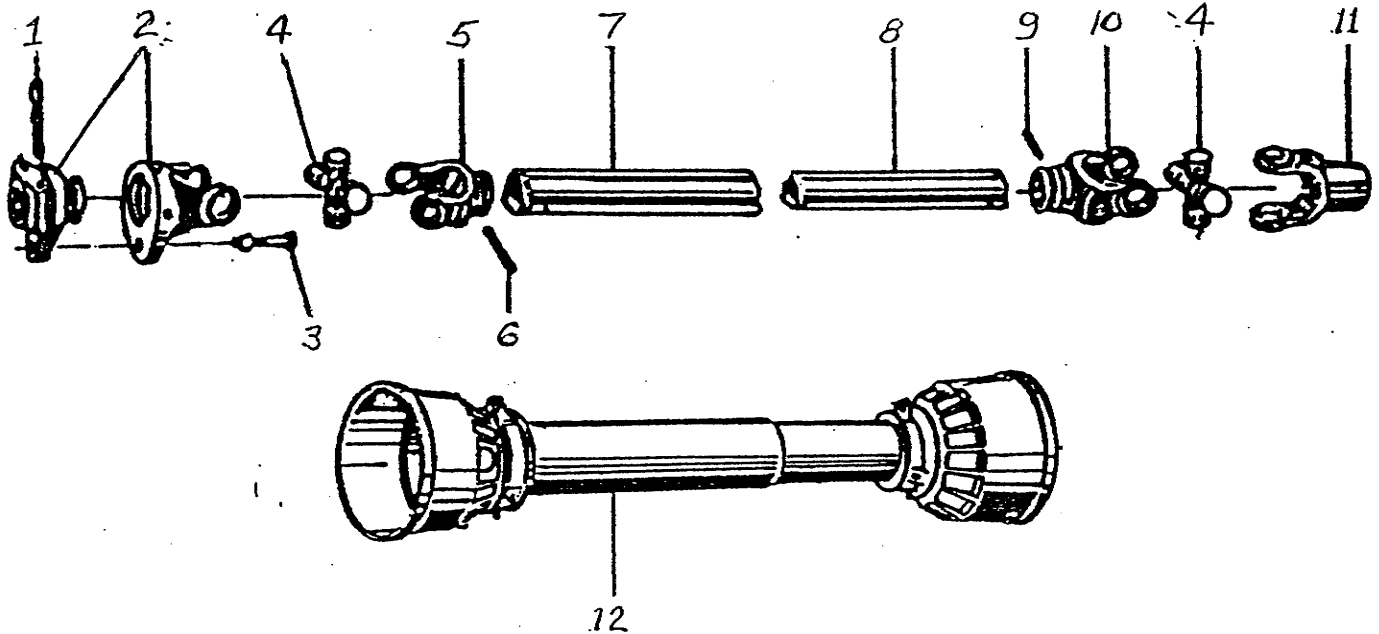
CHUTE AND CHUTE BASE

| ITEM | PART NUMBER | DESCRIPTION | QTY |
|------|-------------|-------------------------------------|-----|
| | 657092 | CHUTE ASSEMBLY | |
| 1 | 657085 | BASE CHUTE | 1 |
| 2 | 657090 | CENTER CHUTE | 1 |
| 3 | 657088 | LOWER HINGE ROD | 1 |
| 4 | O/L | PIN (1/8" ϕ x 1", COTTER) | 1 |
| 5 | 657091 | DEFLECTOR | 1 |
| 6 | O/L | PIN (1/8" ϕ x 1", COTTER) | 2 |
| 7 | 657087 | UPPER HINGE ROD | 1 |
| 8 | 657089 | DEFLECTOR ADJUSTMENT STRAP | 2 |
| 9 | O/L | PIN (3/16" ϕ x 1 1/4", COTTER) | 2 |
| 10 | 657086 | CHUTE ROD | 1 |
| 11 | 654987 | SPACER | 2 |
| 12 | O/L | PIN (1/8" ϕ x 1", COTTER) | 4 |
| 13 | 656557 | CYLINDER AND PINS | 1 |
| 14 | 657082 | BASE SUPPORT | 1 |
| 15 | 657078 | FIXATION ROD | 1 |
| 16 | O/L | PIN (5MM. ϕ x 100MM., HAIR) | 2 |
| 17 | 656979 | SPACER | 1 |
| 18 | 658350 | RETAINING PLATE | 1 |
| 19 | 656978 | RETAINING PLATE | 1 |
| 20 | O/L | BOLT (3/8" NC x 1 1/2", HEX.) | 10 |
| 21 | O/L | BOLT (3/8" NC x 2", HEX.) | 2 |
| 22 | O/L | WASHER (3/8", LOCK) | 12 |
| 23 | O/L | NUT (3/8" NC, HEX.) | 12 |
| 24 | 654106 | GREASE FITTING (1/4" N.F.) | 1 |



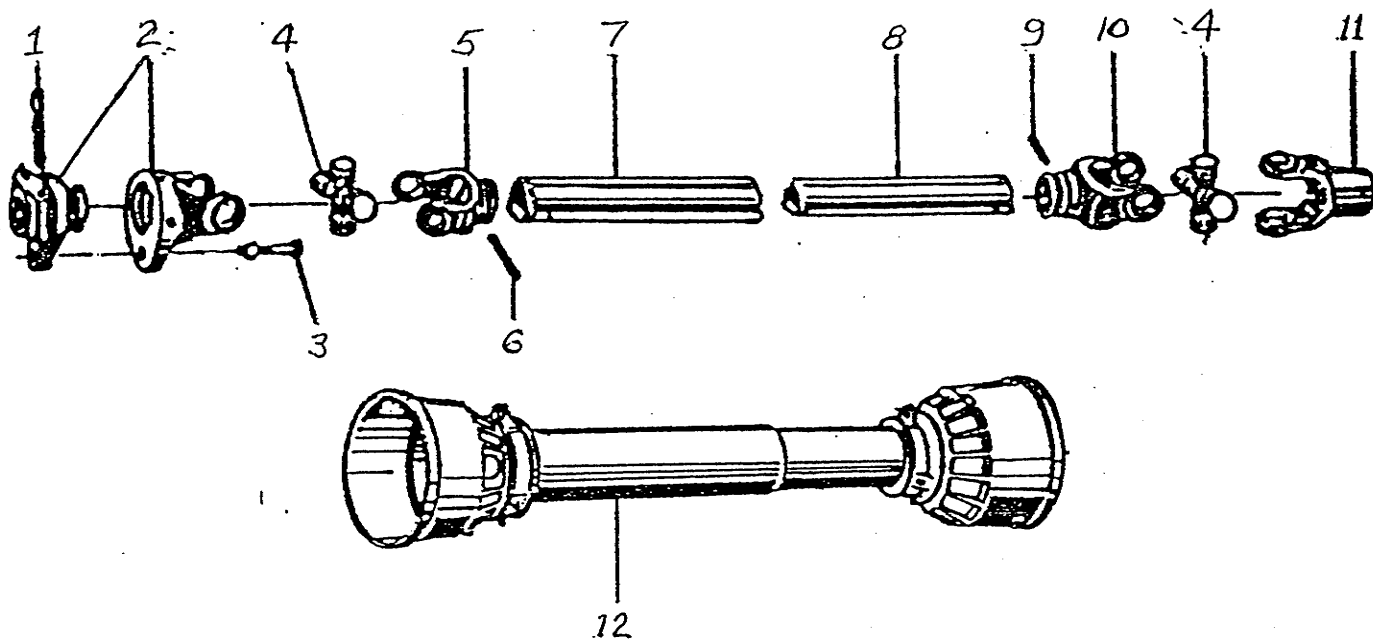
GEAR BOX (658769)

| ITEM | PART NUMBER | DESCRIPTION | QTY |
|------|-------------|-----------------------------|-----|
| 1 | 656640 | Casing | 1 |
| 2 | 656650 | Dust excluder 35 x 72 x 12 | 1 |
| 3 | 656652 | External circlip 35 UNI7435 | 1 |
| 4 | 656649 | Shim 35,3 x 43 | 2 |
| 5 | 656653 | Bearing 6207 | 1 |
| 6 | 656648 | Spacer | 1 |
| 7 | 656654 | Internal circlip 72 UNI7437 | 1 |
| 8 | 656647 | Bearing 30207 | 1 |
| 9 | 656651 | Shaft | 1 |
| 10 | 656645 | Gear Z 18 | 1 |
| 11 | 656646 | External circlip 40 UNI7435 | 1 |
| 12 | 656641 | Bearing 30208 | 2 |
| 13 | 656644 | Shim 65,3 x 79,7 | 1 |
| 14 | 656642 | Internal circlip 80 UNI7437 | 2 |
| 15 | 656643 | Dust excluder 40 x 80 x 12 | 2 |
| 16 | 659389 | Shaft | 1 |
| 17 | 656657 | Gear Z 18 | 1 |
| 18 | 656655 | Shim 40,3 x 51,5 | 1 |
| 19 | 656658 | Gasket | 1 |
| 20 | 656660 | Cover | 1 |
| 21 | 656659 | Hex bolt M 10 x 14 | 4 |
| 22 | 655259 | Oil plug 3/8" NPT | 2 |
| 23 | 656662 | Oil filter plug | 1 |



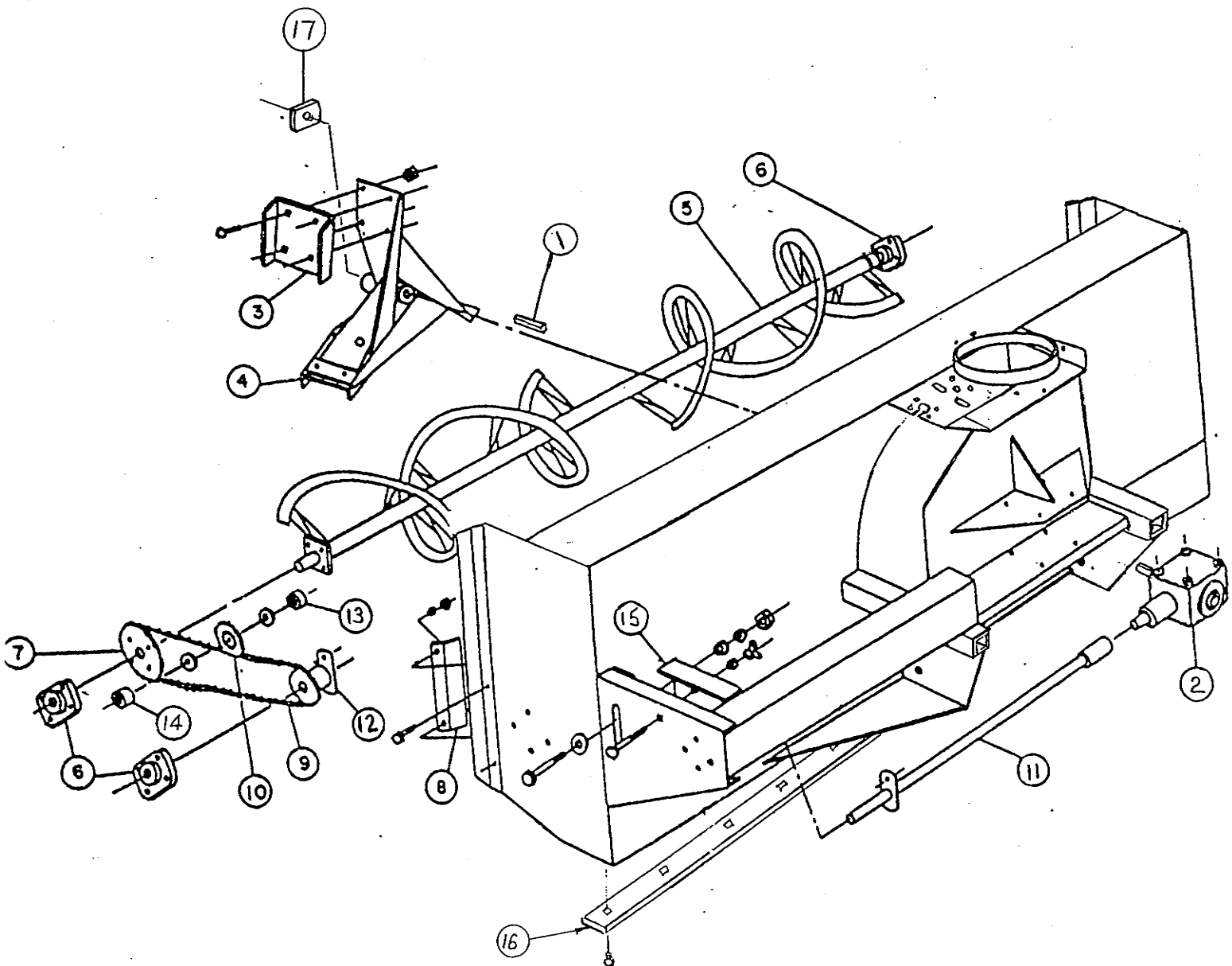
DRIVE LINE (657404)

| ITEM | PART NUMBER | DESCRIPTION | QTY |
|------|-------------|-----------------------|-----|
| 1 | 657205 | SAFETY PIN | 1 |
| 2 | 657206 | QUICK DISCONNECT YOKE | 1 |
| 3 | 657201 | SHEAR BOLT | 1 |
| 4 | 657202 | UNIVERSAL JOINT KIT | 1 |
| 5 | 657203 | YOKE FOR FEMALE TUBE | 1 |
| 6 | 657204 | PIN | 1 |
| 7 | 659111 | FEMALE TUBE | 1 |
| 8 | 659112 | MALE TUBE | 1 |
| 9 | 657207 | PIN | 1 |
| 10 | 657208 | YOKE FOR MALE TUBE | 1 |
| 11 | 659113 | YOKE OF SNOW BLOWER | 1 |
| 12 | 659116 | SHIELD | 1 |

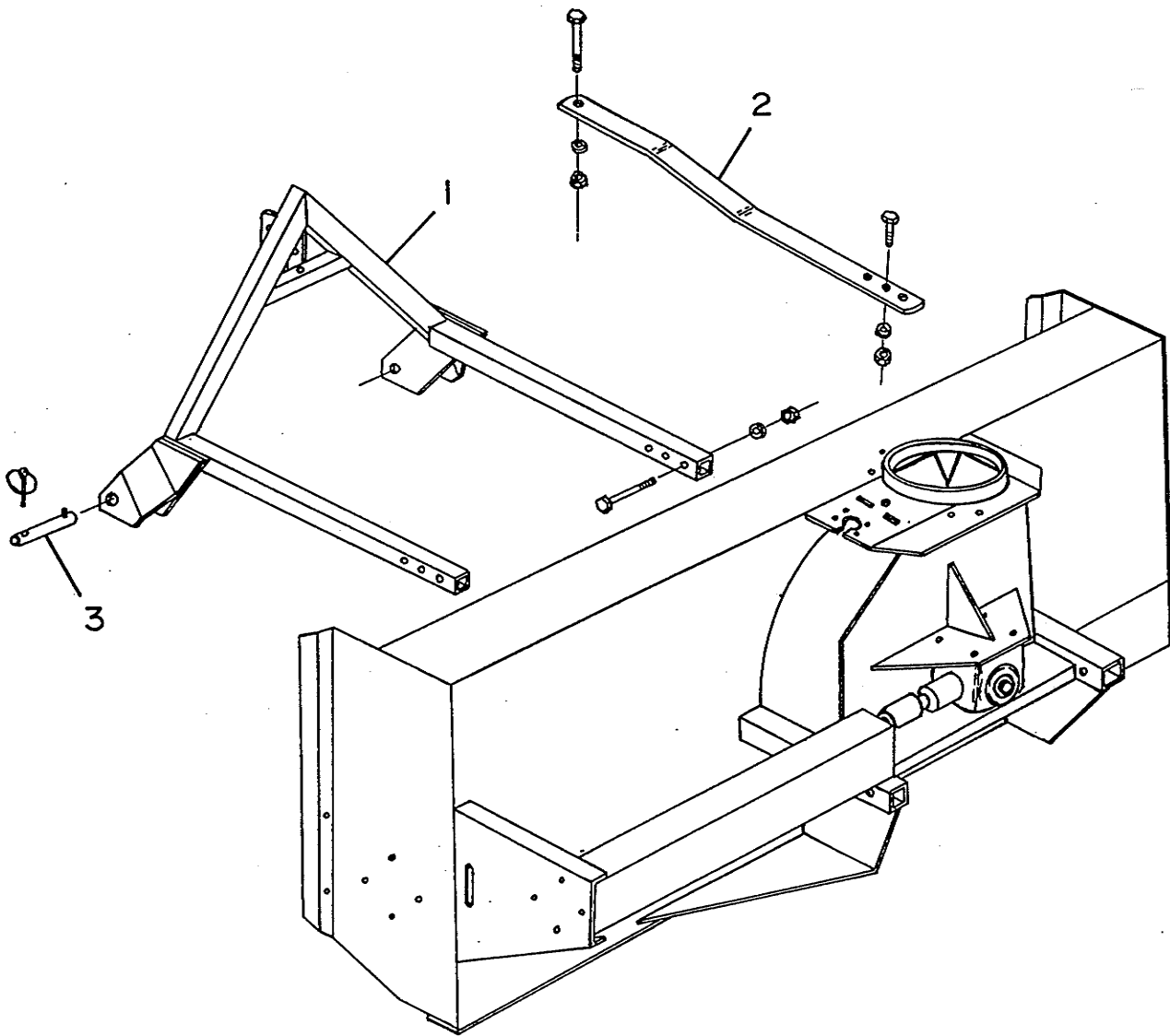


DRIVE LINE (657404)

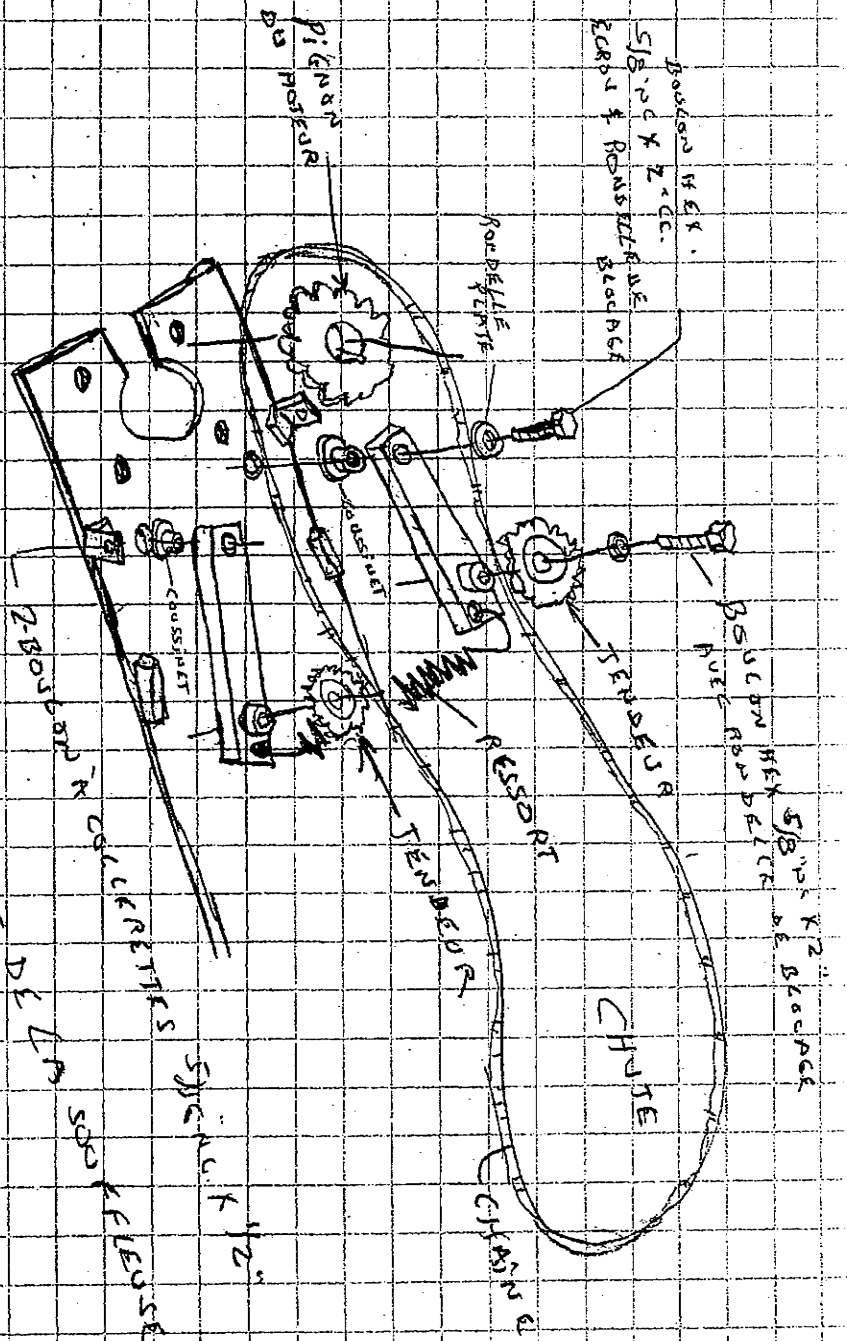
| ITEM | PART NUMBER | DESCRIPTION | QTY |
|------|-------------|-----------------------|-----|
| 1 | 657195 | SAFETY PIN | 1 |
| 2 | 657193 | QUICK DISCONNECT YOKE | 1 |
| 3 | 657199 | SHEAR BOLT | 1 |
| 4 | 657200 | UNIVERSAL JOINT KIT | 1 |
| 5 | 657203 | YOKE FOR FEMALE TUBE | 1 |
| 6 | 657204 | PIN | 1 |
| 7 | 659111 | FEMALE TUBE | 1 |
| 8 | 659112 | MALE TUBE | 1 |
| 9 | 657207 | PIN | 1 |
| 10 | 657208 | YOKE FOR MALE TUBE | 1 |
| 11 | 659113 | YOKE OF SNOW BLOWER | 1 |
| 12 | 659116 | SHIELD | 1 |



| ITEM | PART NUMBER | DESCRIPTION | QUANTITY |
|------|-------------|--|----------|
| 1 | 658462 | KEY STEEL 3/8" x 3/8" x 5 3/4" LG. | 1 |
| 2 | 658769 | GEAR BOX ASSEMBLY | 1 |
| | O/L | HEX. BOLT 1/2" NC x 1" LG. W/LOCK | 8 |
| 3 | 658460 | FAN BLADE | 3 |
| | O/L | CARRIAGE BOLT 7/16" NC x 1" LG., GR. 5 W/ST. NUT | 12 |
| 4 | 658308 | FAN | 1 |
| | O/L | HEX. BOLT 5/8" NC x 1 1/2" LG. W/FLAT & LOCK | 1 |
| 5 | 658306 | AUGER | 1 |
| 6 | 654170 | BEARING | 3 |
| | 654171 | BEARING FLANGE | 3 |
| | 654169 | CAP FLANGE | 3 |
| | O/L | HEX. BOLT 3/8" NC x 1" LG. W/LOCK & NUT | 9 |
| 7 | 654167 | SPROCKET 60A32 | 1 |
| | O/L | HEX. BOLT 3/8" NC x 1 1/4" LG. W/LOCK & NUT | 4 |
| 8 | 654650 | CHAIN GUARD | 1 |
| | O/L | HEX. BOLT 3/8" NC x 1" LG. W/LOCK & NUT | 2 |
| 9 | 654168 | CHAIN #60 X 79 LINKS | 1 |
| | 654839 | CONNECTING LINK #60 | 1 |
| | 65425 | HALF LINK #60 | 1 |
| 10 | 65410 | IDLER SPROCKET | 1 |
| | O/L | HEX. BOLT 5/8" NC x 2 3/4" LG. W/LOCK & NUT | 1 |
| | O/L | FLATWASHER 11/16" Ø HOLE | 2 |
| 11 | 654176 | DRIVE SHAFT | 1 |
| 12 | 654173 | SPROCKET WITH SHEAR PLATE | 1 |
| | O/L | HEX. BOLT 1/4" NC x 1 1/4" LG., GR. 5 W/LOCK & NUT | 1 |
| 13 | 656910 | WASHER "SPACER" | 1 |
| 14 | 654649 | WASHER | 1 |
| 15 | 658346 | CHAIN COVER | 1 |
| | O/L | CARRIAGE BOLT 3/8" NC x 5" LG. W/LOCK & WING NUT | 1 |
| 16 | 658309 | CUTTING EDGE | 1 |
| | O/L | PLOW BOLT 7/16" NC x 1 1/2" LG. W/LOCK & NUT | 12 |
| 17 | 658461 | YOKE FIXATION PLATE | 1 |



| ITEM | PART NUMBER | DESCRIPTION | QUANTITY |
|------|-------------|---|----------|
| 1 | 658823 | 3 POINTS HITCH | 1 |
| | O/L | HEX. BOLT 3/4" NC x 4" LG. W/LOCK & NUT | 2 |
| 2 | 658824 | UPPER HITCH | 1 |
| | O/L | HEX. BOLT 5/8" NC x 4" LG. W/LOCK & NUT | 1 |
| | O/L | HEX. BOLT 5/8" NC x 1 1/2" LG. W/LOCK & NUT | 1 |
| 3 | 655813 | PIN CAT. #2 | 2 |
| | 658755 | LINCH PIN 7/16" Ø PQE | 2 |

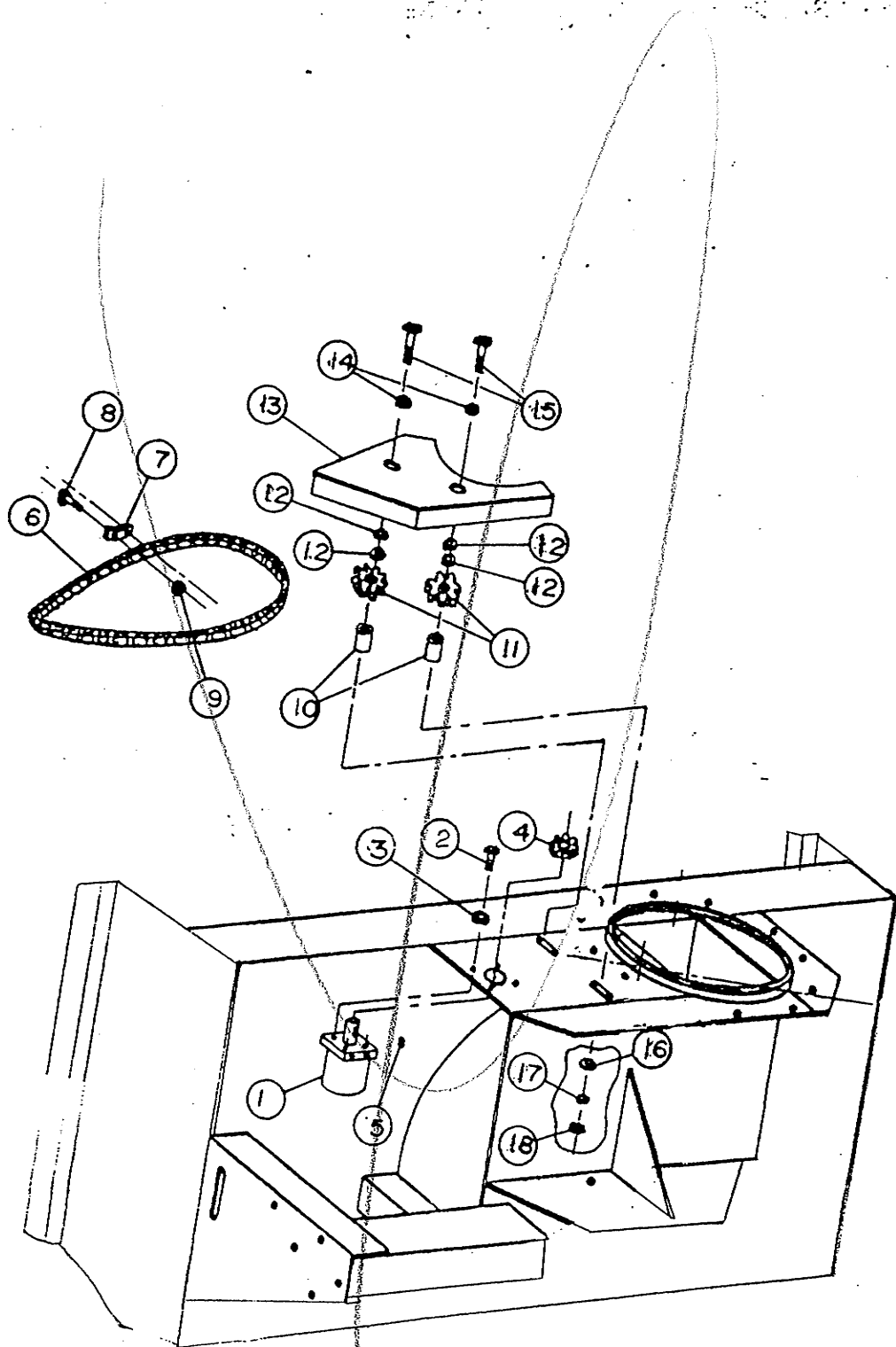


QUINCAILLERIE

- 1 RESSORT
- 4 BOULON HEX 5/8" X 2 1/2"
- 2 ÉCROU HEX. 5/8" X 1"
- 4 RONDELLE DE BLOCSAGES 5/8"
- 2 RONDELLE PLATE 1 1/2" Ø DE TROU
- 2 BOULON À COLLETTES 5/8" X 1 1/2"

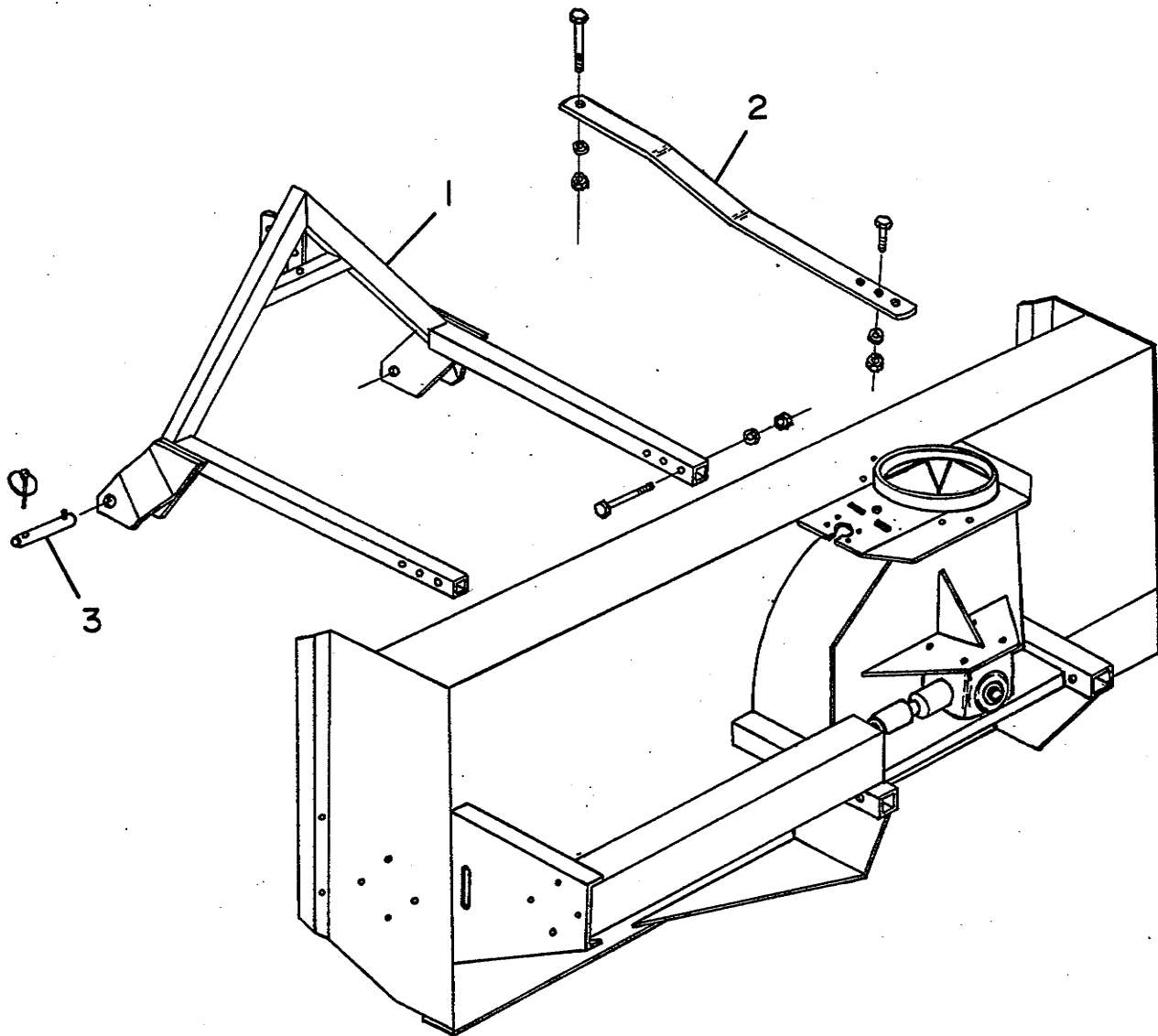
DEVANT

2 BOULON À COLLETTES
5/8" X 1 1/2"
2 BOULON À COLLETTES

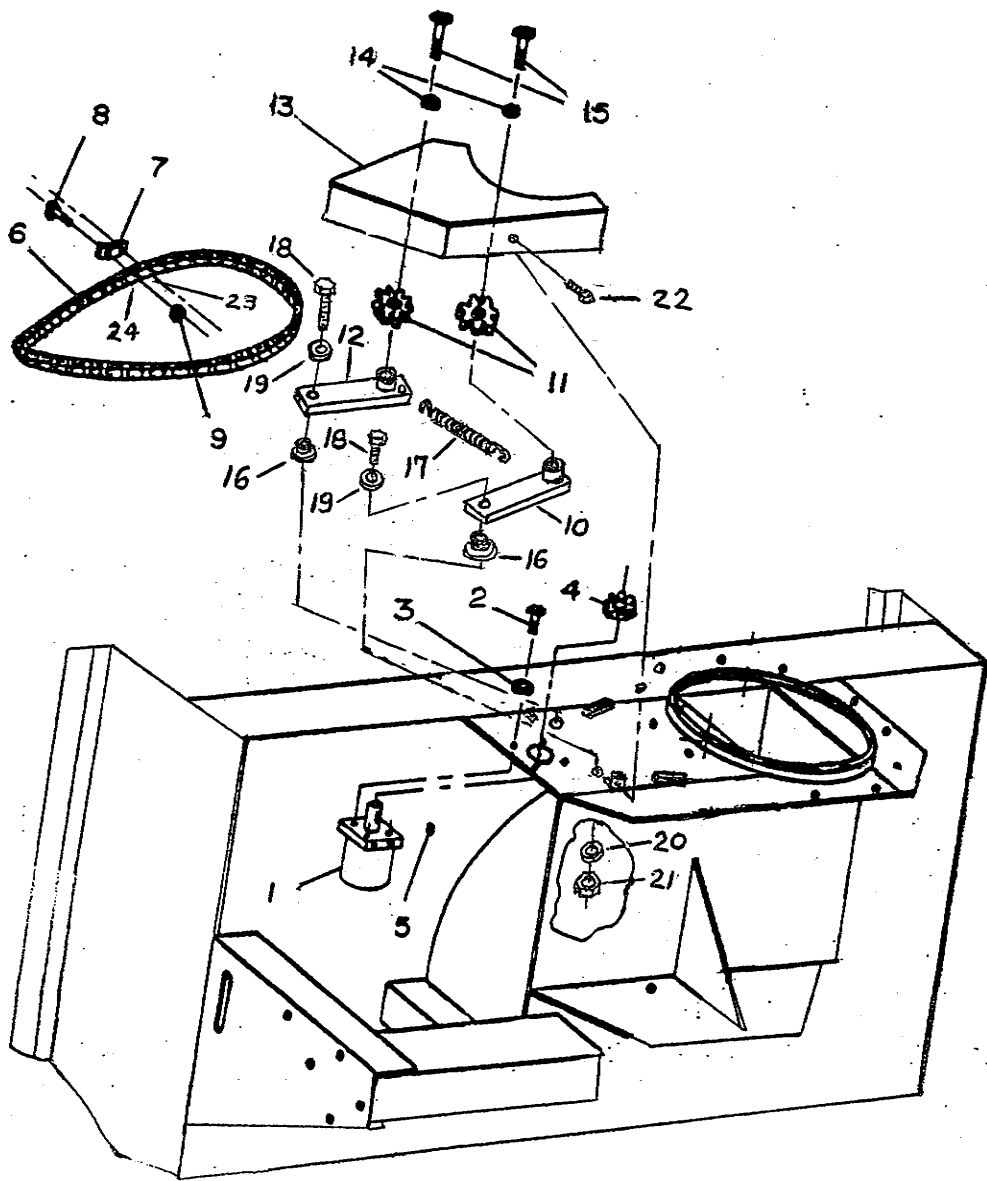


663709
 26-03

| ITEM | PART NUMBER | DESCRIPTION | QUANTITY |
|------|-------------|--|----------|
| 1 | 658404 | MOTOR | 1 |
| 2 | O/L | BOLT (3/8" NC x 1", HEX.) | 4 |
| 3 | O/L | WASHER (3/8", LOCK) | 4 |
| 4 | 654706 | SPROCKET (MOTOR) | 1 |
| 5 | 659191 | KEY (WOODRUFF) | 1 |
| 6 | 657647 | CHAIN WITH DOUBLE PITCH CONNECTING LINK AND OFF LINK | 1 |
| 7 | 657225 | CHAIN STOPPER | 1 |
| 8 | O/L | BOLT (3/8" NC x 2", HEX.) | 2 |
| 9 | O/L | NUT (3/8" NC, NYLON) | 2 |
| 10 | 657169 | IDLER SPACER | 2 |
| 11 | 65410 | SPROCKET (IDLER) | 2 |
| 12 | O/L | WASHER (11/16" DIA., FLAT) | 4 |
| 13 | 658301 | CHAIN COVER | 1 |
| 14 | O/L | WASHER (11/16" DIA., FLAT) | 2 |
| 15 | O/L | BOLT (5/8" NC x 3 1/2", HEX.) | 2 |
| 16 | O/L | WASHER (11/16" DIA., FLAT) | 2 |
| 17 | O/L | WASHER (5/8", LOCK) | 2 |
| 18 | O/L | NUT (5/8" NC, HEX.) | 2 |



| ITEM | PART NUMBER | DESCRIPTION | QUANTITY |
|------|-------------|---|----------|
| 1 | 664652 | 3-POINTS HITCH | 1 |
| | O/L | HEX. BOLT 3/4" NC x 4" LG. W/LOCK & NUT | 2 |
| 2 | 664653 | UPPER HITCH | 1 |
| | O/L | HEX. BOLT 5/8" NC x 4" LG. W/LOCK & NUT | 1 |
| | O/L | HEX. BOLT 5/8" NC x 1 1/2" LG. W/LOCK & NUT | 1 |
| 3 | 655813 | PIN CAT. #2 | 2 |
| | 658755 | LINCH PIN 7/16" Ø PQE | 2 |



| ITEM | PART NUMBER | DESCRIPTION | QUANTITY |
|------|-------------|----------------------------------|----------|
| 1 | 658404 | MOTOR | 1 |
| 2 | O/L | BOLT (3/8" NC x 1", HEX.) | 4 |
| 3 | O/L | WASHER (3/8", LOCK) | 4 |
| 4 | 654706 | SPROCKET (MOTOR) | 1 |
| 5 | 659191 | KEY (WOODRUFF) | 1 |
| 6 | 662447 | CHAIN | 1 |
| 7 | 657225 | CHAIN STOPPER | 1 |
| 8 | O/L | BOLT (3/8" NC x 2", HEX.) | 2 |
| 9 | O/L | NUT (3/8" NC, NYLON) | 2 |
| 10 | 664602 | IDLER ARM | 1 |
| 11 | 654010 | SPROCKET (IDLER) | 2 |
| 12 | 664601 | IDLER ARM | 1 |
| 13 | 664604 | CHAIN COVER | 1 |
| 14 | O/L | WASHER (5/8", LOCK) | 2 |
| 15 | O/L | BOLT (5/8" NC x 2", HEX.) | 2 |
| 16 | 664603 | BUSHING | 2 |
| 17 | 660602 | TENSION SPRING | 1 |
| 18 | O/L | BOLT (5/8" NC x 2", HEX.) | 2 |
| 19 | O/L | WASHER (1 1/16" DIA. HOLE, FLAT) | 2 |
| 20 | O/L | WASHER (5/8", LOCK) | 2 |
| 21 | O/L | NUT (5/8" N.C., HEX.) | 2 |
| 22 | O/L | BOLT (5/16" NC x 1/2", FLANGE) | 2 |
| 23 | 658238 | DOUBLE PITCH CONNECTING LINK | 1 |
| 24 | 658239 | OFF LINK | 1 |