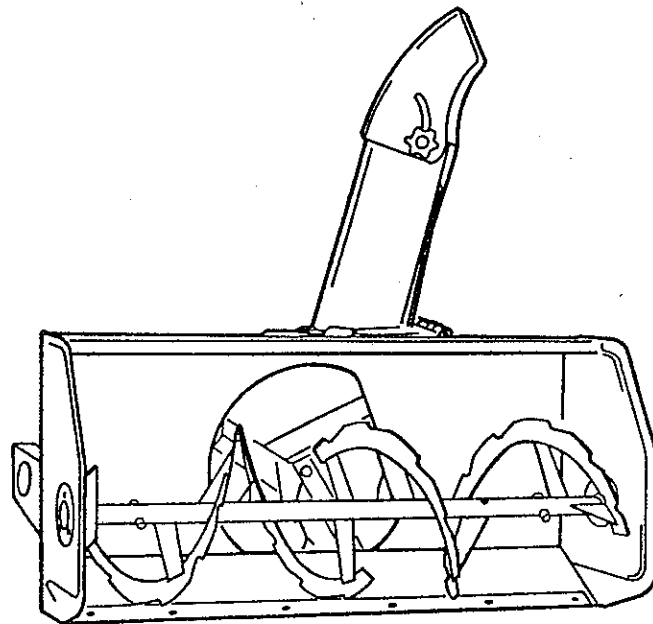


# OPERATOR'S & PARTS MANUAL



LB 1640  
40" DUAL STAGE SNOWBLOWER

BY:

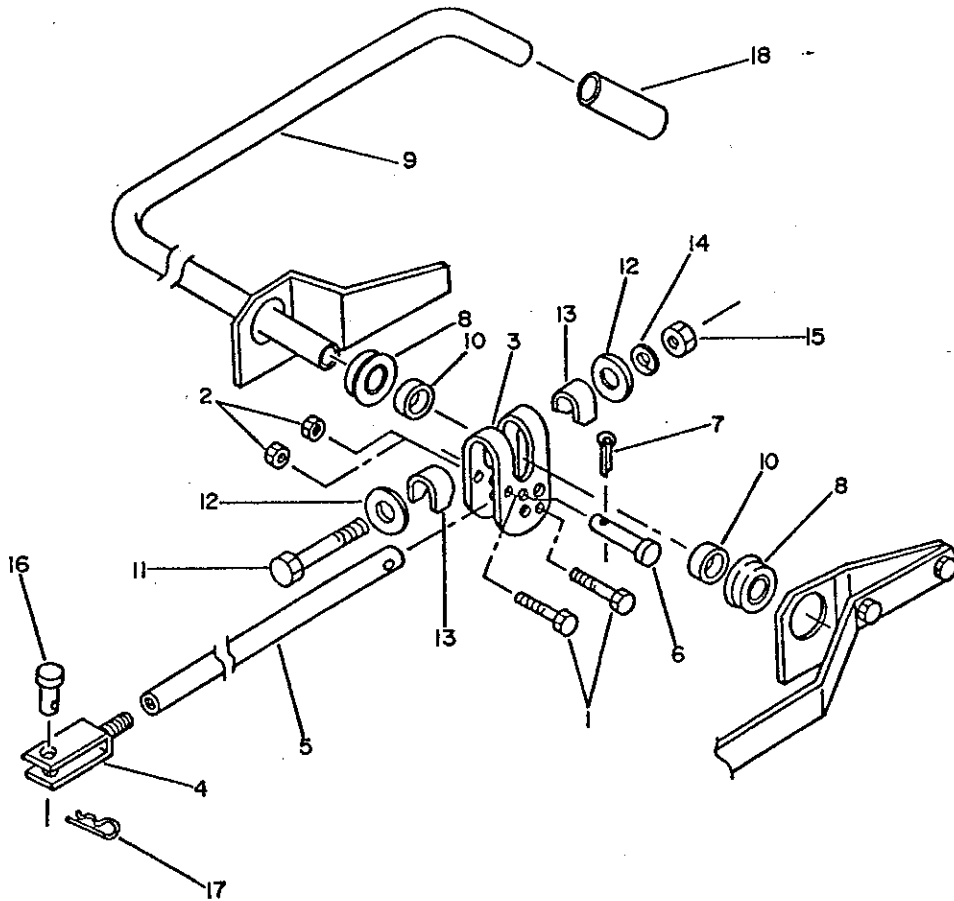
**BER-VAC**

For LAWN BOY & FORD  
YT & LT Series Tractors

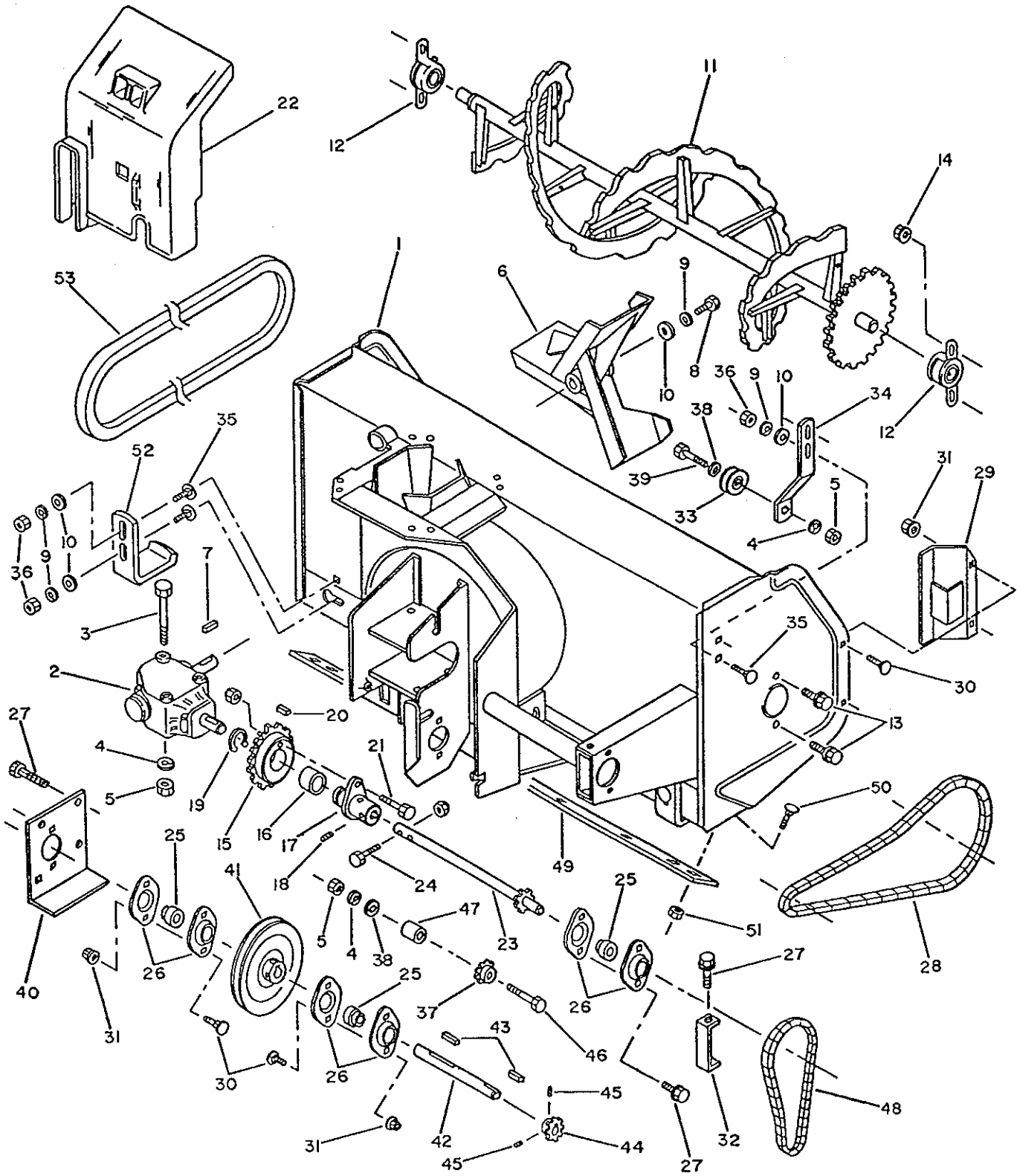
LIFT MECHANISM ASSEMBLY

REF	DESCRIPTION	QTY	PART #
1	Bolt (3/8" NC x 2 1/4", hex)	2	O/L
2	Nut (3/8" NC, stover)	2	O/L
3	Lift lever	1	659361
4	Adjustment fork	1	659444
5	Push arm	1	660685
6	Pin (17/32" dia x 2 1/4")	1	657378
7	Pin (5/32" dia x 1", cotter)	1	O/L
8	Flange bearing	2	659476
9	Lift arm	1	659451
10	Tube spacer	2	659447
11	Bolt (5/8" NC x 4", hex)	1	O/L
12	Washer (11/16" dia hole, flat)	2	O/L
13	Bent retainer plate	2	659362
14	Washer (5/8", lock)	1	O/L
15	Nut (5/8" NC, hex)	1	O/L
16	Pin (5/8" dia x 1 5/8")	1	657511
17	Pin (4mm dia x 80 mm, hair)	1	O/L
18	Rubber handle	1	657417

\* O/L=OBTAIN LOCALLY



SNOWBLOWER HEAD (40" MODEL)



SNOWBLOWER HEAD (40" MODEL)

REF	DESCRIPTION	QTY	PART #
1	Housing .....	1	659468
2	Gear box .....	1	659478
3	Bolt (3/8" NC x 4", hex) .....	3	O/L
4	Washer (3/8", lock) .....	5	O/L
5	Nut (3/8" NC, hex) .....	5	O/L
6	Fan .....	1	659571
7	Key 8mm x 7mm x 35mm .....	1	660062
8	Bolt (M8 x 1.25 x 25mm, hex) .....	1	O/L
9	Washer (5/16", lock) .....	7	O/L
10	Washer (3/8" dia hole, flat) .....	7	O/L
11	Auger .....	1	659556
12	Flange side mount-bushing .....	2	659419
13	Bolt (3/8" NC x 3/4", flange) .....	4	O/L
14	Nut (3/8" NC, flange) .....	4	O/L
15	Sprocket (40B28) .....	1	658923
16	Bushing .....	1	659490
17	Shear plate .....	1	659520
18	Set screw (5/16" NC x 5/16", allen) .....	2	O/L
19	Snapping .....	1	659489
20	Key 8mm x 8mm x 35mm .....	1	660063
21	Impeller shear bolt (5mm x 0.8 x 40mm, hex with nylon nut) .	1	660893
22	Plastic reduction cover .....	1	659221
23	Driven shaft .....	1	659628
24	Auger shear bolt (5mm x 0.8 x 45mm, hex with nylon nut) ....	1	660894
25	Bearing .....	3	659896
26	Flange bearing .....	6	659894
27	Bolt (5/16" NC x 1/2", flange) .....	6	O/L
28	Chain (#40 x 91 links) .....	1	659677
	Connecting link (#40) .....	1	659721
29	Chain guard .....	1	659633
30	Bolt (3/4" NC x 5/8", carriage) .....	6	O/L
31	Nut (5/16" NC, flange) .....	6	O/L
32	Chain guard .....	1	659632
33	Idler pulley .....	1	661175
34	Chain adjuster arm .....	1	661174
35	Bolt (5/16" NC x 1", carriage) .....	6	O/L
36	Nut (5/16" NC, hex) .....	6	O/L
37	Idler sprocket .....	1	659226
38	Washer (7/16" dia hole, flat) .....	2	O/L
39	Bolt (3/8" NC x 1 3/4", hex) .....	1	O/L

\* O/L=OBTAIN LOCALLY

SNOWBLOWER HEAD (40" MODEL)

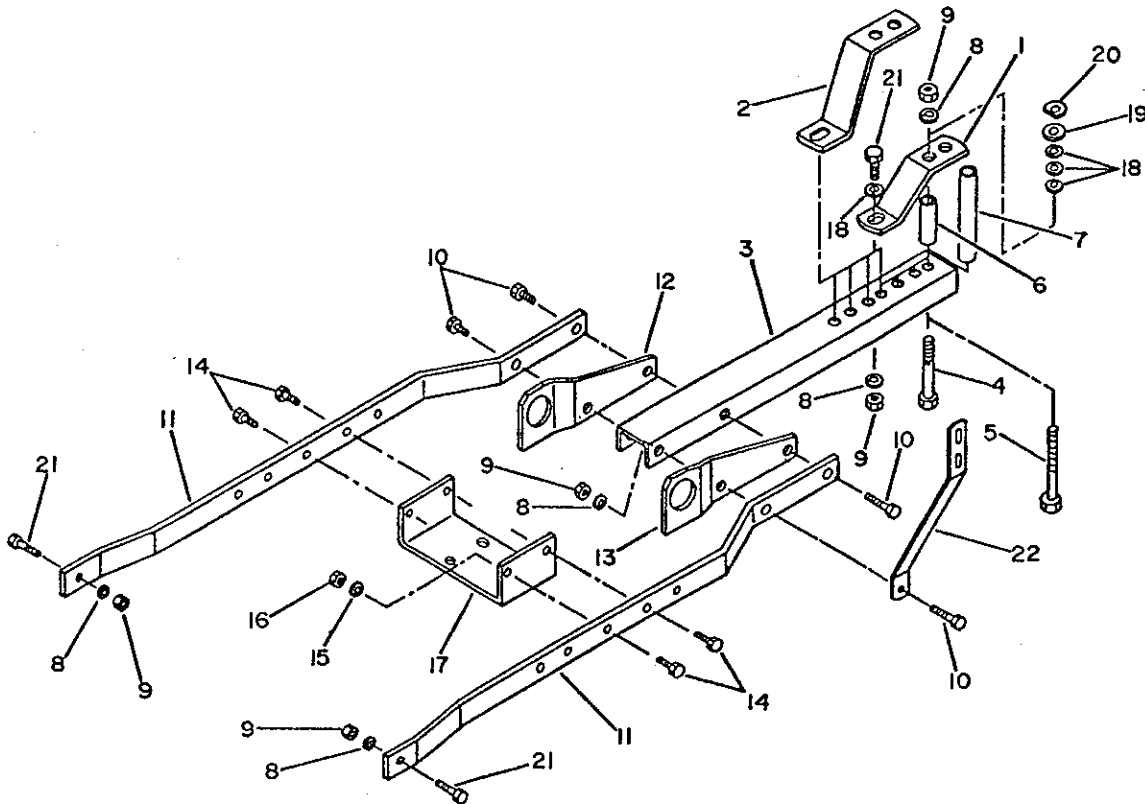
REF	DESCRIPTION	QTY	PART #
40	Bearing support plate .....	1	659574
41	Pulley .....	1	659639
42	Driving shaft .....	1	659634
43	Key 3/16" x 3/16" x 1" .....	2	659674
44	Sprocket (40B10) .....	1	655451
45	Set screw (1/4" NC x 1/4", allen) .....	2	O/L
46	Bolt (3/8" NC x 2 3/4", hex) .....	1	O/L
47	Idler spacer .....	1	659630
48	Chain (#40 x 40 links with includes connecting link) .....	1	659676
49	Cutting edge .....	1	659591
50	Bolt (5/16" NC x 3/4", carriage) .....	6	O/L
51	Nut (5/16" NC, stover) .....	6	O/L
52	Skid shoe .....	2	659717
53	Belt .....	1	659956

\* O/L=OBTAIN LOCALLY

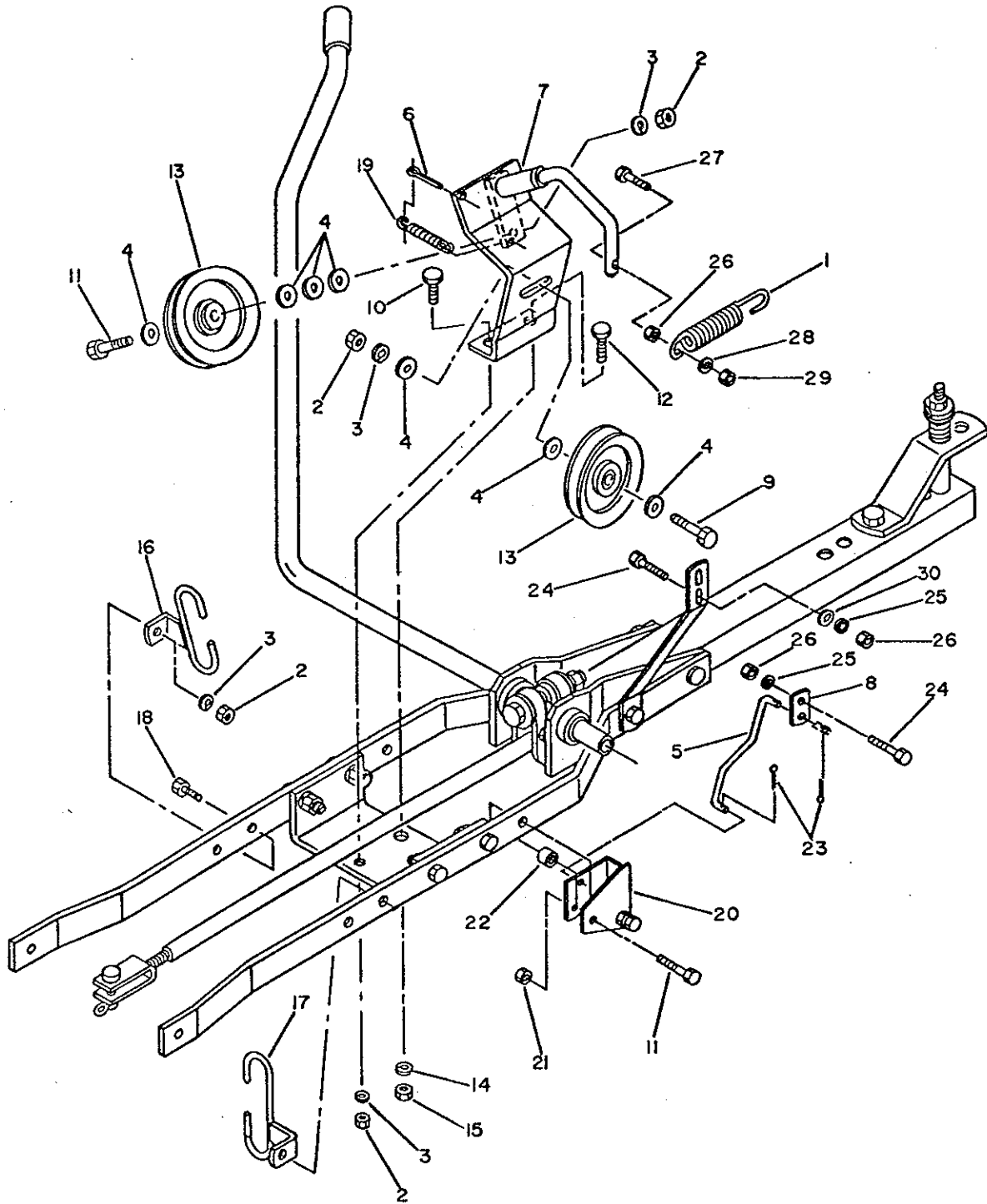
SUBFRAME

REF	DESCRIPTION	QTY	PART #
1	Hitch plate 2 5/8" high (gear drive models) .....	1	660353
2	Hitch plate 4 11/16" high (hydrostatic models) .....	1	660352
3	Channel .....	1	660684
4	Bolt (1/2" NC x 4 1/2", hex) (gear drive models) .....	1	O/L
5	Bolt (1/2" NC x 6 1/2", hex) (hydrostatic models) .....	1	O/L
6	Tube spacer 2 5/8" lg. (gear drive models) .....	1	660681
7	Tube spacer 4 11/16" lg. (hydrostatic models) .....	1	660680
8	Washer (1/2", lock) .....	8	O/L
9	Nut (1/2" NC, hex) .....	8	O/L
10	Bolt (1/2" NC x 1 1/2", hex) .....	4	O/L
11	Subframe flatbar .....	2	660679
12	Lift support bracket R.H. ....	1	660396
13	Lift support bracket L.H. ....	1	660395
14	Bolt (3/8" NC x 1", hex) .....	4	O/L
15	Washer (3/8", lock) .....	4	O/L
16	Nut (3/8" NC, hex) .....	4	O/L
17	Support plate .....	1	659670
18	Washer (9/16" dia hole, flat) .....	4	O/L
19	Washer 7/8" hole .....	1	660055
20	Notched washer 17/32" hole .....	1	660054
21	Bolt (1/2" NC x 1 1/4", hex) .....	1	O/L
22	Reinforcement bracket .....	1	660677

\* O/L=OBTAIN LOCALLY



DRIVEN MECHANISM



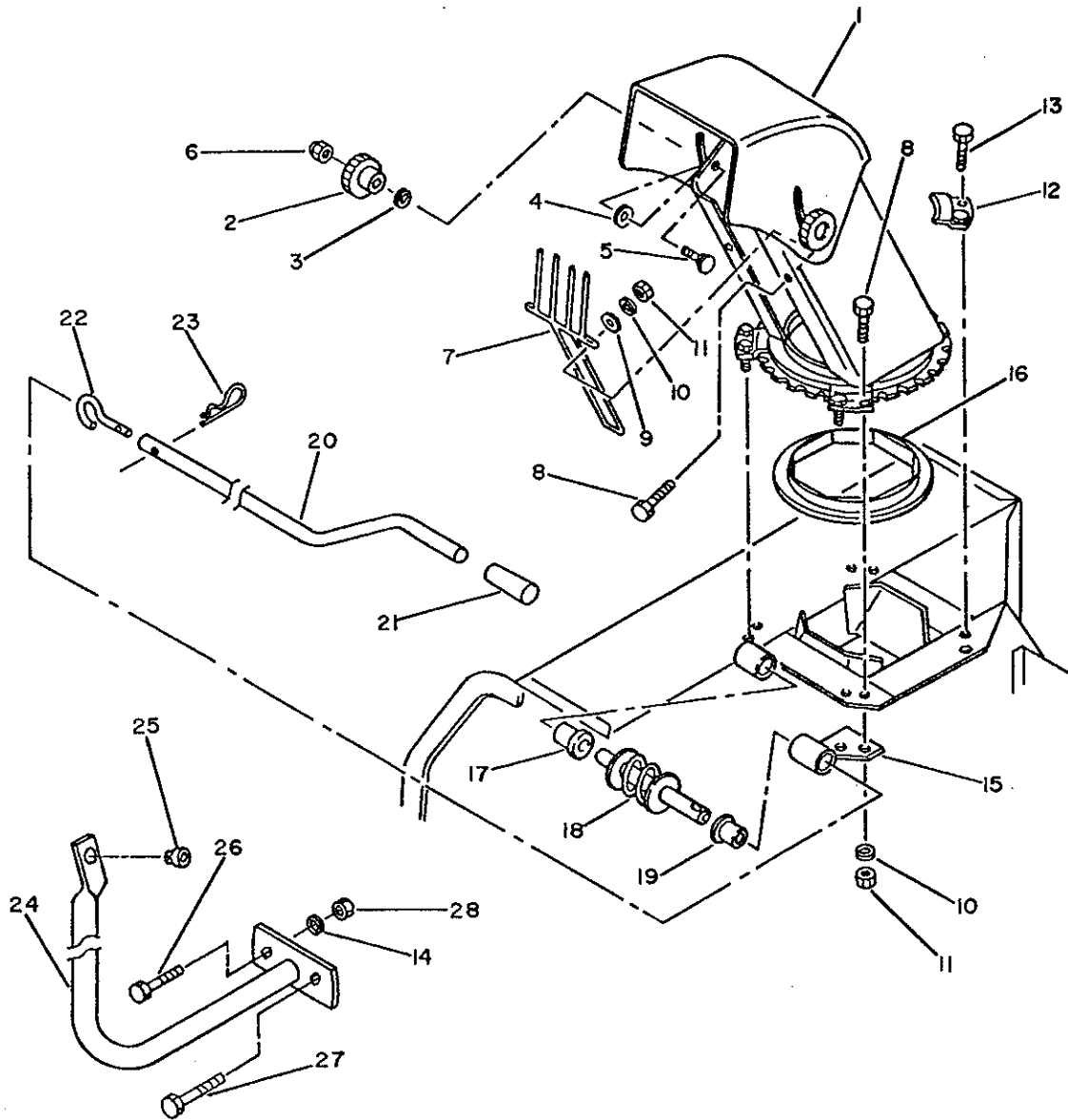
DRIVEN MECHANISM

REF	DESCRIPTION	QTY	PART #
1	Spring 1 1/8" dia .....	1	659577
2	Nut (3/8" NC, hex) .....	4	O/L
3	Washer (3/8", lock) .....	4	O/L
4	Washer (7/16" dia hole, flat) .....	7	O/L
5	Clutch rod .....	1	660678
6	Pin (5/32" dia x 3/4", cotter) .....	1	O/L
7	Pulley bracket .....	1	659973
8	Extension bracket .....	1	660674
9	Bolt (3/8" NC x 1 3/4", hex) .....	1	O/L
10	Bolt (3/8" NC x 1", hex) .....	1	O/L
11	Bolt (3/8" NC x 2", hex) .....	2	O/L
12	Bolt (7/16" NC x 1", hex) .....	1	O/L
13	Pulley .....	2	659519
14	Washer (7/16", lock) .....	1	O/L
15	Nut (7/16" NC, hex) .....	1	O/L
16	Belt guide R.H. ....	1	659770
17	Belt guide L.H. ....	1	659771
18	Bolt (3/8" NC x 1 1/4", hex) .....	1	O/L
19	Spring 1/2" dia .....	1	659578
20	Tension bracket .....	1	660676
21	Nut (3/8" NC, stover) .....	1	O/L
22	Bushing .....	1	660675
23	Pin (1/8" dia x 3/4", cotter) .....	2	O/L
24	Bolt (5/16" NC x 3/4", hex) .....	2	O/L
25	Washer (5/16", lock) .....	2	O/L
26	Nut (5/16" NC, hex) .....	3	O/L
27	Bolt (5/16" NC x 1 1/2", hex) .....	1	O/L
28	Washer (3/8" dia hole, flat) .....	1	O/L
29	Nut (5/16" NC, nylon lock) .....	1	O/L
30	Washer (3/8" dia hole, flat) .....	1	O/L

\* O/L=OBTAIN LOCALLY

ROTATION SYSTEM WITH CHUTE

---



ROTATION SYSTEM WITH CHUTE

REF	DESCRIPTION	QTY	PART #
1	Chute and deflector assembly .....	1	661251
2	Knob (5/16" NC) .....	2	657309
3	Nylon washer (11/32" dia hole, flat) .....	2	658467
4	Nylon washer (7/16" dia hole, flat) .....	2	658468
5	Bolt (5/16" NC x 1 1/2", carriage) .....	2	O/L
6	Nut (5/16" NC, nylon lock) .....	2	O/L
7	Hand guard .....	1	659678
8	Bolt (1/4" NC x 3/4", hex) .....	4	O/L
9	Washer (5/16" dia hole, flat) .....	2	O/L
10	Washer (1/4", lock) .....	10	O/L
11	Nut (1/4" NC, hex) .....	10	O/L
12	Retaining plate .....	4	657333
13	Bolt (1/4" NC x 1/2", hex) .....	6	O/L
14	Washer (3/8", lock) .....	2	O/L
15	Worm support .....	1	657329
16	Nylon ring .....	1	657338
17	Plastic bushing 1 5/16" .....	1	657335
18	Rotation worm (cw) .....	1	659772
19	Plastic bushing 1 11/16" .....	1	657336
20	Handle .....	1	659624
21	Handle grip .....	1	656797
22	Handle hook .....	1	659625
23	Pin (2.5mm dia x 40mm, hair) .....	1	O/L
24	Handle support bracket .....	1	659667
25	Plastic grommet .....	1	657390
26	Bolt (3/8" NC x 1 1/4", hex) .....	1	O/L
27	Bolt (3/8" NC x 1 1/2", hex) .....	1	O/L
28	Nut (3/8" NC, hex) .....	2	O/L

\* O/L=OBTAIN LOCALLY

PUSH FRAME

REF	DESCRIPTION	QTY	PART #
1	Pivot bracket .....	1	659664
2	Attaching flatbar .....	2	659665
3	Bolt (7/16" NC x 1 1/4", hex) .....	8	O/L
4	Washer (7/16", lock) .....	8	O/L
5	Nut (7/16" NC, hex) .....	8	O/L
6	Washer (1/2" dia hole, flat) .....	2	O/L
7	Front support bracket R.H. ....	1	660682
8	Front support bracket L.H. ....	1	660683
9	Pivot pin .....	1	656737
10	Pin (5/32" dia x 1", cotter) .....	1	O/L
11	Pin (4mm dia x 80mm, hair) .....	1	O/L
12	Idler support .....	1	659662
13	Belt guide .....	1	659656
14	Idler pulley .....	1	657876
15	Bolt (3/8" NC x 1 3/4", hex) .....	1	O/L
16	Washer (3/8", lock) .....	3	O/L
17	Nut (3/8" NC, hex) .....	3	O/L
18	Bolt (5/16" NC x 1", hex) .....	6	O/L
19	Washer (5/16", lock) .....	6	O/L
20	Nut (5/16" NC, hex) .....	6	O/L
21	Bolt (3/8" NC x 1", hex) .....	2	O/L

\* O/L=OBTAIN LOCALLY

