

Parts Manual



- **9284 TRC**
84" TWO STAGE SNOWBLOWER
WITH ROTARY DRUM
- **9296 TRC**
96" TWO STAGE SNOWBLOWER
WITH ROTARY DRUM

MODELS STARTING AT SERIAL NO. 000101 AND UP

03/89 PM0043

=====

PARTS LIST INDEX

=====

- ILLUSTRATIONS: All parts are shown in their normal relationship to each other.
- O/L: "Obtain locally" applies to fasteners shown without part numbers. Always use GRADE 5 (or equivalent) fasteners.
- PART CHANGES: Change in the product will make it necessary to revise or add pages to this Parts Lists. Each revised page will have an issue date. All revised or new pages must be added to the Parts as soon as they are received.

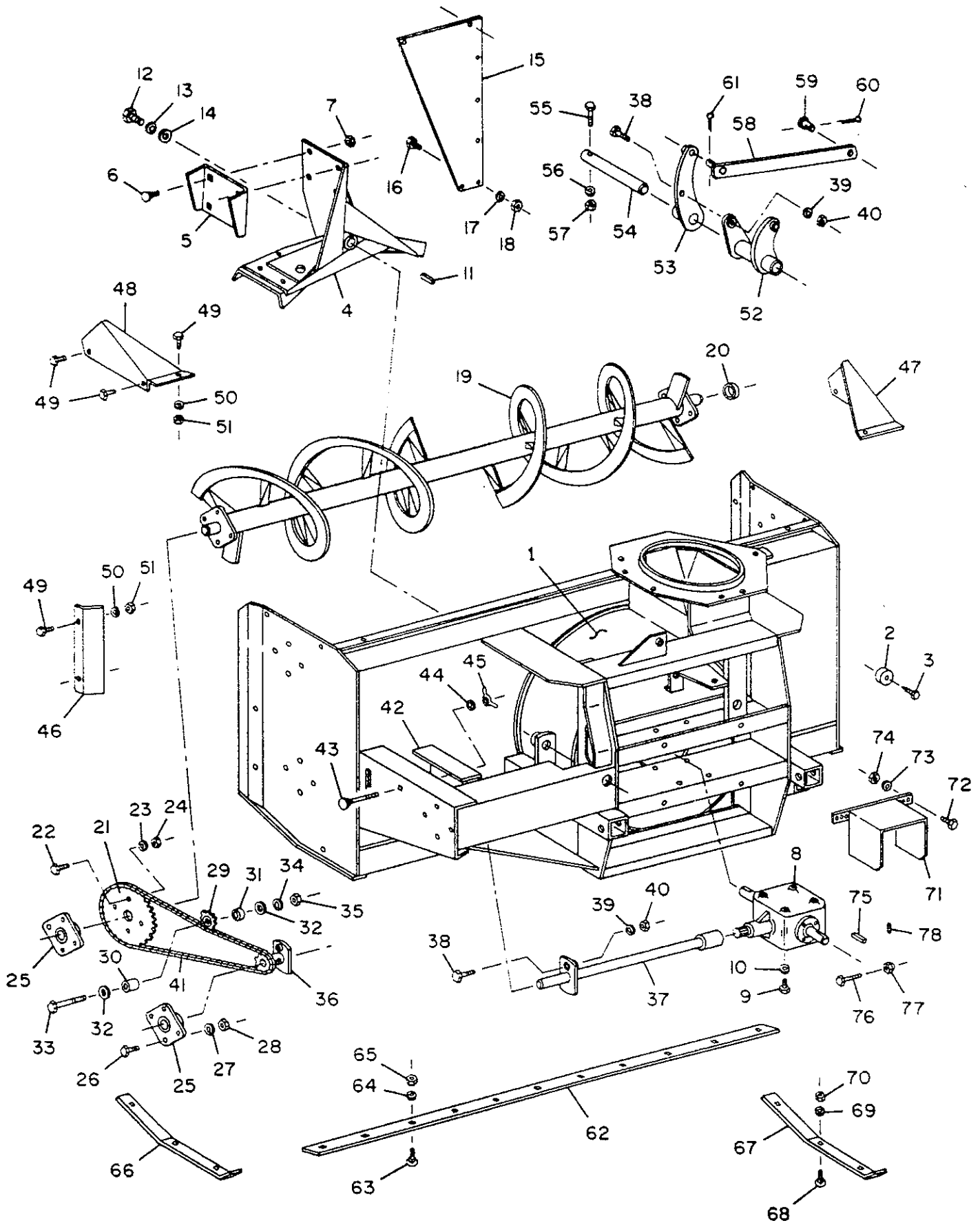
PARTS LIST INDEX

=====

COMPONENTS	DESCRIPTION	PAGE
-----	-----	----
I	SNOWBLOWER HEAD AND RELATED PARTS	2
II	WORM GEAR ASSEMBLY	5
III	STANDARD CHUTE	6
IV	HYDRAULIC CHUTE ROTATION BY CYLINDER.....	7
V	HYDRAULIC CHUTE ROTATION BY MOTOR	9
VI	THREE POINTS HITCH ASSEMBLY	11
VII	DRIVELINE ASSEMBLY	12
VIII	INDUSTRIAL THREE PART CHUTE	13
IX	TRUCK LOADING CHUTE	14
X	INDUSTRIAL ORBIT MOTOR CHUTE ROTATION ...	15
XI	SECOND AUGER CONVERSION KIT	17

DECALS

I	SAFETY DECALS	18
	INSTRUCTIONAL DECALS	18



SNOWBLOWER HEAD AND RELATED PARTS

COMPONENT I

=====		=====		
MODEL		84"	96"	
=====				
REF	DESCRIPTION	QTY	PART NO.	PART NO.
=====				
1	Rotary drum	1	659023	659023
2	Rotary drum guide	2	659078	659078
3	Screw (3/8" NC x 1", self tapping) ...	2	659079	659079
4	Fan	1	659085	659085
5	Fan blade	3	655157	655157
6	Bolt (7/16" NC x 1", carriage)	12	O/L	O/L
7	Nut (7/16" NC, hex "stover")	12	O/L	O/L
8	Gear box assembly	1	656549	656549
9	Bolt (1/2" NC x 1", hex)	8	O/L	O/L
10	Washer (1/2", lock)	8	O/L	O/L
11	Key (3/8" x 3/8" x 2 3/4" lg.)	1	654174	654174
12	Bolt (5/8" NC x 1 1/2", hex)	1	O/L	O/L
13	Washer (5/8", lock)	1	O/L	O/L
14	Washer (11/16" hole dia., flat)	1	O/L	O/L
15	Restriction plate	1	659268	659268
16	Bolt (3/8" NC x 3/4", hex)	7	O/L	O/L
17	Washer (3/8", lock)	7	O/L	O/L
18	Nut (3/8" NC, hex)	7	O/L	O/L
19	Auger assembly	1	655776	655957
20	Auger spacer	1	655812	655812
21	Sprocket (1 1/4" hole dia.)	1	65407	655958
22	Bolt (3/8" NC x 1 1/4", hex)	4	O/L	O/L
23	Washer (3/8", lock)	4	O/L	O/L
24	Nut (3/8" NC, hex)	4	O/L	O/L
25	Bearing unit	3	65482	65482
26	Bolt (1/2" NC x 1 1/2", hex)	12	O/L	O/L
27	Washer (1/2", lock)	12	O/L	O/L
28	Nut (1/2" NC, hex)	12	O/L	O/L
29	Sprocket idler	1	65410	654756
30	Spacer	1	656911	659164
31	Spacer	1	656912	659165
32	Washer (11/16" hole dia., flat)	2	O/L	----
	Washer (13/16" hole dia., flat)	2	----	O/L
33	Bolt (5/8" NC x 5", hex)	1	O/L	----
	Bolt (3/4" NC x 5", hex)	1	----	O/L
34	Washer (5/8", lock)	1	O/L	----
	Washer (3/4", lock)	1	----	O/L
35	Nut (5/8" NC, hex)	1	O/L	----
	Nut (3/4" NC, hex)	1	----	O/L
36	Sprocket with shear plate	1	65424	655960
37	Drive shaft	1	655786	655959
38	Shear bolt (5/16" NC x 2", gr.2, hex).	2	O/L	O/L
39	Washer (5/16", lock)	2	O/L	O/L
40	Nut (5/16" NC, hex)	2	O/L	O/L
41	Chain (# 60 x 98 links, included ..	1	659061	----
	connecting link)			
	Half link (# 60 STD)	1	65425	----
	Chain (# 80 x 80 links, included ..	1	----	659093
	connecting link)			
=====				

SNOWBLOWER HEAD AND RELATED PARTS

COMPONENT I

MODEL		84"	96"
REF	DESCRIPTION	QTY	PART NO. PART NO.
42	Chain cover	1	659037 659037
43	Bolt (3/8" NC x 4 1/2", carriage)	1	0/L 0/L
44	Washer (3/8", lock)	1	0/L 0/L
45	Nut (3/8" NC, wing)	1	0/L 0/L
46	Chain guard	1	655778 655961
47	Body brace R.H.	1	656240 656347
48	Body brace L.H.	1	656241 656293
49	Bolt (3/8" NC x 1", hex)	6	0/L 0/L
50	Washer (3/8", lock)	6	0/L 0/L
51	Nut (3/8" NC, wing)	6	0/L 0/L
52	Rotary drum system	1	659027 659027
53	Rotary drum lever	1	659028 659028
54	Pin (1 1/4" dia. x 10 7/8" lg.)	1	659020 659020
55	Bolt (5/16" NC x 2 1/4", hex)	1	0/L 0/L
56	Washer (5/16", lock)	1	0/L 0/L
57	Nut (5/16" NC, hex)	1	0/L 0/L
58	Rotary drum arm	1	659026 659026
59	Pin (3/4" dia. x 1 3/16" lg.)	1	659041 659041
60	Pin (1/8" dia. x 1 1/4", cotter)	1	0/L 0/L
61	Pin (3/16" dia. x 1 1/4", cotter)	1	0/L 0/L
62	Cutting edge	1	659025 659046
63	Bolt (7/16" NC x 1 1/2", carriage) ...	12	0/L 0/L
64	Washer (7/16", lock)	12	0/L 0/L
65	Nut (7/16" NC, hex)	12	0/L 0/L
66	Skid shoe L.H.	1	659022 659022
67	Skid shoe R.H.	1	659021 659021
68	Bolt (7/16" NC x 1 1/2", plow)	6	0/L 0/L
69	Washer (7/16", lock)	6	0/L 0/L
70	Nut (7/16" NC, hex)	6	0/L 0/L
71	Driveline guard	1	659162 659162
72	Bolt (7/16" NC x 1", hex)	2	0/L 0/L
73	Washer (7/16", lock)	2	0/L 0/L
74	Nut (7/16" NC, hex)	2	0/L 0/L
75	Key (3/8" x 3/8" x 2" lg.)	1	65402 65402
76	Bolt for driveline (5/16" NC x 3", hex)	1	0/L 0/L
77	Nut (5/16" NC, nylon lock)	1	0/L 0/L
78	Set screw (3/8" NC x 1/2", allen)	1	0/L 0/L

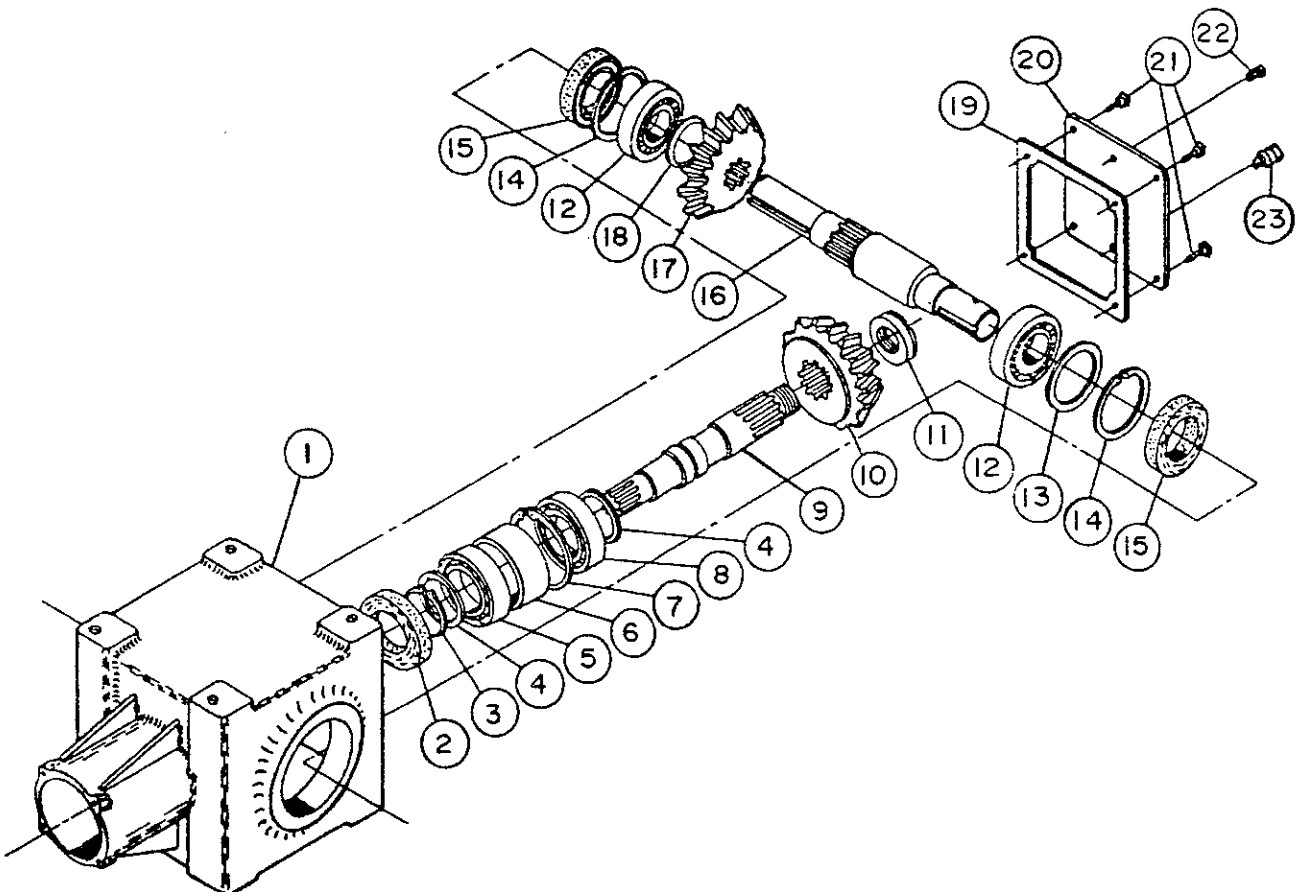
OPTIONAL COMPONENT

	Rotary drum cylinder (2 1/2" x 8") ...	1	657000 657000
--	--	---	---------------

GEAR BOX ASSEMBLY (656549)

COMPONENT II

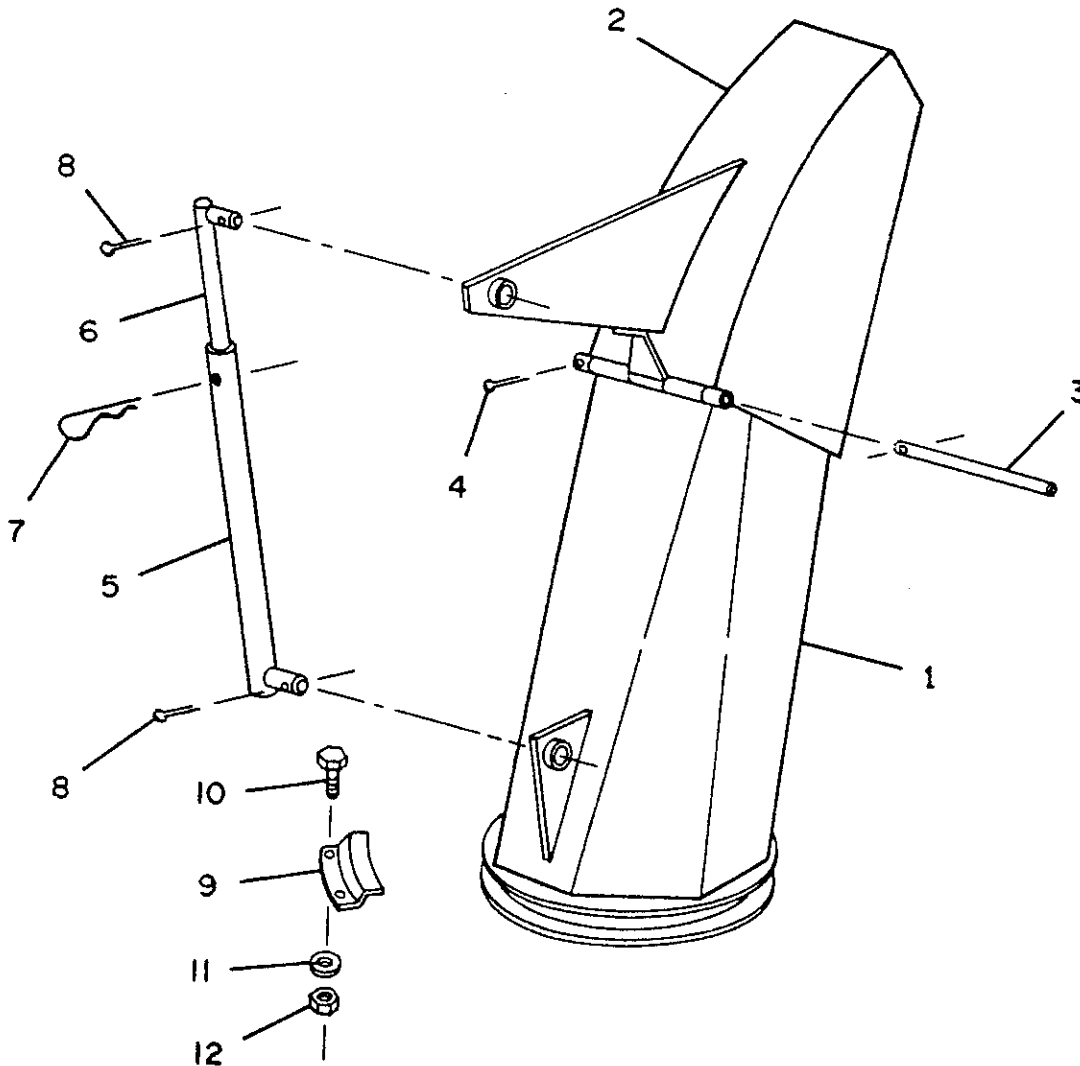
REF	DESCRIPTION	QTY	PART NO.
1	Casing	1	656640
2	Dust excluder 35 x 72 x 12	1	656650
3	External circlip 35 UNI7435	1	656652
4	Shim 35,3 x 43	2	656649
5	Bearing 6207	1	656653
6	Spacer	1	656648
7	Internal circlip 72 UNI7437	1	656654
8	Bearing 30207	1	656647
9	Shaft	1	656651
10	Gear Z 18	1	656645
11	External circlip 40 UNI7435	1	656646
12	Bearing 30208	2	656641
13	Shim 65,3 x 79,7	1	656644
14	Internal circlip 80 UNI7437	2	656642
15	Dust excluder 40 x 80 x 12	2	656643
16	Shaft	1	656661
17	Gear Z 18	1	656657
18	Shim 40,3 x 51,5	1	656655
19	Gasket	1	656658
20	Cover	1	656660
21	Hex bolt M10 x 14	4	656659
22	Oil plug 3/8" NPT	2	655259
23	Oil filter plug	1	656662

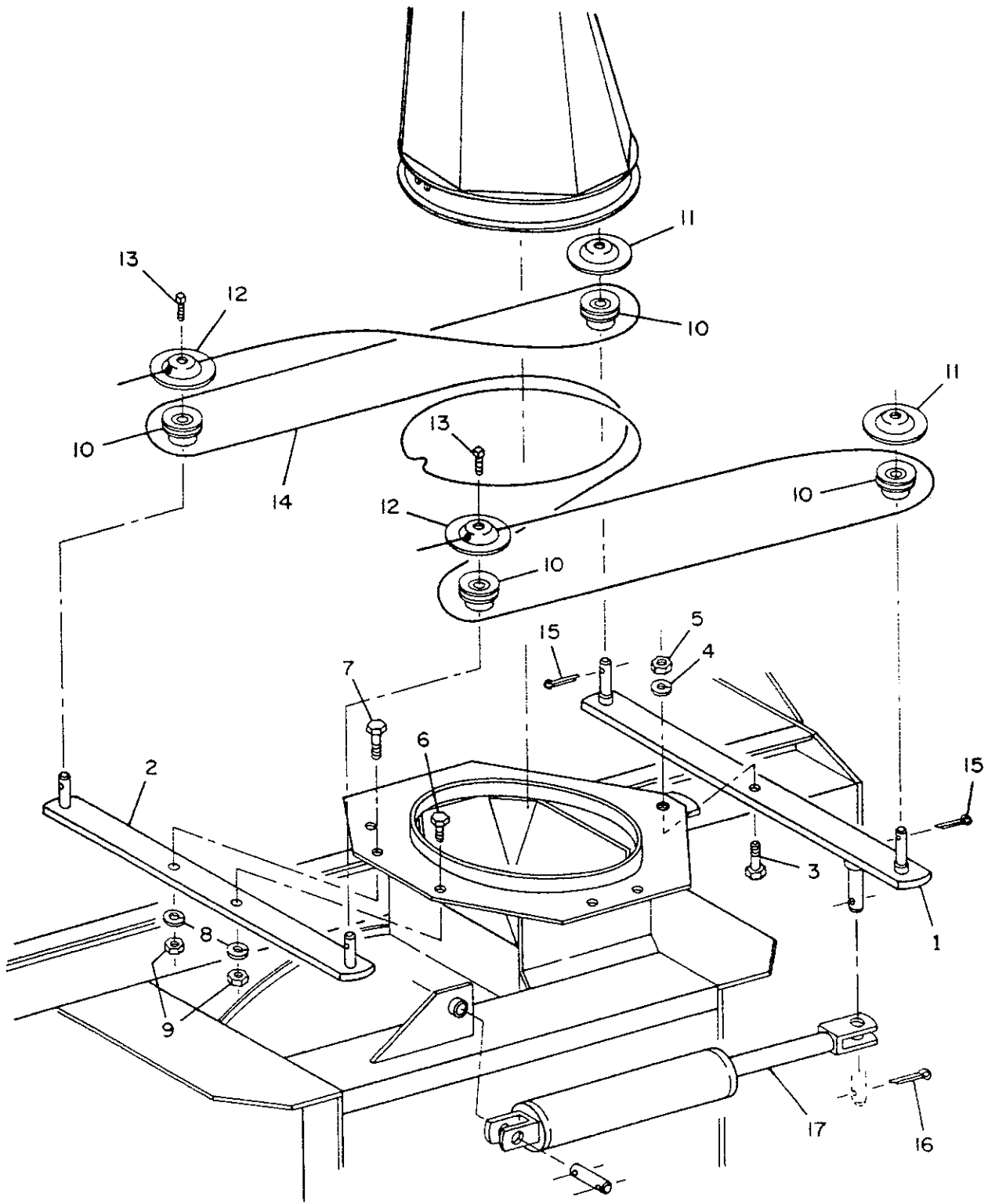


STANDARD CHUTE

COMPONENT III

REF	DESCRIPTION	QTY	PART NO.
1	Chute base	1	65473
2	Deflector chute	1	65472
3	Pin (7/16" dia. x 11 5/8" lg.)	1	65475
4	Pin (3/32" dia. x 1", cotter)	1	O/L
5	Adjustment pipe	1	65476
6	Adjustment rod	1	65474
7	Pin (5 mm dia. x 100 mm, hair)	1	659073
8	Pin (1/4" dia. x 2", cotter)	2	O/L
9	Retaining plate	3	65477
10	Bolt (1/2" NC x 1", hex)	6	O/L
11	Washer (1/2", lock)	6	O/L
12	Nut (1/2" NC, hex)	6	O/L





HYDRAULIC CHUTE ROTATION BY CYLINDER

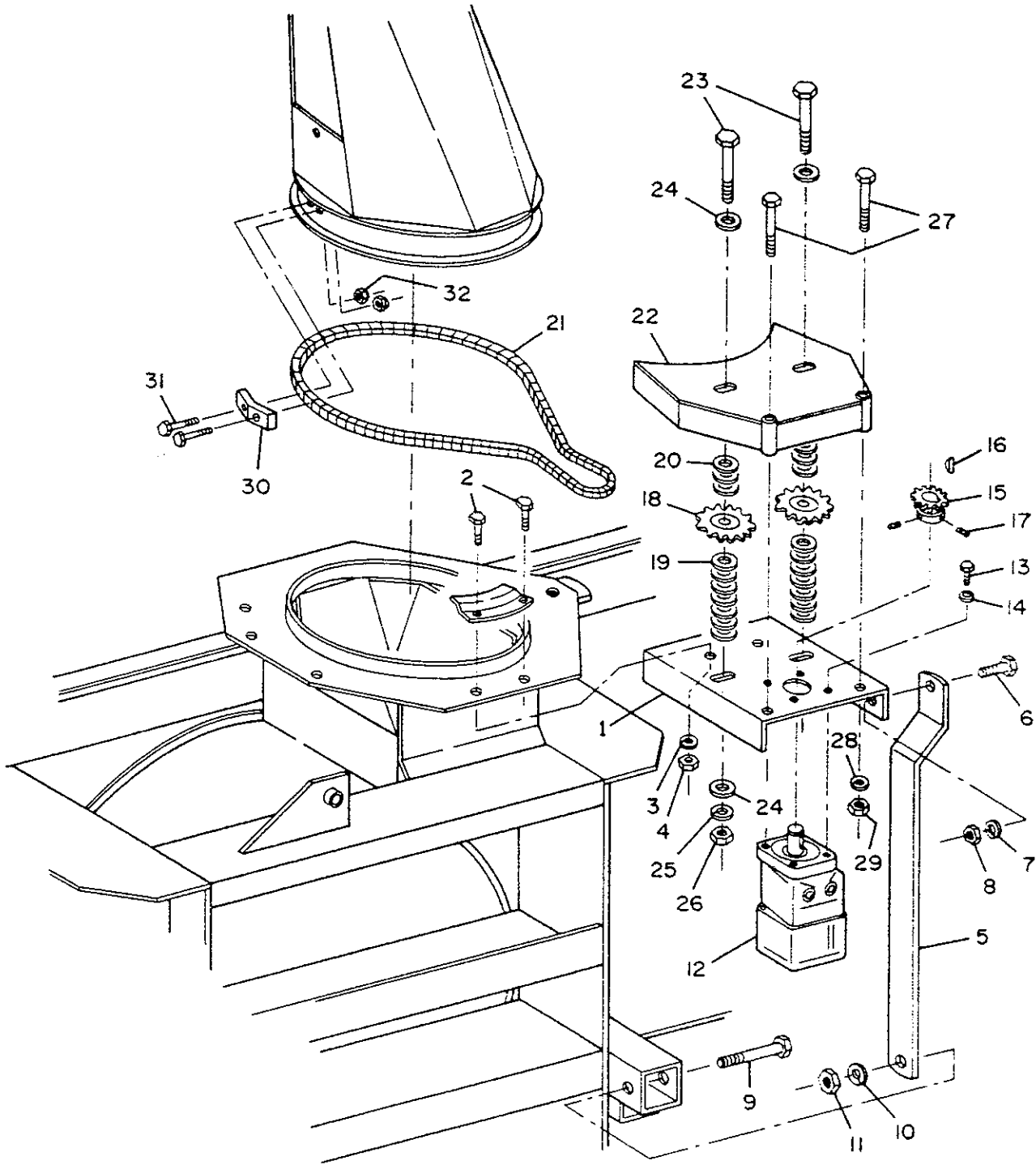
COMPONENT IV

REF	DESCRIPTION	QTY	PART NO.
1	Rotation arm	1	659024
2	Pulley support	1	659029
3	Bolt (5/8" NC x 2", hex)	1	0/L
4	Washer (5/8", lock)	1	0/L
5	Nut (5/8" NC, hex)	1	0/L
6	Bolt (1/2" NC x 1 1/4", hex)	1	0/L
7	Bolt (1/2" NC x 1 1/2", hex)	1	0/L
8	Washer (1/2", lock)	2	0/L
9	Nut (1/2" NC, hex)	2	0/L
10	Pulley (2 1/2" dia. x 5/8" hole dia.)	4	654191
11	Pulley guard	2	654193
12	Pulley guard with hole	2	659045
13	Screw (1/4" NC x 1" lg., square head)	2	0/L
14	Cable (3/16" dia. x 182" lg.)	1	657243
15	Pin (5/32" dia. x 1", cotter)	2	0/L
16	Pin (3/16" dia. x 1 3/4", cotter)	1	0/L

OPTIONAL COMPONENT

=====

17	Cylinder (2 1/2" x 8" or 3" x 8")	1	0/L
----	---	---	-----



HYDRAULIC CHUTE ROTATION BY MOTOR

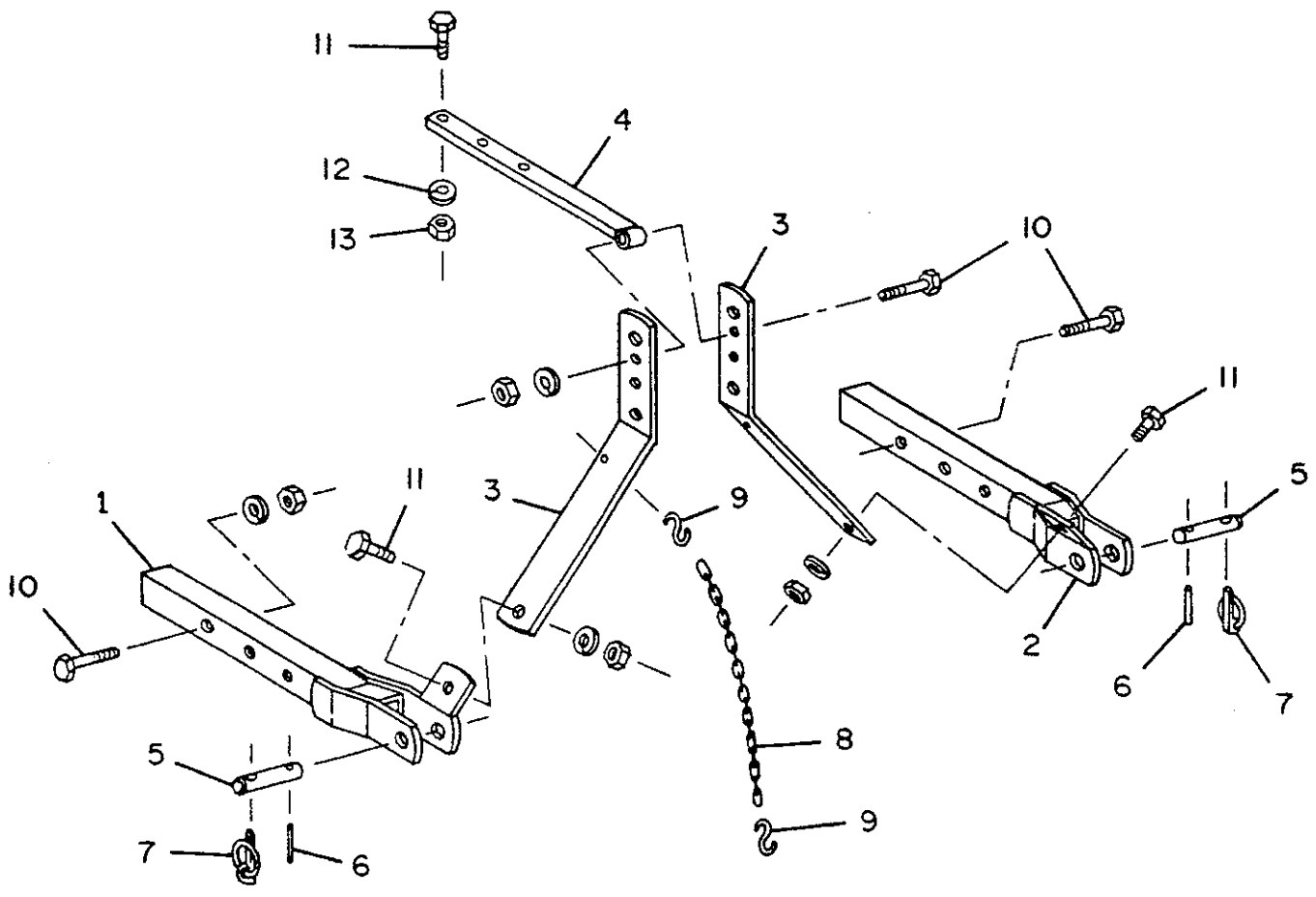
COMPONENT V

REF	DESCRIPTION	QTY	PART NO.
1	Support plate	1	659136
2	Bolt (1/2" NC x 1 1/4", hex)	2	0/L
3	Washer (1/2", lock)	2	0/L
4	Nut (1/2" NC, hex)	2	0/L
5	Support bracket	1	659144
6	Bolt (1/2" NC x 1 1/4", hex)	1	0/L
7	Washer (1/2", lock)	1	0/L
8	Nut (1/2" NC, hex)	1	0/L
9	Bolt (3/4" NC x 4 1/2", hex)	1	0/L
10	Washer (3/4", lock)	1	0/L
11	Nut (3/4" NC, hex)	1	0/L
12	Hydraulic motor w/"woodruff" key	1	654108
13	Bolt (3/8" NC x 3/4", hex)	4	0/L
14	Washer (3/8", lock)	4	0/L
15	Sprocket (#H60B10, 1" hole dia.)	1	654706
16	Key "woodruff" (1/4" X 1" DIA.)	1	659191
17	Set screw (5/16" NC x 5/16", allen)	2	0/L
18	Idler sprocket	2	65410
19	Washer (11/16" hole dia., flat)	14	0/L
20	Washer (11/16" hole dia., flat)	6	0/L
21	Chain (# 60 x 71 links)	1	659143
	Offset link (# A-2060)	1	658239
	Connecting link (# A-2060)	1	658238
22	Cover guard	1	659135
23	Bolt (5/8" NC x 4", hex)	2	0/L
24	Washer (11/16" hole dia., flat)	4	0/L
25	Washer (5/8", lock)	2	0/L
26	Nut (5/8" NC, hex)	2	0/L
27	Bolt (1/2" NC x 3 1/4", hex)	2	0/L
28	Washer (1/2", lock)	2	0/L
29	Nut (1/2" NC, hex)	2	0/L
30	Stopper	1	657225
31	Bolt (3/8" NC x 2", hex)	2	0/L
32	Nut (3/8" NC, nylon lock)	2	0/L

THREE POINTS HITCH ASSEMBLY

COMPONENT VI

REF	DESCRIPTION	QTY	PART NO.
1	Lower hitch tube - left hand	1	655780
2	Lower hitch tube - right hand	1	655789
3	Three point hitch	2	655779
4	Upper hitch	1	659086
5	Pin Cat. 2	2	655813
6	Pin (1/4" dia. x 1 3/4", roll)	2	0/L
7	Pin (7/16" dia., linch)	2	658755
8	Chain (R-1024 x 12" lg.)	1	654200
9	"S"-hook (7/32" dia. x 2 1/2" lg.)	2	0/L
10	Bolt (3/4" NC x 4", hex)	3	0/L
11	Bolt (3/4" NC x 2", hex)	3	0/L
12	Washer (3/4", lock)	6	0/L
13	Nut (3/4" NC, hex)	6	0/L

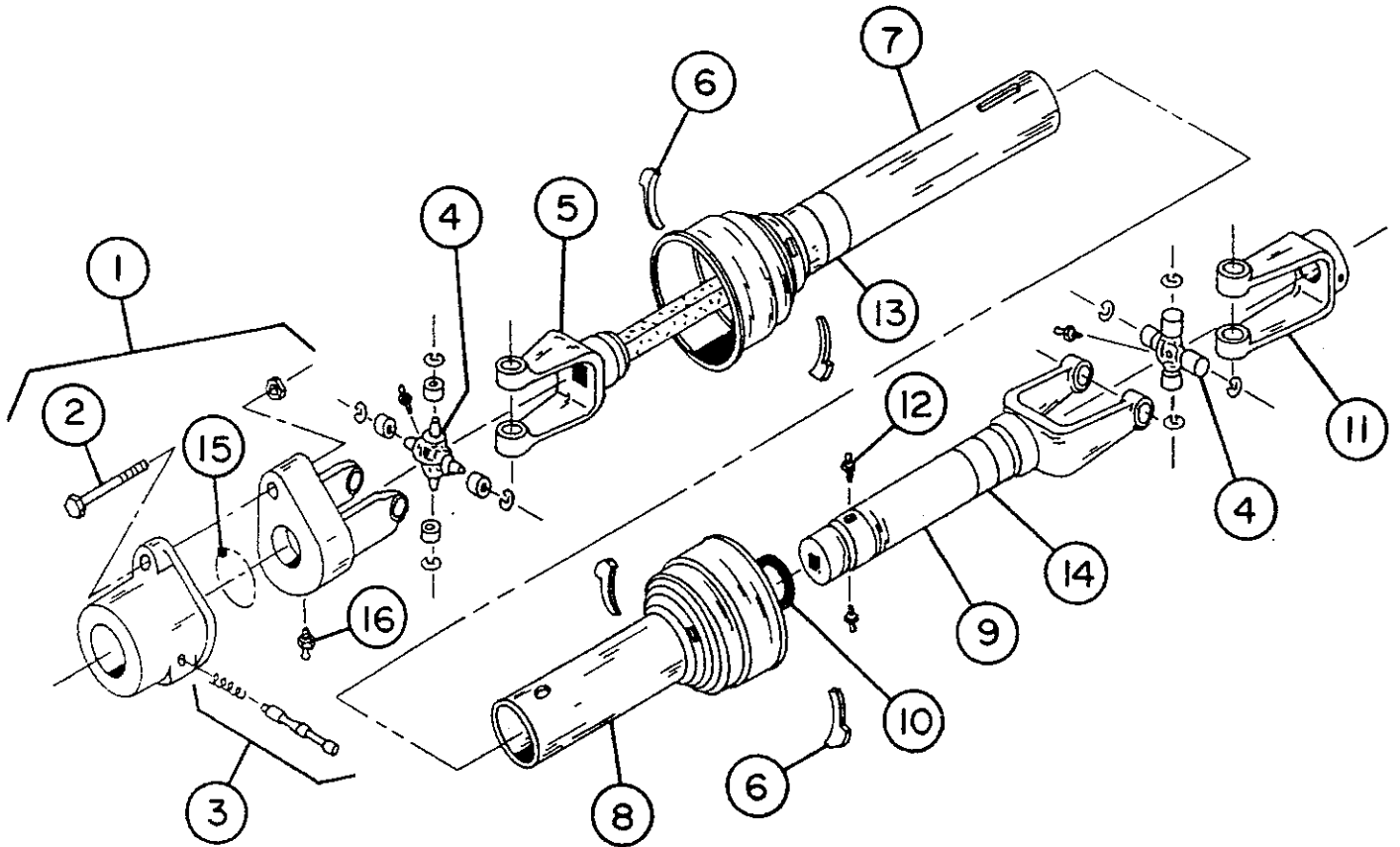


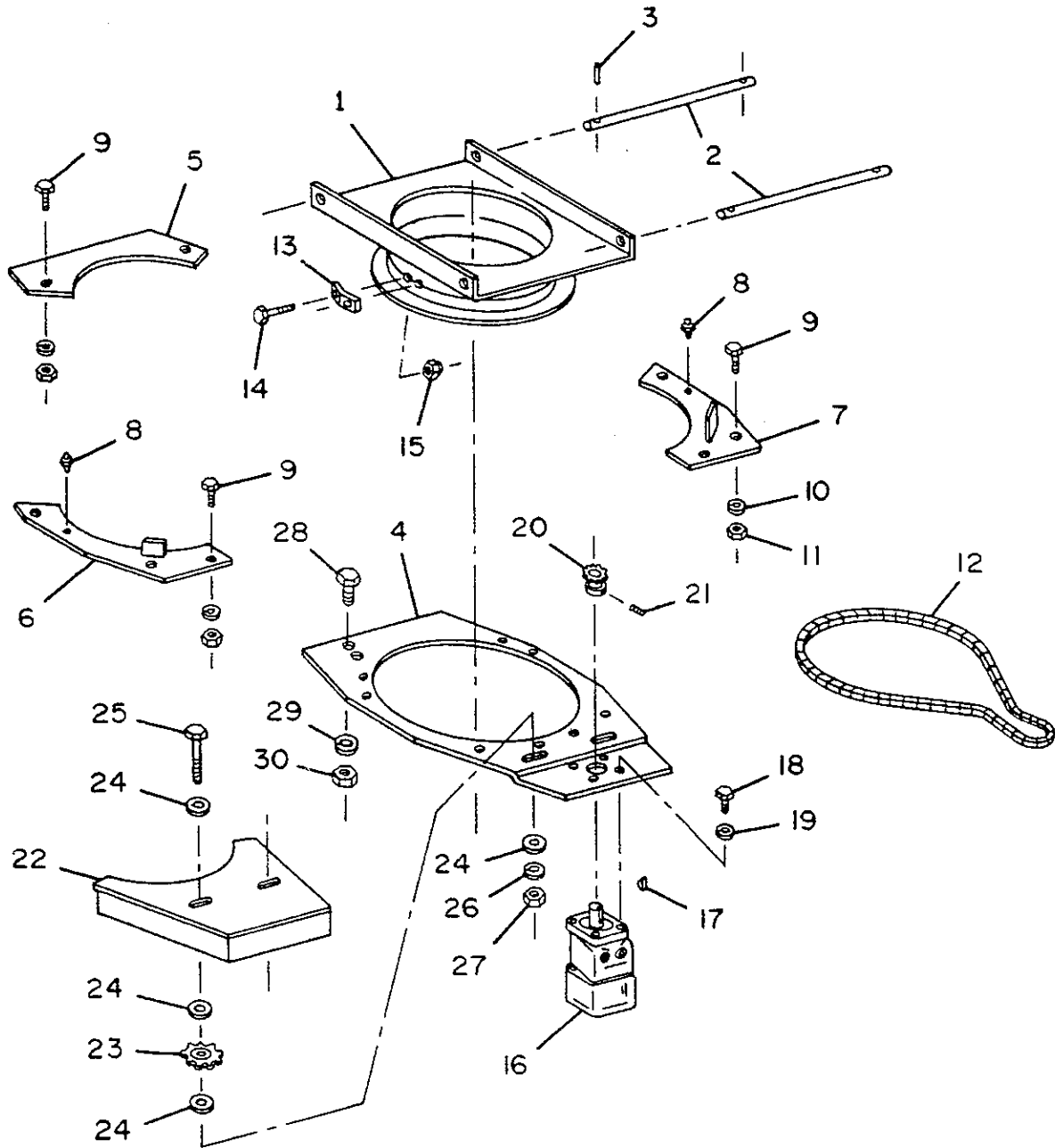
DRIVELINE ASSEMBLY (658014)

COMPONENT VII

=====

REF	DESCRIPTION	QTY	PART NO.
1	Quick disconnect yoke ass'y (ref 2,3,15 and 16).	1	657545
2	Bolt (3/8" NC x 2 1/4", w/nylon lock nut)	1	657549
3	Quick disconnect Pin Service	1	658261
4	Universal joint kit	2	65430
5	Yoke and male shaft assembly	1	658254
6	Shield nylon retainers	4	657541
7	Outer shield	1	658256
8	Inner shield	1	658257
9	Yoke and female shaft assembly	1	658259
10	Shield bearing	1	658260
11	Yoke	1	65441
12	Grease fitting	2	654106
13	Decal - out - in ref 7	1	656781
14	Decal - inn - in ref 9	1	658269
15	Steel balls	25	658267
16	Grease fitting	1	658268





INDUSTRIAL ORBIT MOTOR CHUTE ROTATION

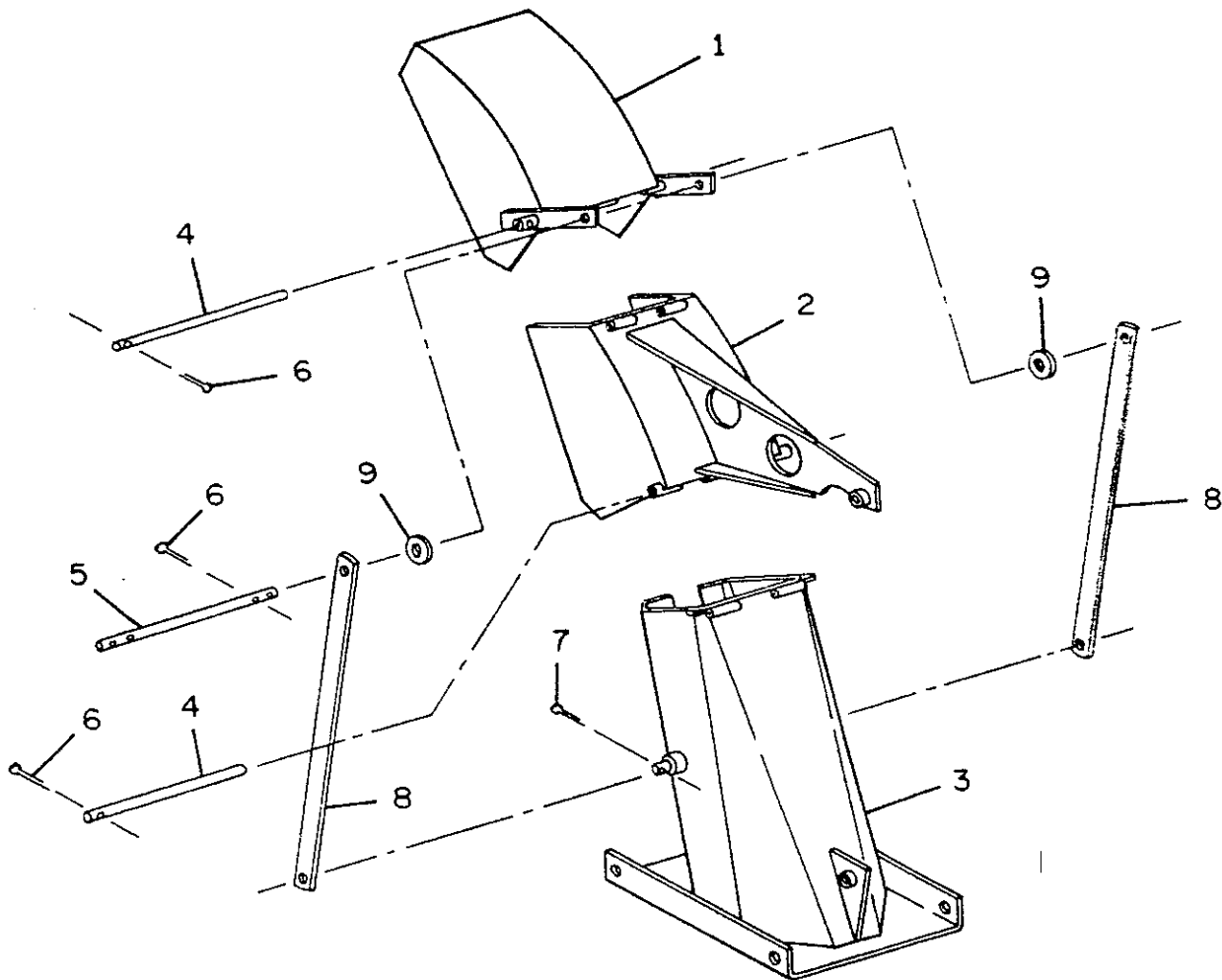
COMPONENT X

REF	DESCRIPTION	QTY	PART NO.
1	Chute base	1	655992
2	Rod	2	656317
3	Pin (1/4" dia. x 1 1/2", roll)	4	0/L
4	Motor plate	1	655989
5	Retaining plate	1	655990
6	Retaining plate	1	656318
7	Retaining plate	1	656319
8	Grease fitting (1/4" NF)	2	654106
9	Bolt (1/2" NC x 2", hex)	8	0/L
10	Nut (1/2" NC, hex)	8	0/L
11	Washer (1/2", lock)	8	0/L
12	Chain #60 x 69 links	1	656326
	Double offset link	1	658239
	Double connecting link	1	658238
	Half link	1	65425
13	Stopper	1	657225
14	Bolt (3/8" NC x 2", hex)	2	0/L
15	Nut (3/8" NC, nylon lock)	2	0/L
16	Motor Mac 24001 with Woodruff key	1	654108
17	Key "woodruff" (1/4" x 1" dia.)	1	659191
18	Bolt (3/8" NC x 3/4", hex)	4	0/L
19	Washer (3/8", lock)	4	0/L
20	Sprocket (60B10)	1	654706
21	Set screw (5/16" NC x 5/16", allen)	2	0/L
22	Cover	1	655991
23	Sprocket (idler)	2	65410
24	Washer (11/16" hole dia., flat)	26	0/L
25	Bolt (5/8" NC x 4", hex)	2	0/L
26	Washer (5/8", lock)	2	0/L
27	Nut (5/8" NC, hex)	2	0/L
28	Bolt (3/4" NC x 1 1/2", hex)	1	0/L
29	Washer (3/4", lock)	1	0/L
30	Nut (3/4" NC, hex)	1	0/L

INDUSTRIAL THREE PART CHUTE

COMPONENT VIII

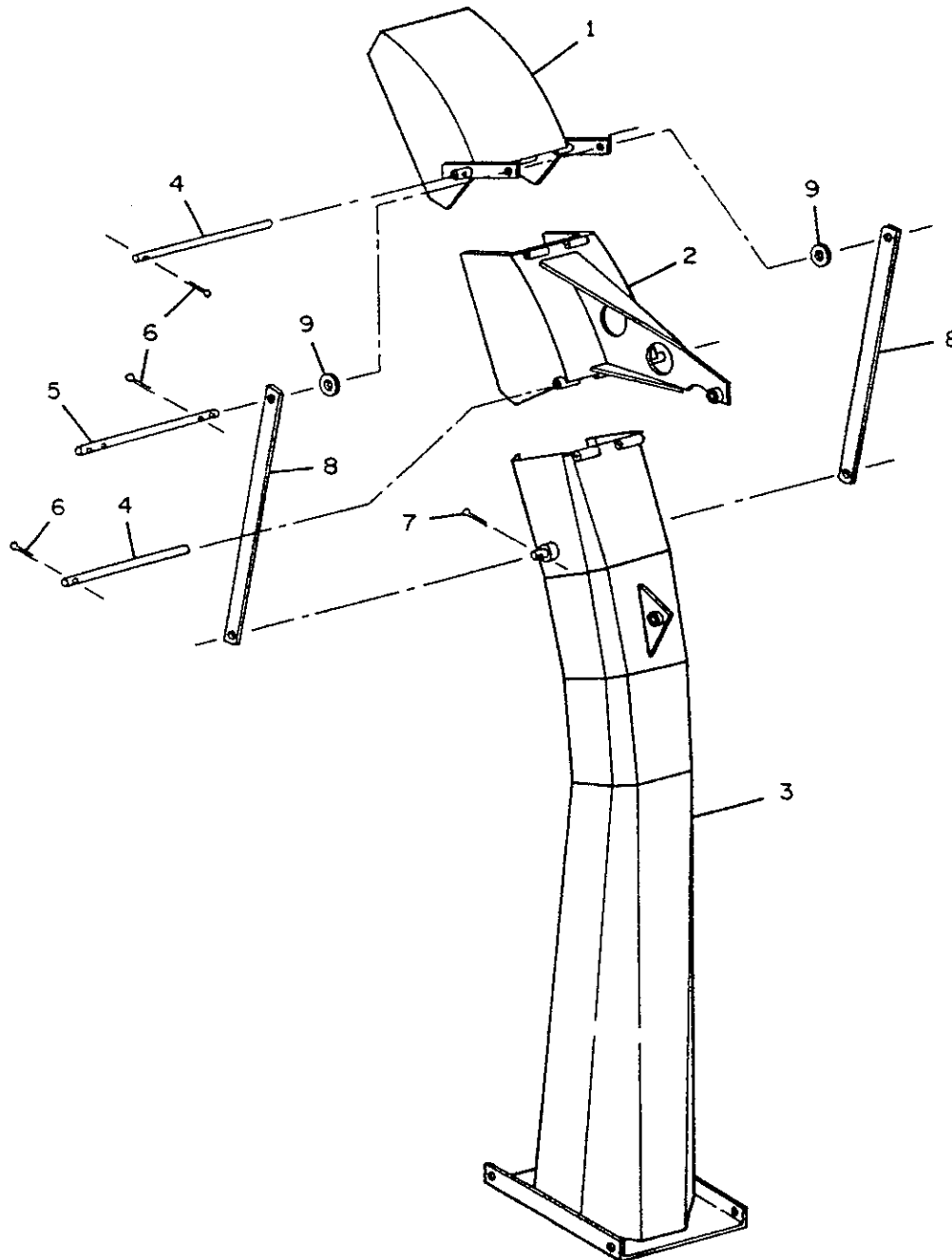
REF	DESCRIPTION	QTY	PART NO.
1	Deflector	1	654900
2	Center chute	1	654899
3	Base chute	1	656556
4	Hinge rod	2	65475
5	Chute rod	1	654896
6	Pin (1/8" dia. x 1", cotter)	6	O/L
7	Pin (1/8" dia. x 1 1/2", cotter)	2	O/L
8	Deflector adjustment strap	2	654895
9	Washer (1/2" hole dia., flat)	2	O/L



TRUCK LOADING CHUTE

COMPONENT IX

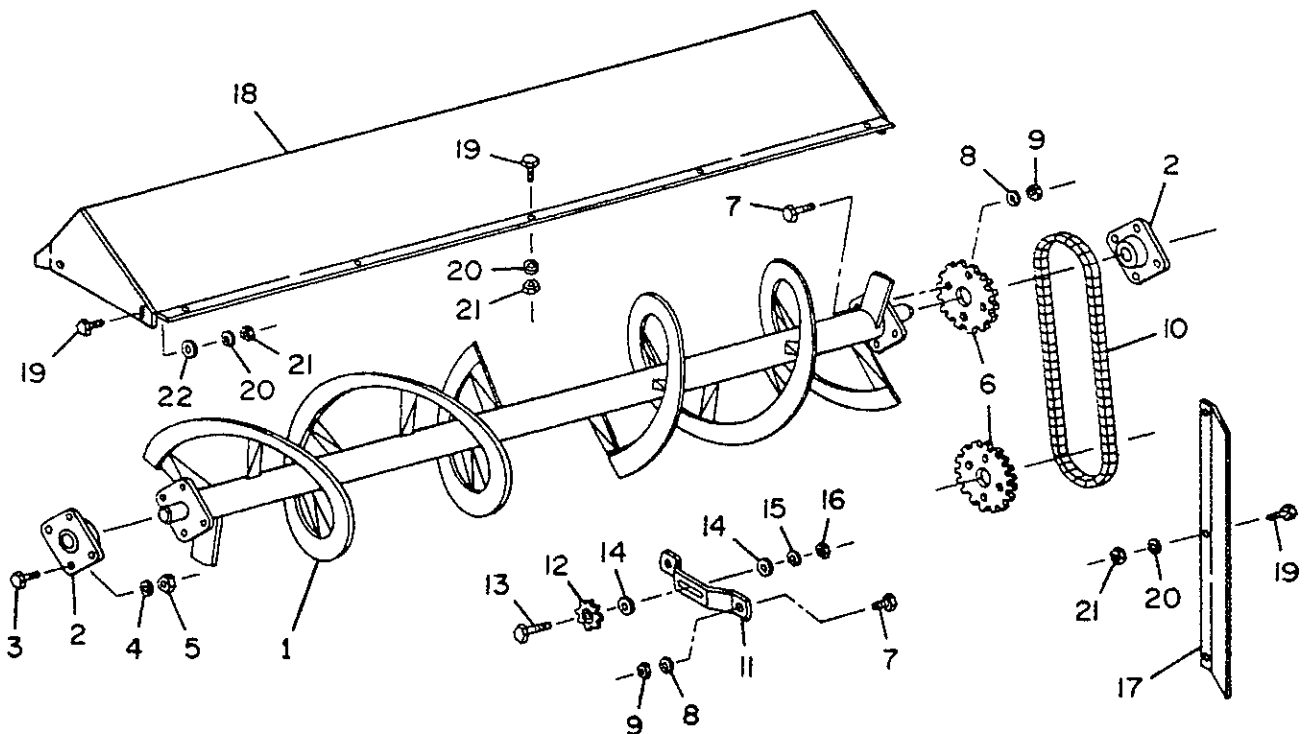
REF	DESCRIPTION	QTY	PART NO.
1	Deflector	1	654900
2	Center chute	1	654899
3	Base chute	1	656266
4	Hinge rod	2	65475
5	Chute rod	1	654896
6	Pin (1/8" dia. x 1", cotter)	6	0/L
7	Pin (1/8" dia. x 1 1/2", cotter)	2	0/L
8	Deflector adjustment strap	2	654895
9	Washer (1/2" hole dia., flat)	2	0/L



SECOND AUGER CONVERSION KIT

COMPONENT XI

MODEL		84"	96"
REF	DESCRIPTION	QTY	PART NO. PART NO.
1	Auger assembly	1	655777 655997
2	Bearing	2	65482 65482
3	Bolt (1/2" NC x 1 1/2", hex)	8	0/L 0/L
4	Washer (1/2", lock)	8	0/L 0/L
5	Nut (1/2" NC, hex)	8	0/L 0/L
6	Sprocket (#60A32)	2	654167 654167
7	Bolt (3/8" NC x 1 1/4", hex)	10	0/L 0/L
8	Washer (3/8", lock)	10	0/L 0/L
9	Nut (3/8" NC, hex)	10	0/L 0/L
10	Auger drive chain no 60 - 81 links ...	1	654788 654788
	Connecting link no. 60	1	654839 654839
	Half link no. 60	1	65425 65425
11	Adjuster	1	655782 655782
12	Idler sprocket CA60	1	65410 65410
13	Bolt (5/8" NCx 2 1/2", hex)	1	0/L 0/L
14	Washer (11/16" hole dia., flat)	2	0/L 0/L
15	Washer (5/8", lock)	1	0/L 0/L
16	Nut (5/8" NC, hex)	1	0/L 0/L
17	Chain guard	1	655787 656279
18	Snowblower frame extension	1	655774 656274
19	Bolt (3/8" NC x 1", hex)	12	0/L 0/L
20	Washer (3/8", lock)	12	0/L 0/L
21	Nut (3/8" NC, hex)	12	0/L 0/L
22	Washer (3/8" hole dia., flat)	2	0/L 0/L

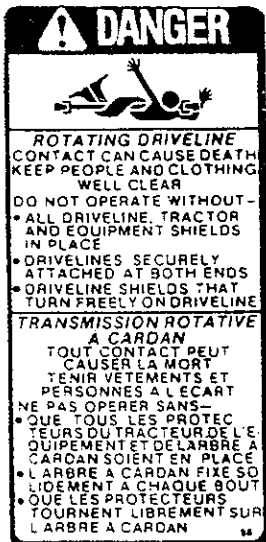


INSTRUCTIONAL AND SAFETY DECALS

DECAL 1

THE FOLLOWING ARE ILLUSTRATIONS OF THE SAFETY DECALS FOUND ON THE SNOWBLOWER. IF THEY BECOME DAMAGED OR LOST, REPLACE THEM IMMEDIATELY. THEY CAN BE OBTAINED FROM YOUR DEALERS.

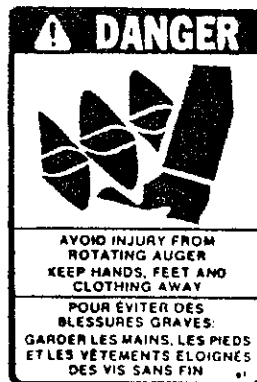
REF	DESCRIPTION	QTY	PART NO.
1	SAFETY DECAL, Danger (# 88) Located on Driveline guard.	1	656781
2	SAFETY DECAL, Danger (# 86) Located on deflector chute, both side.	2	656779
3	SAFETY DECAL, Danger (# 87) Located on top of blower housing, both ends.	2	656780
4	SAFETY DECAL, Warning (# 45) Located on back of chute.	1	656060
5	DECAL, Important (# 21) Located on right hand side of impeller housing.	1	655834
-	DECAL, "BER-VAC" (# 53) Located on top of blower housing, left hand.	1	654638
-	DECAL, "C84TRC" (#174) Located on top of blower housing, right hand.	1	658895
-	DECAL, "C96TRC" (#175) Located on top of blower housing, right hand.	1	658896



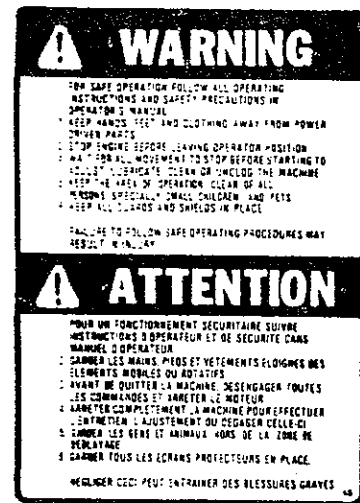
REF 1



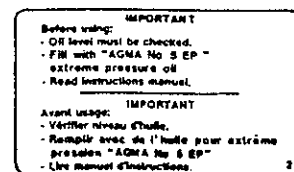
REF 2



REF 3



REF 4



REF 5