

BER-VAC

1125B & 1225B

FRONT MOUNT FRAME

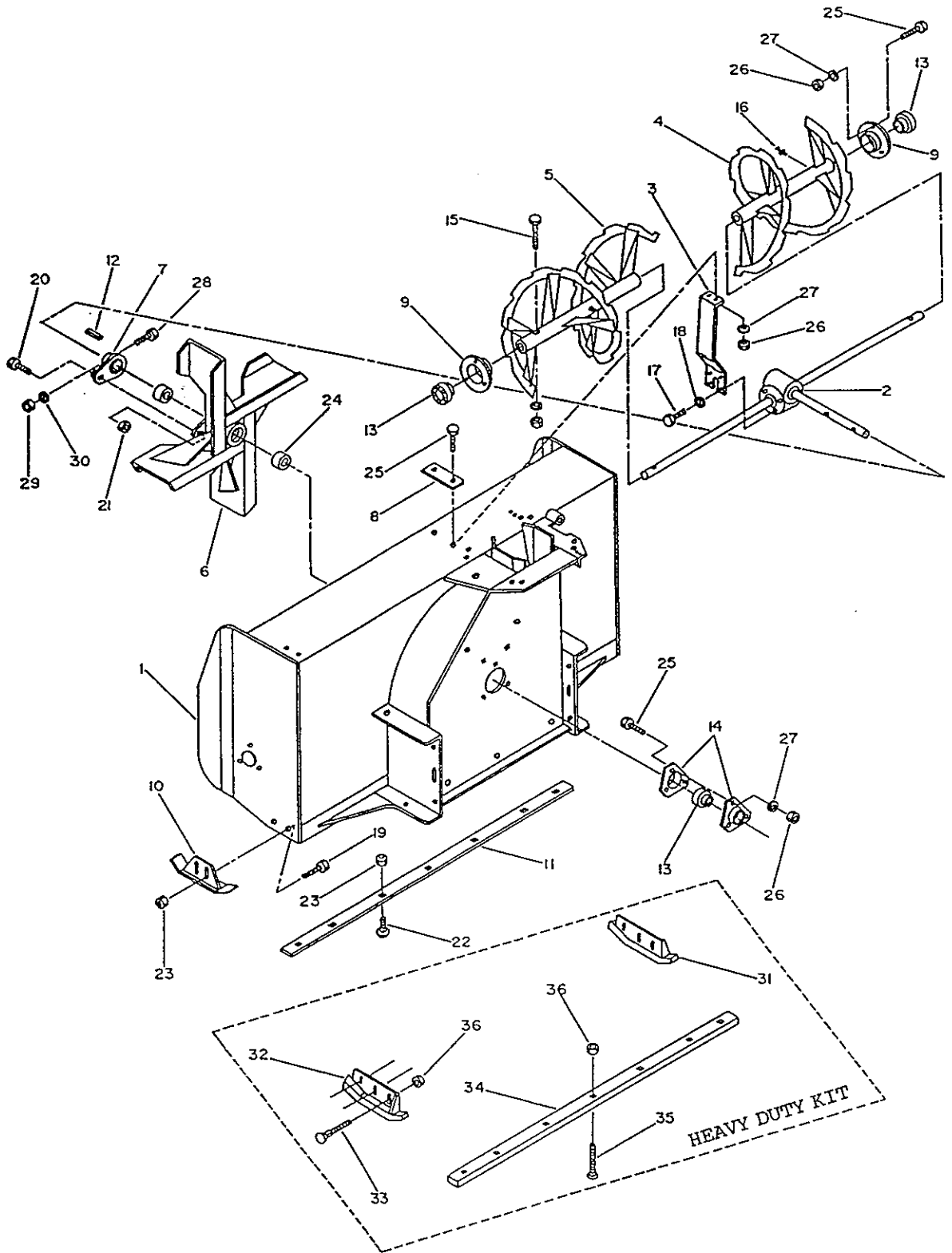
FOR

51 & 63 SNOWBLOWER

MOUNTING ON 12-30 HP TRACTORS

MODELS STARTING AT SERIAL NO. 0300101

SE 51 & SE 63 SNOWBLOWER

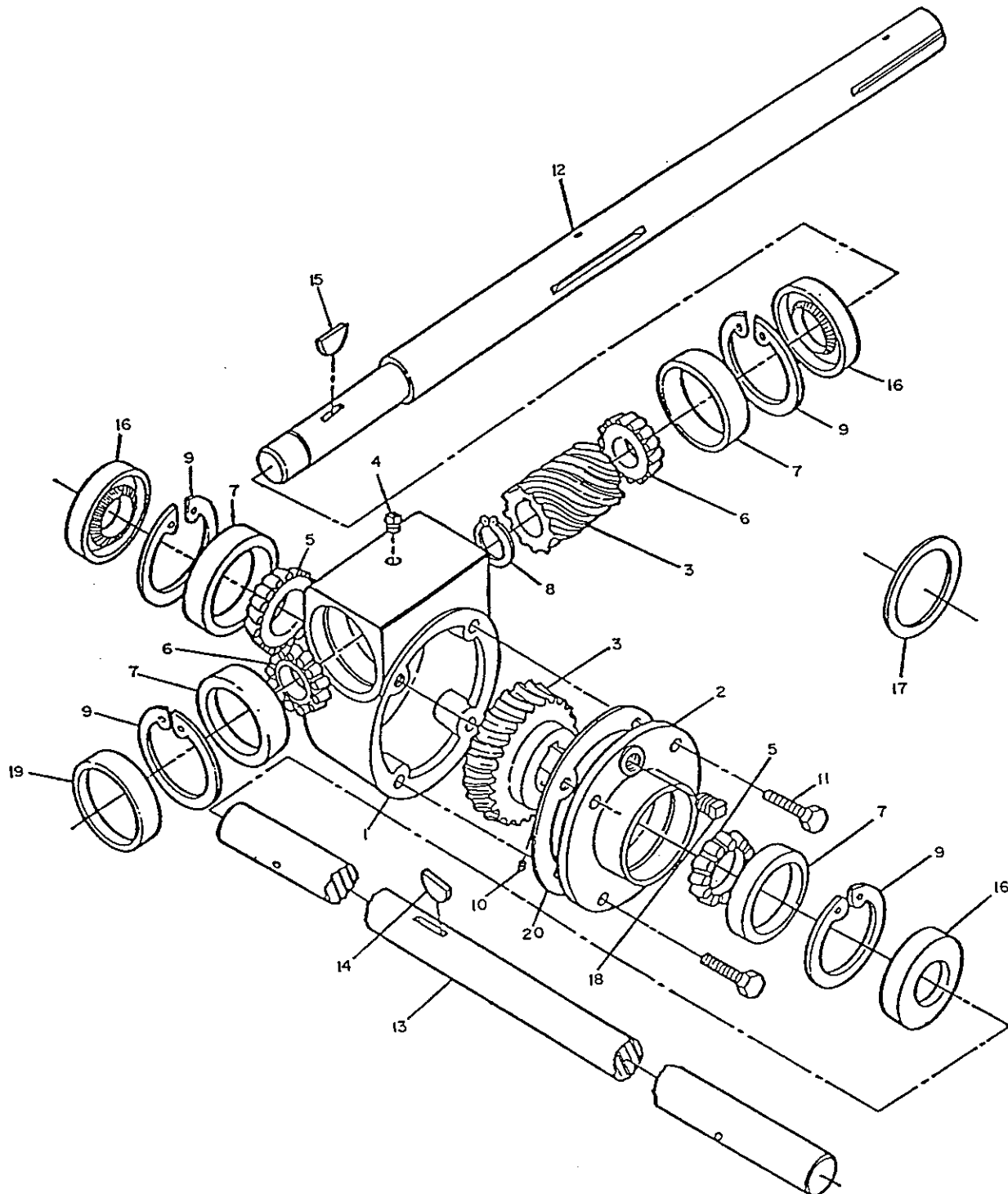


SE 51 & SE 63 SNOWBLOWER

REF	DESCRIPTION	QTY	PART #
1	Housing - 51" model	1	659147
	- 63" model	1	659530
2	Worm gear box - 51" model	1	655936
	- 63" model	1	655937
3	Gear box support	1	659511
4	Auger assembly (RH) - 51" model	1	657315
	- 63" model	1	657317
5	Auger assembly (LH) - 51" model	1	657314
	- 63" model	1	657316
6	Fan	1	659149
7	Shear plate	1	659492
8	Reinforcement bracket	1	654468
9	Bearing flange	2	655282
10	Adjustable skid shoe	2	659493
11	Cutting edge - 51" model	1	659384
	- 63" model	1	659531
12	Key (1/4" x 1/4" 1 1/4")	1	654643
13	Bearing with locking collar	3	654170
14	Bearing flange	2	657893
15	Bolt (special lockwasher & nut)	2	657296
16	Grease fitting	2	654106
17	Bolt (1/2" NC. x 1", hex.)	4	O/L
18	Washer (1/2", lock)	4	O/L
19	Bolt (3/8" NC. x 1", carriage)	4	O/L
20	Bolt (1/4" NC. x 1 1/4", hex.)	1	O/L
21	Nut (1/4" NC., nylon lock)	1	O/L
22	Bolt (3/8" NC. x 1 1/4", plow)	6	O/L
23	Nut (3/8" NC., nylon lock)	10	O/L
24	Bushing (oil-lite)	2	654689
25	Bolt (3/8" NC. x 1", hex.)	11	O/L
26	Nut (3/8" NC., hex.)	11	O/L
27	Washer (3/8", lock)	11	O/L
28	Bolt (5/16" NC. x 2 1/2", hex.)	1	O/L
29	Nut (5/16" NC., hex.)	1	O/L
30	Washer (5/16", lock)	1	O/L
	BOX Optional Heavy Duty Package - 51" model	1	9350
	- 63" model	1	9351
31	Heavy duty skid shoe RH	1	658828
32	Heavy duty skid shoe LH	1	658829
33	Bolt (3/8" NC x 1", carriage)	6	O/L
34	Heavy duty cutting edge - 51" model	1	659325
	- 63" model	1	659352
35	Bolt (3/8" NC x 1 1/4", plow) - 51" model	8	O/L
	- 63" model	10	O/L
36	Nut (3/8" NC, nylon lock) - 51" model	14	O/L
	- 63" model	16	O/L

* O/L = Obtain Locally

WORM GEAR BOX

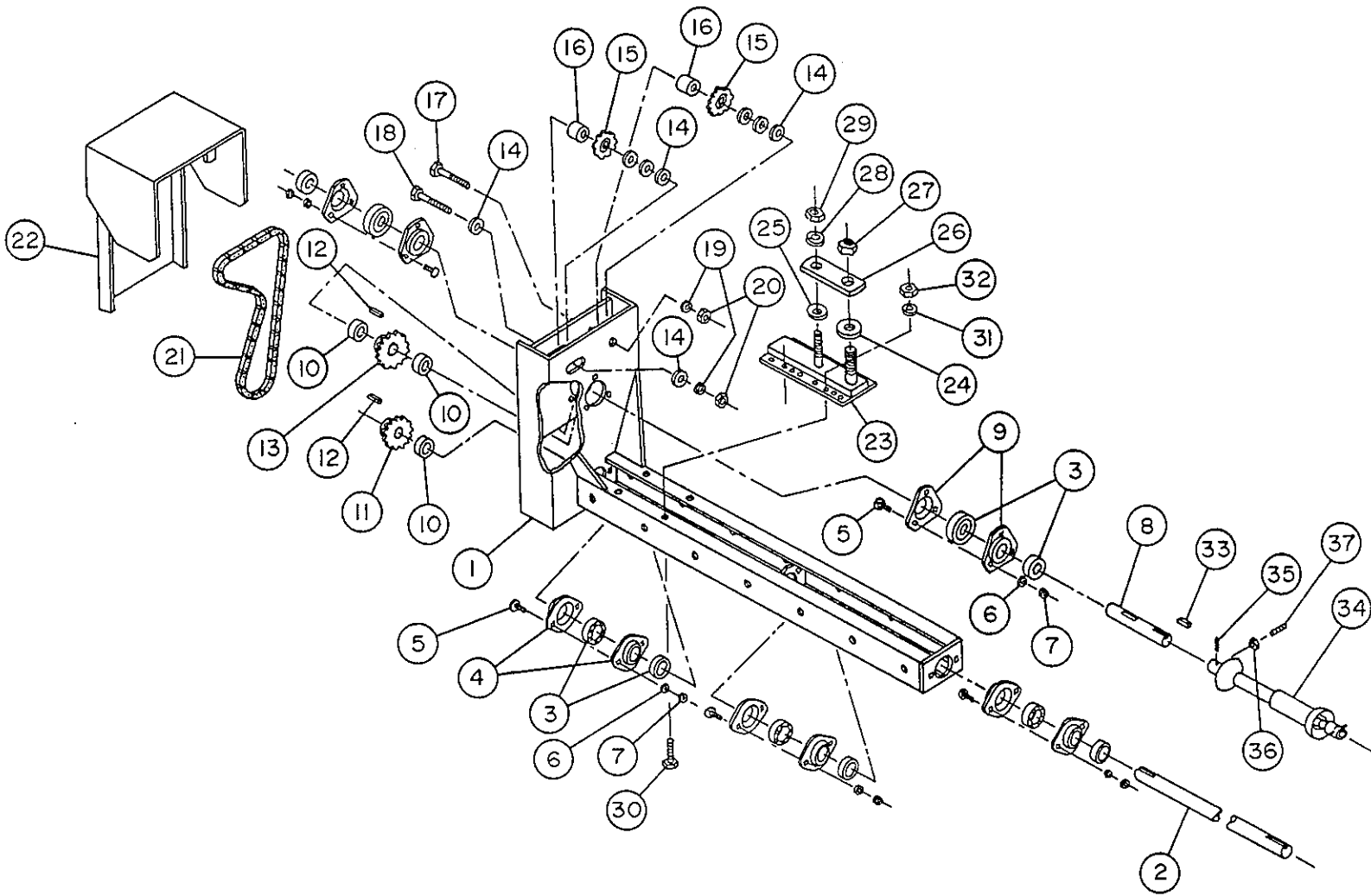


WORM GEAR BOX

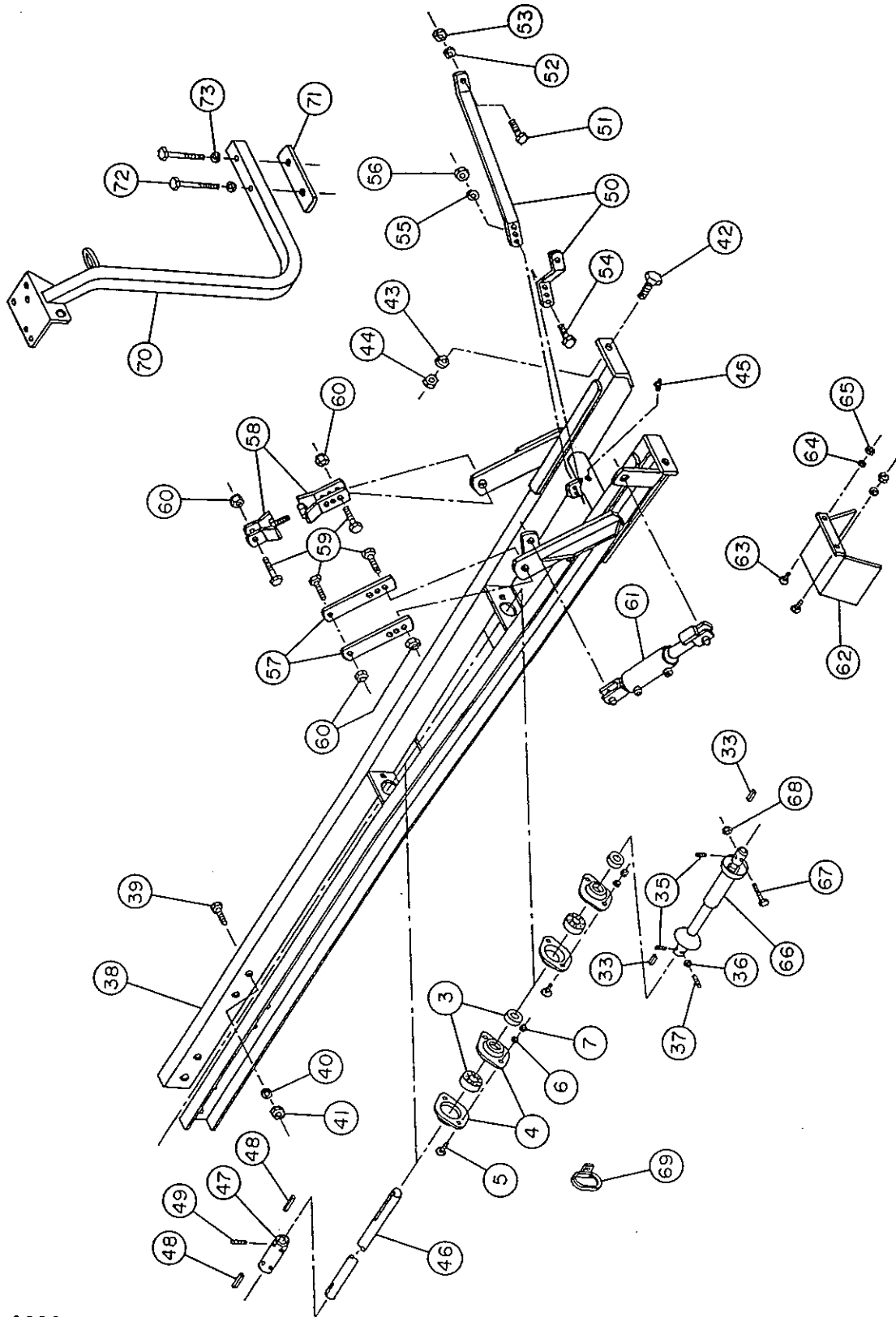
REF	DESCRIPTION	QTY	PART #
1	Housing	1	655934
2	Cover	1	655935
3	Worm & bronze gear set	1	655662
4	Plug (3/8", 18 NPT, vent)	1	654927
5	Bearing cone (15126)	2	654496
6	Bearing cone (15101)	2	654497
7	Bearing cup (15245)	4	654498
8	External retaining ring	1	654499
9	Internal retaining ring	4	654500
10	Set screw (1/4" NF x 3/8")	1	654501
11	Cap screw (3/8" NC x 3/4")	4	654502
12	Input shaft	1	654718
13	Output shaft	1	-----
	51" model	-	654504
	63" model	-	654505
14	Key (18-809, hard, woodruff)	1	654506
15	Key (A-807, hard, woodruff)	1	654507
16	Seal	3	654508
17	Shim (use as required)	-	654513
18	Plug (3/8", 18 NPT, level)	1	654068
19	Input cap	1	654512
20	Gasket	1	654510

* O/L = Obtain Locally

1125/1225 FRAME ASSEMBLY



1125/1225 FRAME ASSEMBLY



1125/1225 FRAME ASSEMBLY

REF	DESCRIPTION	QTY	PART #
1	Rear frame model 1125.....	1	658128
	Rear frame model 1225.....	1	658213
2	Shaft (1" dia. x 45" lg.) model 1125.....	1	658122
	Shaft (1" dia. x 57" lg.) model 1225.....	1	658214
3	Bearing with locking collar.....	7	654532
4	Bearing flange.....	10	654787
5	Bolt (5/16"NC x 3/4", carriage).....	16	O/L
6	Washer (5/16", lock).....	16	O/L
7	Nut (5/16"NC, hex.).....	16	O/L
8	Shaft (1"dia. x 6 3/8"lg.).....	1	658140
9	Bearing flange.....	4	656589
10	Spacer 15/32"lg.....	3	658120
11	Sprocket (16 teeth).....	1	654782
12	Key (1/4" x 1/4" x 1 1/4").....	2	654643
13	Sprocket (18 teeth).....	1	654781
14	Washer (11/16"dia. hole, flat).....	8	O/L
15	Sprocket (Idler CA60).....	2	654010
16	Spacer 1 1/8"lg.....	2	658119
17	Bolt (5/8" NC x 2 1/2", hex.)	1	O/L
18	Bolt (5/8" NC x 4", hex.).....	1	O/L
19	Washer (5/8", lock).....	2	O/L
20	Nut (5/8" NC, hex.)	2	O/L
21	Chain (#60 x 57 links).....	1	658183
	Link (#60, connecting).....	1	654839
22	Chain box cover.....	1	658126
23	Lower drawbar attachment bracket.....	1	658124
24	Washer (15/16"dia. hole, flat).....	2	O/L
25	Washer (13/16"dia. hole, flat).....	10	O/L
26	Upper drawbar attachment bracket.....	1	654777
27	Nut (7/8"NC, nylon lock).....	1	O/L
28	Washer (3/4", lock).....	1	O/L
29	Nut (3/4", hex.).....	1	O/L
30	Bolt (1/2"NC x 1 1/2", hex.).....	4	O/L
31	Washer (1/2", lock).....	4	O/L
32	Nut (1/2"NC, hex.).....	4	O/L
33	Key (1/4" x 1/4" x 1 1/2").....	3	654732
34	P.T.O. shaft 9 1/2" O.L.....	1	657448
35	Set screw (3/8"NC x 3/8", allen).....	3	O/L
36	Nut (3/8"NC, hex.).....	2	O/L
37	Set screw (3/8"NC x 3/4", allen).....	2	O/L

* O/L = Obtain Locally

1125/1225 FRAME ASSEMBLY

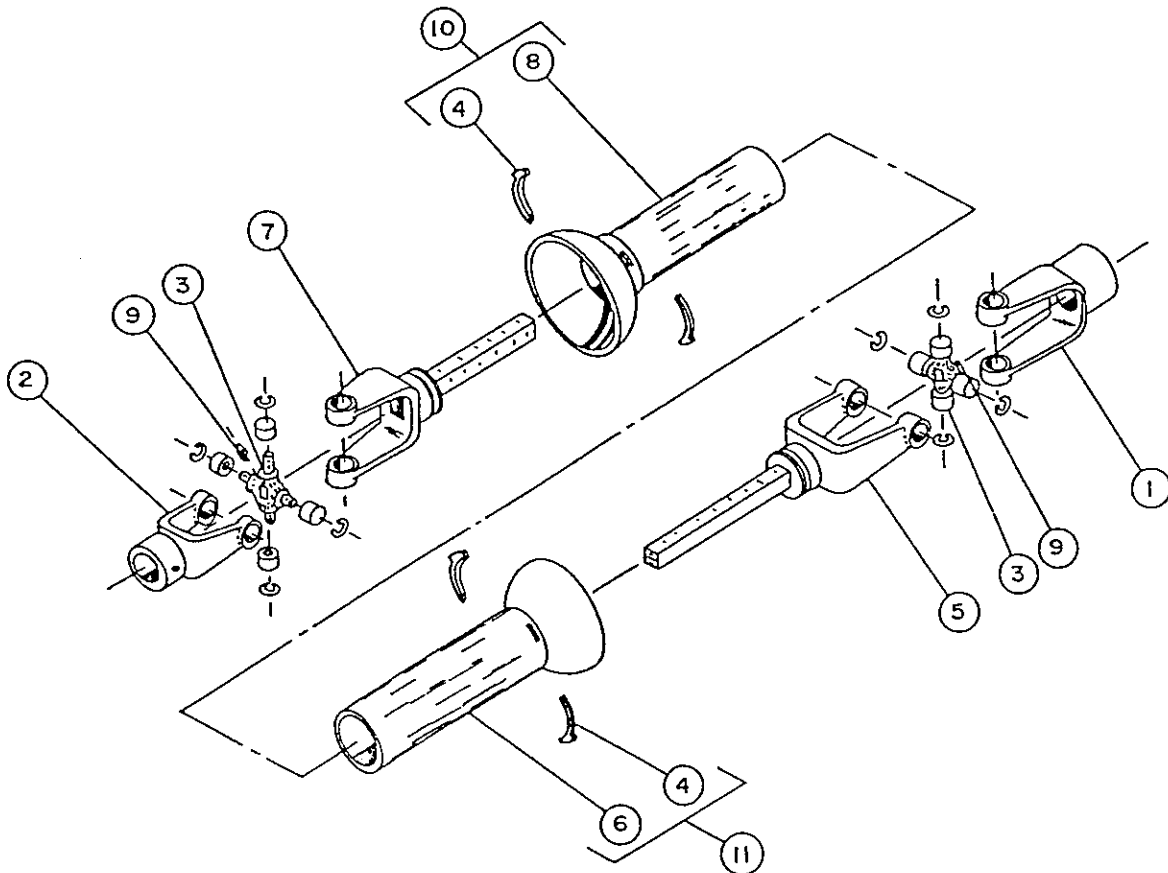
REF	DESCRIPTION	QTY	PART #
38	Front frame.....	1	658186
39	Bolt (5/8"NC x 1 1/2", hex.).....	4	O/L
40	Washer (5/8", lock).....	4	O/L
41	Nut (5/8"NC, hex.).....	4	O/L
42	Bolt (3/4"NC x 2" < hex.).....	2	O/L
43	Washer (3/4", lock).....	2	O/L
44	Nut (3/4"NC, hex.).....	2	O/L
45	Grease fitting 1/4" NF.....	1	654106
46	Shaft (1"dia. x 56"lg.).....	1	658123
47	Sleeve.....	1	658125
48	Key (1/4" x 1/4" x 2").....	2	658188
49	Set screw (5/16"NC x 5/16", allen).....	4	O/L
50	Hitch.....	1	654779
51	Bolt (5/8"NC x 1 1/2", hex.).....	2	O/L
52	Washer (5/8", lock).....	2	O/L
53	Nut (5/8"NC, hex.).....	2	O/L
54	Bolt (1/2" NC x 2 ", hex.).....	1	O/L
55	Washer (1/2", lock).....	1	O/L
56	Nut (1/2"NC, hex.).....	1	O/L
57	Upper attachment bracket.....	2	654775
58	Turnbuckle.....	1	655434
59	Bolt (5/8"NC x 2", hex.).....	4	O/L
60	Nut (5/8"NC, nylon lock).....	4	O/L
61	Cylinder.....	1	658295
62	P.T.O. guard.....	1	655028
63	Bolt (5/16"NC x 3/4", carriage).....	2	O/L
64	Washer (5/16", lock).....	2	O/L
65	Nut (5/16"NC, hex.).....	2	O/L
66	P.T.O. shaft 28" O.L.....	1	657447
67	Bolt (5/16"NC x 2 3/4", hex.).....	1	O/L
68	Nut (5/16"NC, nylon lock).....	1	O/L
69	Hose guard.....	1	655188
70	Handle support bracket.....	1	658127
71	Fixation support.....	1	654785
72	Bolt (1/2"NC x 5 1/2", hex.).....	2	O/L
73	Washer (1/2", lock).....	2	O/L

* O/L = Obtain Locally

P.T.O. DRIVE SHAFT (657447)

REF	DESCRIPTION	QTY	PART #
	P.T.O. Drive shaft assembly (28"OL).....	1	657447
1	Yoke	1	654993
2	Yoke.....	1	654719
3	Cross bearing kit	2	654720
4	Shield nylon retainer.....	4	657432
5	Yoke and male shaft assembly.....	5	654722
6	Outer shield.....	1	657433
7	Yoke and female shaft assembly.....	1	654721
8	Inner shield.....	1	657434
9	Grease fitting.....	2	654106
10	Inner shield with shield nylon retainer.....	1	657435
11	Outer shield with shield nylon retainer.....	1	657436

* O/L = Obtain Locally



P.T.O. DRIVE SHAFT (657448)

REF	DESCRIPTION	QTY	PART #
	P.T.O. Drive shaft assembly (16 1/2" OL) 1.	1	657447
1	Quick disconnect yoke.....	1	654723
2	Yoke stopper kit.....	1	655014
3	Cross bearing kit	2	654720
4	Shield nylon retainer.....	4	657432
5	Yoke and male shaft assembly.....	5	655343
6	Outer shield.....	1	657449
7	Yoke and female shaft assembly.....	1	655345
8	Inner shield.....	1	657450
9	Yoke.....	1	654719
10	Grease fitting.....	2	654106
10	Outer shield with shield nylon retainer.....	1	657451
11	Inner shield with shield nylon retainer.....	1	657452

* O/L = Obtain Locally

