

APPLICATION

The FOR0002 kit is designed to fit the following log trailers:
LT-50, LT-60, LT-70, LT-70A, LT-80 et LT-80A.

INSTALLATION

1. **Figure 1:** Place the step plate (item 4) on the front part of the trailer's main tube as shown on the figure.
2. **Figure 1:** Fasten to the support bar (item 5) with the **proper bolts** (see below), the 7/16" (item 3) flat washers and the 1/2"NC nylon insert locknuts (item 6). **DO NOT TIGHTEN THE BOLTS.**
3. **Figure 2:** Push the step plate up the main tube until it's 1" from the trailer's parking stand as illustrated on the figure. Make sure the bolts are as close as possible to the main tube. Tighten all bolts at 88 ft-lbs (119 N-M).

CHOICE OF BOLTS:

LT-50 = Bolt. hex. 1/2"NC x 5 1/2" lg

LT-60..... = Bolt. hex. 1/2"NC x 6 1/2" lg

LT-70/70A, LT-80/80A...= Bolt. hex. 1/2"NC x 7 1/2" lg

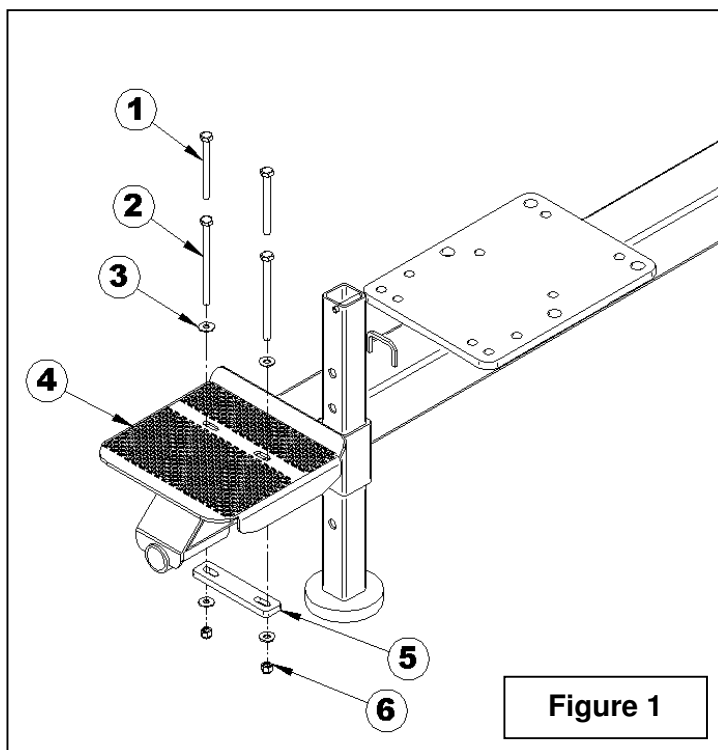


Figure 1

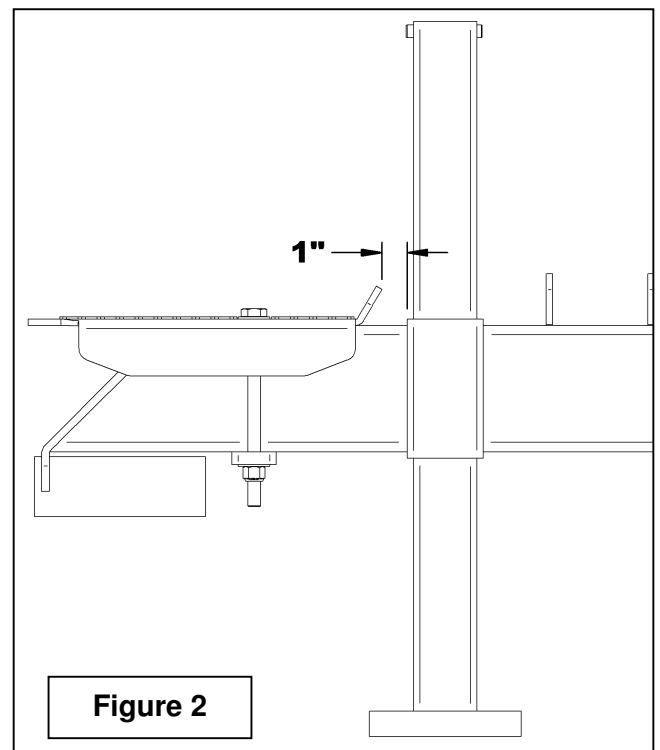


Figure 2

PARTS

REF.	DESCRIPTION	QTY	PART #
1	Bolt hex. 1/2" X 5 1/2" NC, PTD gr. 5	2	0100083
2	Bolt hex. 1/2" X 6 1/2" NC, PTD gr. 5	2	0100171
3	Bolt hex. 1/2" X 7 1/2" NC, PTD gr. 5	2	0100085
4	Flat washer $\varnothing 7/16"$ (1/2" int.) PTD	4	O/L
5	Step plate	1	130069
6	Support Bar	1	130071
7	Nylon insert lock nut 1/2" NC, PTD	2	O/L

