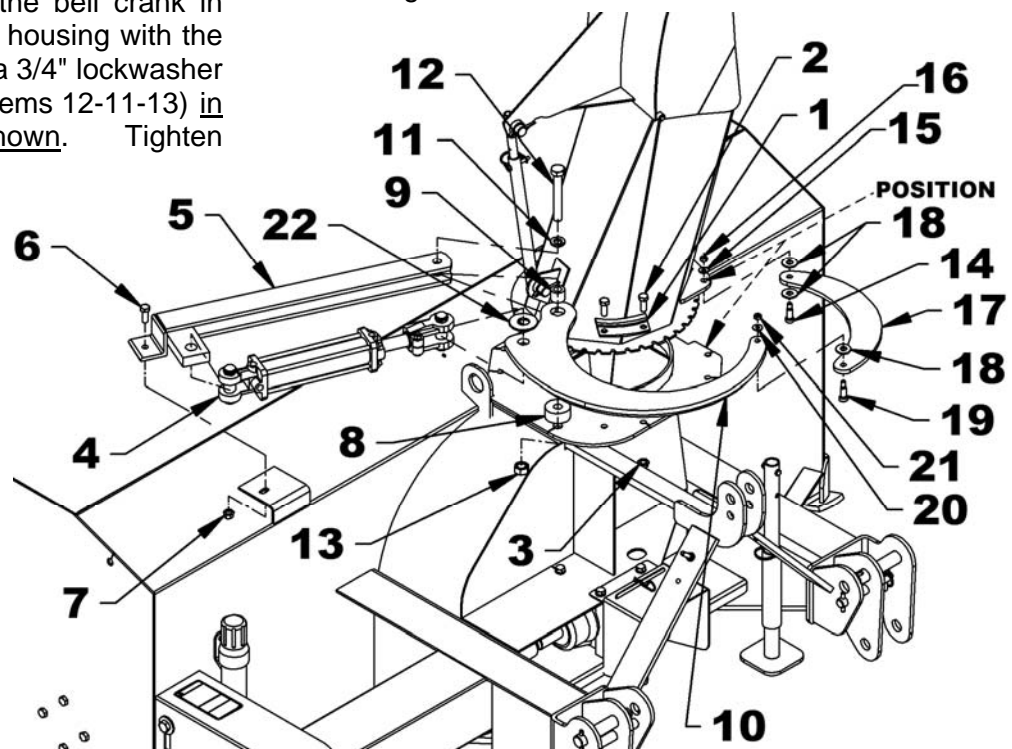


APPLICATION: B84A & B94A 3 Point Snowblowers
INSTALLATION

1. **Figure 1:** Place the hole identified "POSITION" over the indentation in the housing.
 2. **Figure 1:** Apply grease on the chute base and around the snowblower chute ring and install the chute with the four retaining plates (item 1), eight 1/4" x 3/4" bolts and eight serrated flange nuts (items 2-3). Do not tighten immediately.
 3. **Figure 1:** Attach the rotation bracket (item 5) in the slot on the left side of the housing with a 1/2"NC x 1 1/4" hex bolt and a 1/2" serrated flange nut (items 6-7).
 4. **Figure 1:** Place the spacer ring (item 8) on the 13/16" hole of the housing; insert the pivot bushing (item 9) in the bell crank (item 10) and slide the bell crank between the flat bars of the rotation bracket (item 5).
 5. **Figure 1:** Attach the other end of the rotation bracket and the bell crank in the 13/16" hole of the housing with the 3/4"NC x 5" hex bolt, a 3/4" lockwasher and a 3/4" hex nut (items 12-11-13) in the exact order shown. Tighten securely.
 6. **Figure 1:** Grease generously both holes of the push arm (item 17) and install one end under the flat bar welded on the base of the chute and secure with a 1/2" x 1" shoulder screw, two 9/16" hole flat washer, a 3/8" hole flat washer and a 3/8"NC stover nut (items 14-18-15-16) in the exact order shown. Tighten leaving some movement to the mechanism.
 7. **Figure 1:** Install the other end of the push arm (item 17) under the bell crank (item 10) and secure with a 1/2" x 1" shoulder screw, a 9/16" hole flat washer, a 3/8" hole flat washer and a 3/8"NC stover nut (items 19-18-20-21) in the exact order shown. Tighten leaving some movement to the mechanism.
 8. **Figure 1:** Attach the fixed section of the cylinder (item 4) to the rotation bracket (item 5) and the sliding section to the bell crank (item 10) placing a \varnothing 1 1/16" flat washer (item 22) between the cylinder yoke and the top of the bell crank then secure with the cylinder pins and the circlips. Point the hydraulic ports upward as illustrated.
- NOTE:** The 1 1/16" flat washer (item 22) is required only if the cylinder pin rubs against the snowblower housing.

Figure 1



INSTRUCTION SHEET

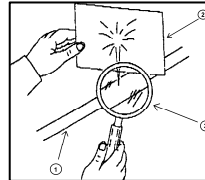
HYDRAULIC ROTATION

9. **Figure 2:** Connect the 3/8" ends of both hoses (item 2) to the cylinder (item 1) and install a quick coupler with rubber dust cap (items 6-7) at the end of each hose.

10. **Figure 2:** Secure the hoses on the three point hitch with the hose clamp, 3/8" NC x 1 1/2" lg bolt and 3/8" NC nylon insert nut (items 4-3-5) and attach hoses together with the nylon tie wraps (item 8) where needed.

⚠ WARNING: To avoid serious personal injury. Escaping hydraulic/ diesel fluid under pressure can penetrate the skin causing serious injury.

- Do not use your hands to check for leaks. Use a piece of cardboard or paper to search for leaks.

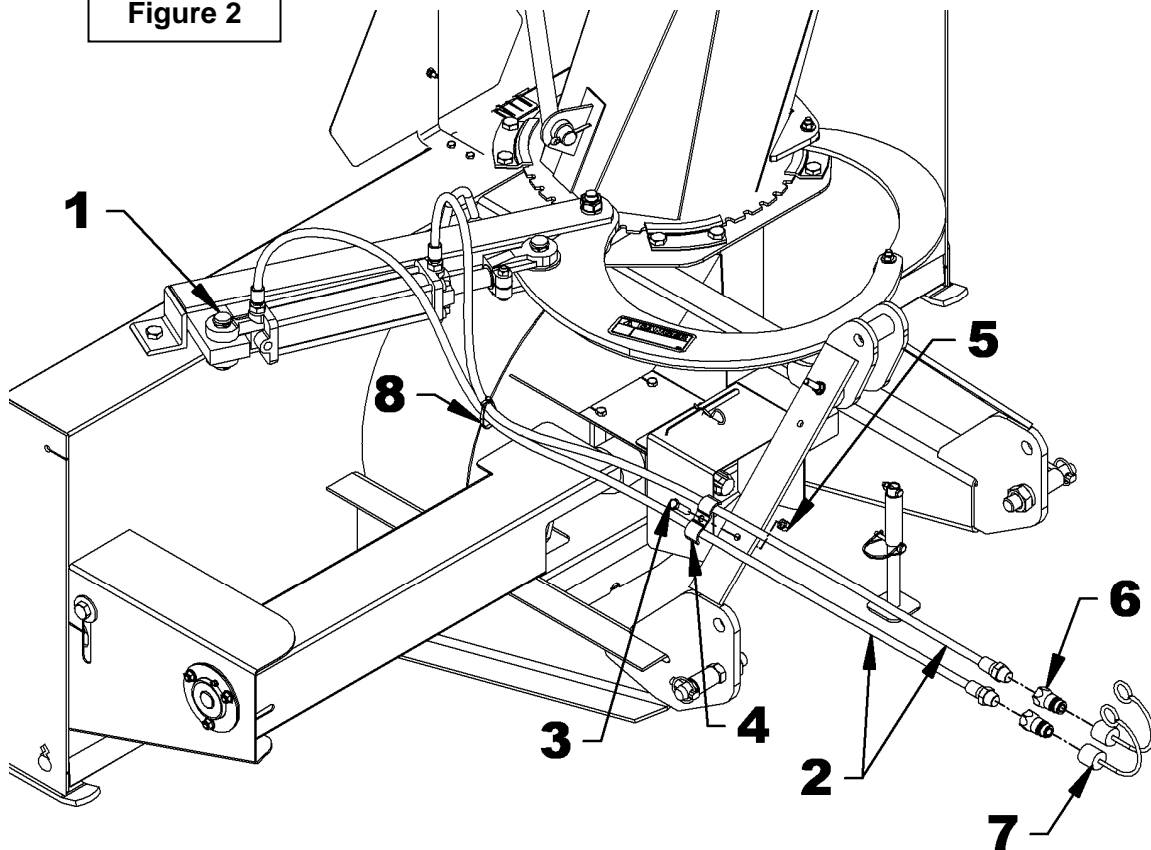


- (1) Hydraulic hose
- (2) Cardboard
- (3) Magnifying glass

- Stop engine and relieve pressure before connecting or disconnecting lines.
- Tighten all connections before starting engine or pressurizing lines.

If any fluid is injected into the skin, obtain medical attention immediately or gangrene may result

Figure 2



INSTRUCTION SHEET

HYDRAULIC ROTATION

PARTS

O/L= Obtain Locally

REF.	DESCRIPTION	QTY	PART #
1	Rotation bracket	1	664475
2	Bell crank	1	664473
3	Push arm	1	664474
4	Flat washer 1" (1 1/16" hole) PTD	1	1400013
5	Spacer ring	1	664477
6	Pivot bushing	1	664476
7	Bolt hex. 3/4"NC x 5", gr. 5 PTD	1	O/L
8	Bolt hex. 1/2"NC x 1 1/4", gr. 5 PTD	1	O/L
9	Tie wraps 8" x 4.8 mm	3	O/L
10	Shoulder screw 1/2" x 1" lg 3/8"NC	2	664578
11	Nut hex. 3/4" NC PTD	1	O/L
12	Nut serrated flange 1/2"NC PTD	1	O/L
13	Stover nut hex 3/8"NC PTD	2	O/L
14	Lockwasher 3/4" PTD	1	O/L
15	Flat washer 5/16" (3/8" hole) PTD	2	O/L
16	Flat washer 1/2" (9/16" hole) PTD	3	O/L
17	Decal "Danger"	1	664548
18	Bolt hex. 3/8" NC x 1 1/2", gr. 5 PTD	1	O/L
19	Hose clamp	1	666583
20	Nut nylon insert 3/8 NC PTD	1	O/L
21	Hose 3/8" x 92" lg 3/8"NPT M x 1/2"NPT M	2	3700143
22	Quick coupler 1/2-14 NPT male	2	656480
23	Dust cap for male quick coupler	2	664898
24	Cylinder 2" X 8" inc. pins	1	3900022
	- Seal kit	1	3900205

