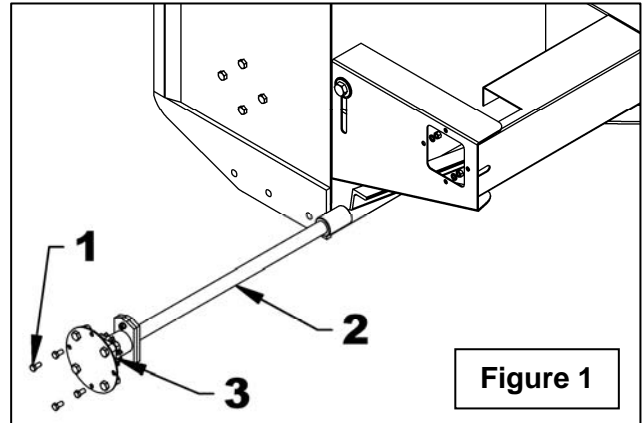


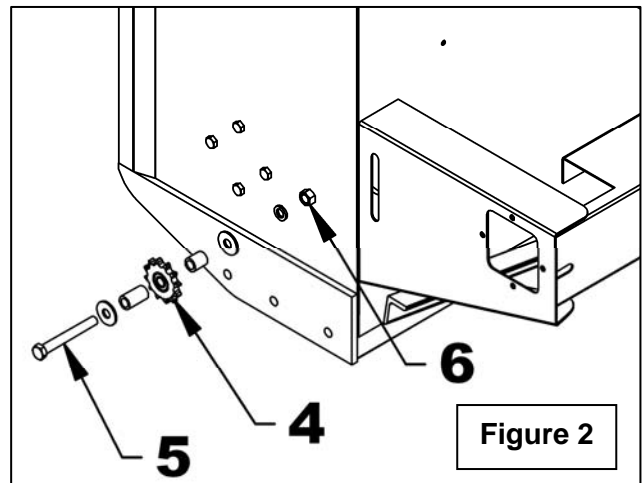
APPLICATION: B84A, B94A snowblowers

INSTALLATION

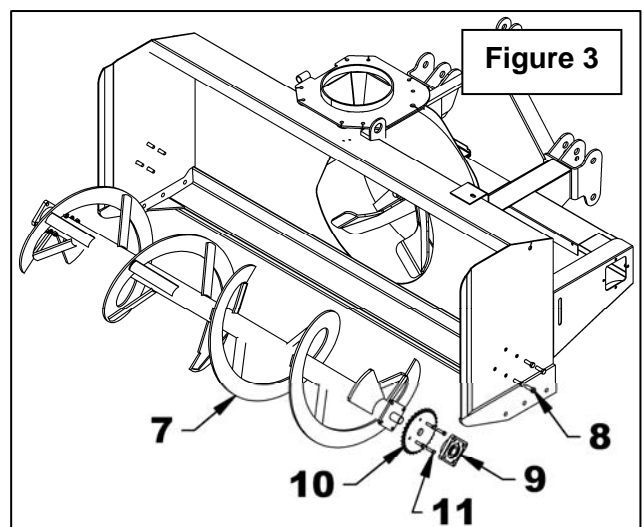
1. Loosen the idler bolt. Remove the chain taking care to remember its course and the orientation of the coupling link lock.
2. **Figure 1:** Remove the drive shaft (item 2) by unscrewing the four bolts (items 1) and nuts. Loosen the bearing setscrews (item 3) to free the drive shaft from the bearing.



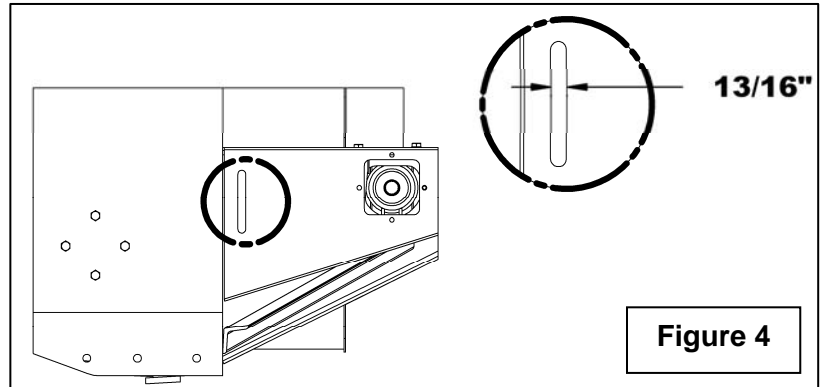
3. **Figure 2:** Remove the idler (item 4) by unscrewing the nut (item 6) of the bolt (item 5).



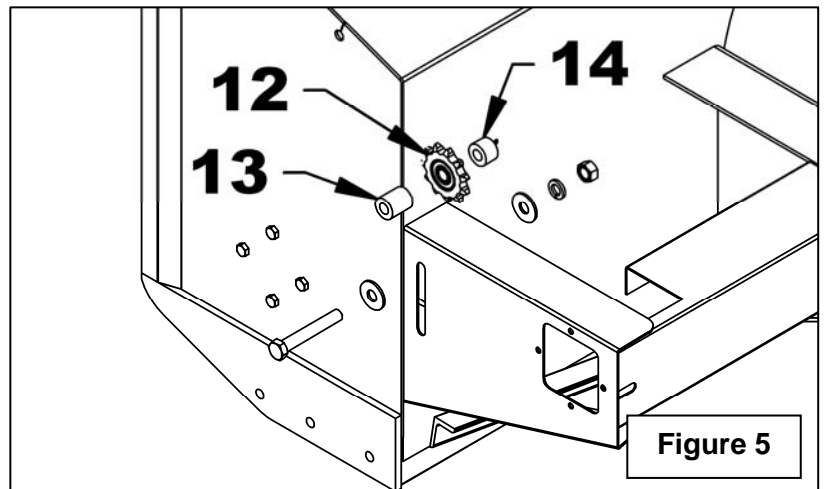
4. **Figure 3:** Remove the auger (item 7) by unscrewing the eight bolts (item 8), remove the bearing (item 9) by unscrewing the setscrews. Replace the sprocket (item 10) on the auger with the new sprocket by unscrewing the four bolts (item 11). Reinstall the new sprocket and reinstall the auger in the snowblower.



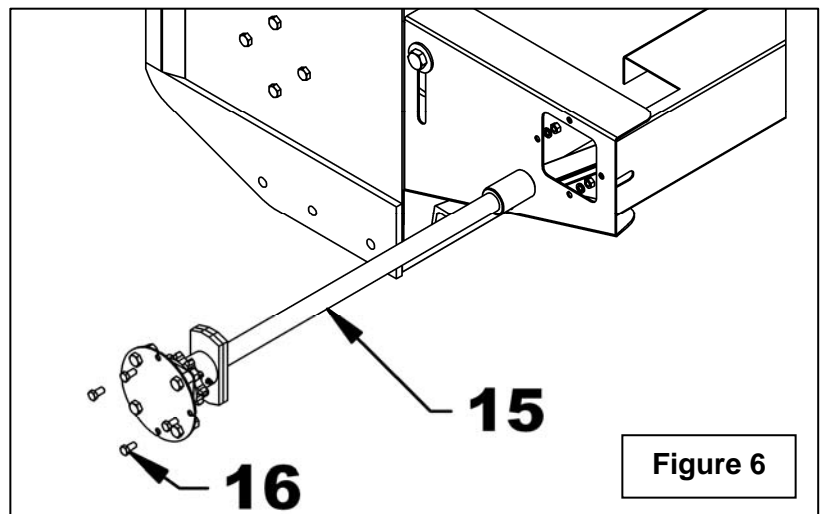
5. **Figure 4:** Enlarge the oblong holes to 13/16" on the outside plate and on the inside plate, to receive the sprocket.



6. **Figure 5:** Install the new idler sprocket (item 12) with the new bolt, flat washers, spacers, lockwasher and nut, making sure to place the 1 3/4" lg spacer (item 13) toward the outside and the 1.024" lg spacer (item 14) toward the inside. Tighten slightly to hold up the idler in the oblong hole.



7. **Figure 6:** Reinstall the new drive shaft (item 15) by pushing it against the bearing and tighten the bearing setscrew. Slide the drive shaft on the gearbox shaft and secure with the four bolts (item 16).



8. Install the new chain and adjust the chain idler.

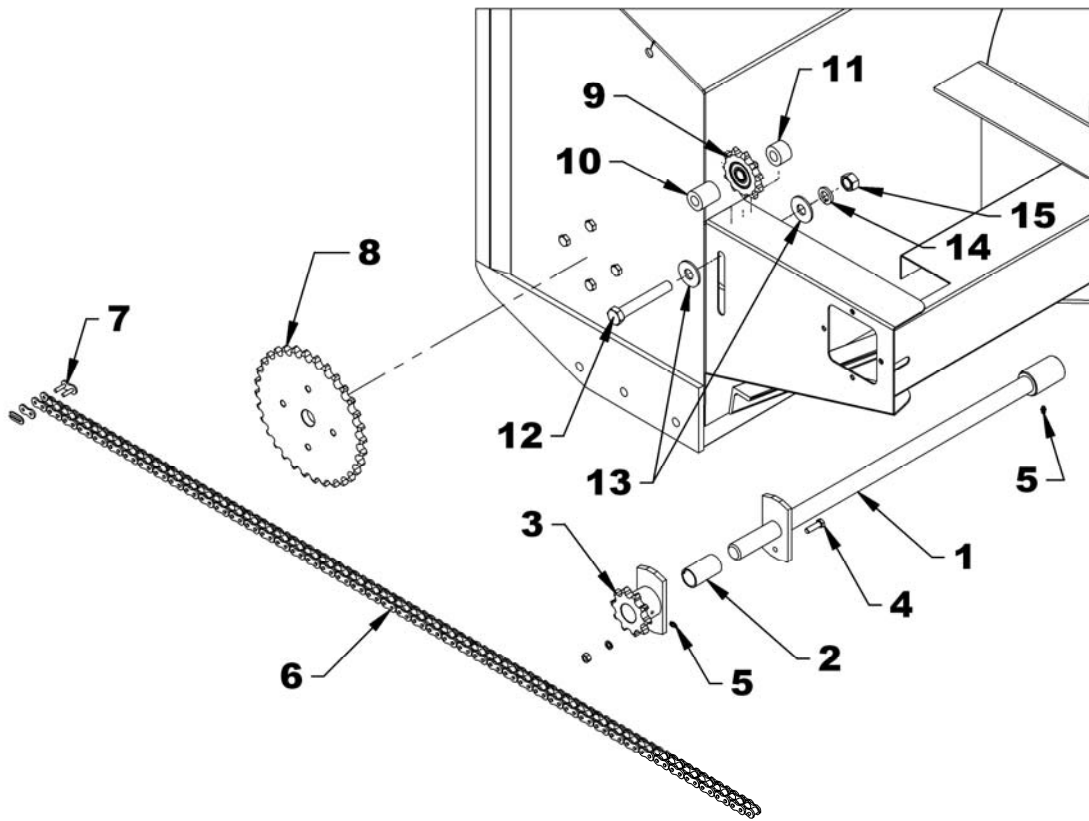
BER0081 (84") - BER0082 (94")

INSTRUCTION SHEET

UPDATE KIT FOR 84"-94" DRIVE SHAFT

PARTS

REF.	DESCRIPTION	QTY	PART #	
			B84A	B94A
1	Drive shaft	1	669873	669877
2	Oilite bushing 1 1/2" lg. Bronze	1	4300072	4300072
3	Shear plate	1	668030	668030
4	Shear bolt 3/8" NC x 1 1/4", lock & nut PTD	1	668029	668029
5	Grease fitting 1/4"NF	1	654106	654106
6	Chain #80 x 74 links (incl. connecting link)	1	3300039	3300039
7	- connecting link #80	1	655549	655549
8	Sprocket 1 1/4"	1	3300043	3300043
9	Idler sprocket	1	654756	654756
10	Spacer 1 3/4" lg	1	667900	667900
11	Spacer 1.024" lg	1	669875	669875
12	Bolt hex. 3/4"NC x 5" lg, gr. 5, PTD	1	0100126	0100126
13	Flat washer 3/4" (13/16" hole) PTD	2	1400010	1400010
14	Lockwasher 3/4" PTD	1	1200008	1200008
15	Nut hex 3/4"NC, PTD	1	0900008	0900008





BER0081 (84") - BER0082 (94")

INSTRUCTION SHEET

UPDATE KIT FOR 84"-94" DRIVE SHAFT

EMPTY