

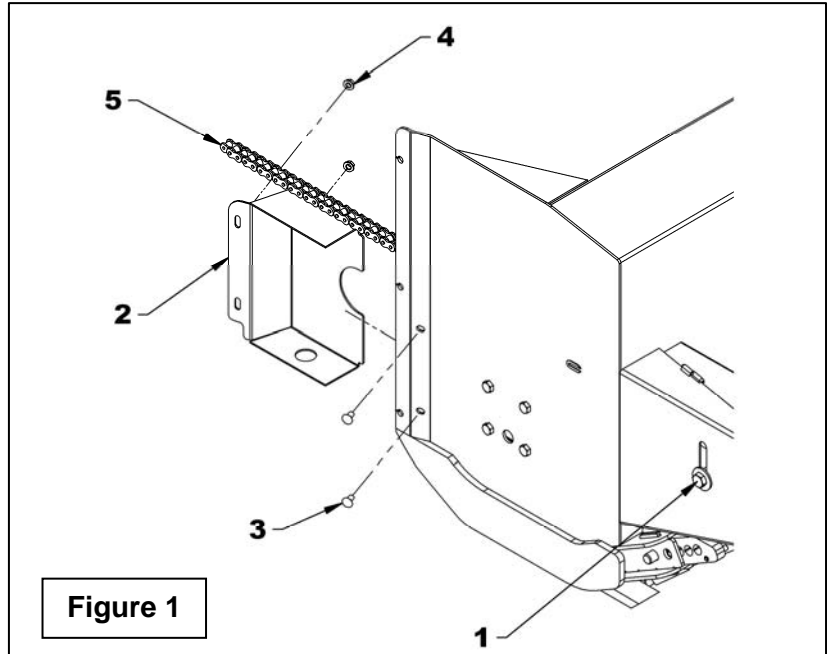
INSTRUCTION SHEET

BER0071 (74") - BER0072 (80") UPDATE KIT FOR 74"-80" DRIVE SHAFT

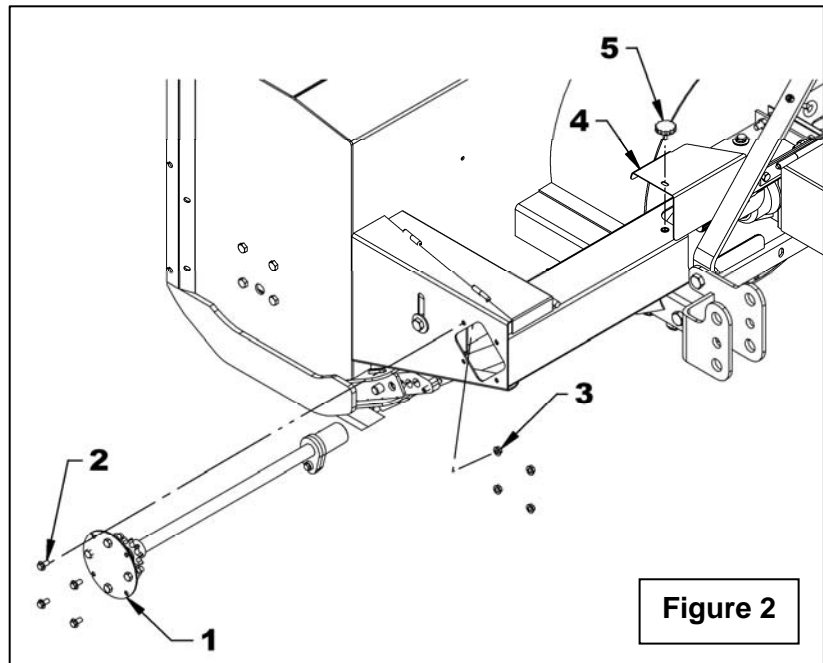
APPLICATION: SA74-L, SA80-L snowblowers

INSTALLATION

1. **Figure 1:** Loosen the idler bolt (item 1) and detach the idler spring. Remove the front guard (item 2) by removing the two bolts and nuts (items 3-4). Remove the chain (item 4), taking care to remember its course and the orientation of the coupling link lock.



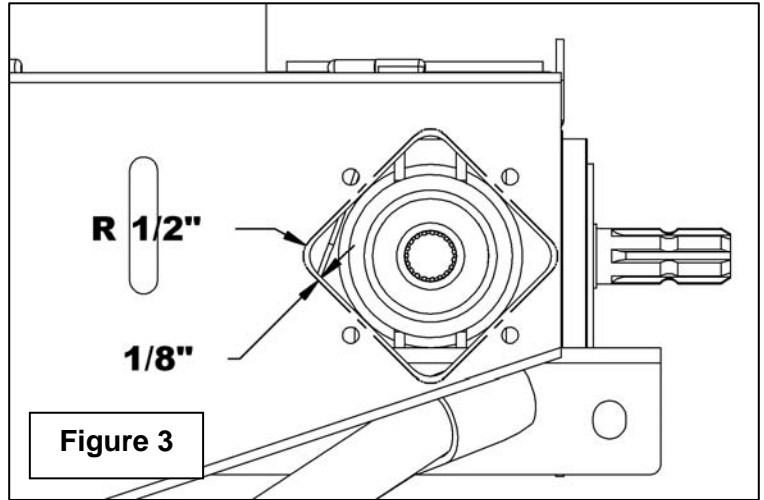
2. **Figure 2:** Remove the rear guard (item 4) by unscrewing the knob (item 5). Remove the drive shaft (item 1) by unscrewing the four bolts and nuts (items 2-3). Keep this hardware for further use.



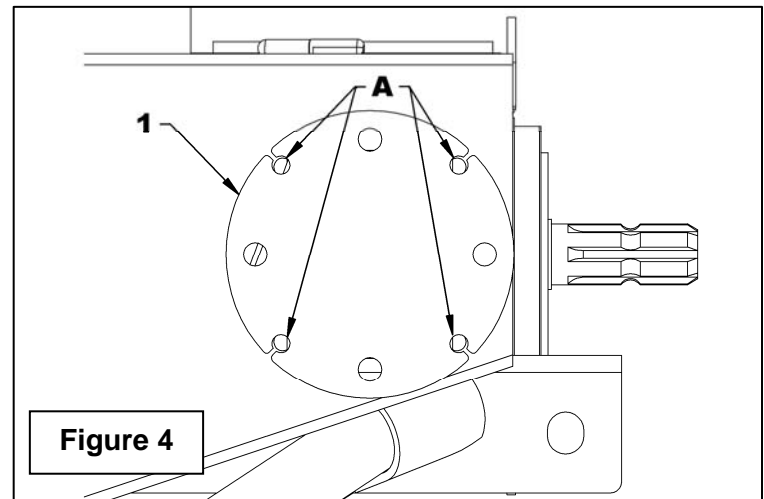
INSTRUCTION SHEET

BER0071 (74") - BER0072 (80") UPDATE KIT FOR 74"-80" DRIVE SHAFT

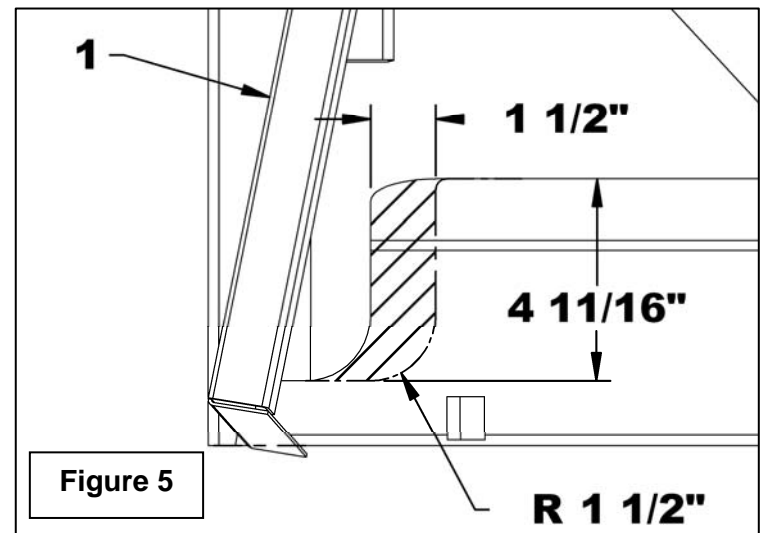
3. **Figure 3:** Enlarge of 1/8" on the four sides of the existing square hole and remake rounding of 1/2" radius to the four corners.



4. **Figure 4:** Place the new driving shaft support plate (item 1) to the same position than previously by aligning the four frame holes. With a tracing point, mark the material to be removed. Remove the plate and enlarge the "A" holes from the outside.



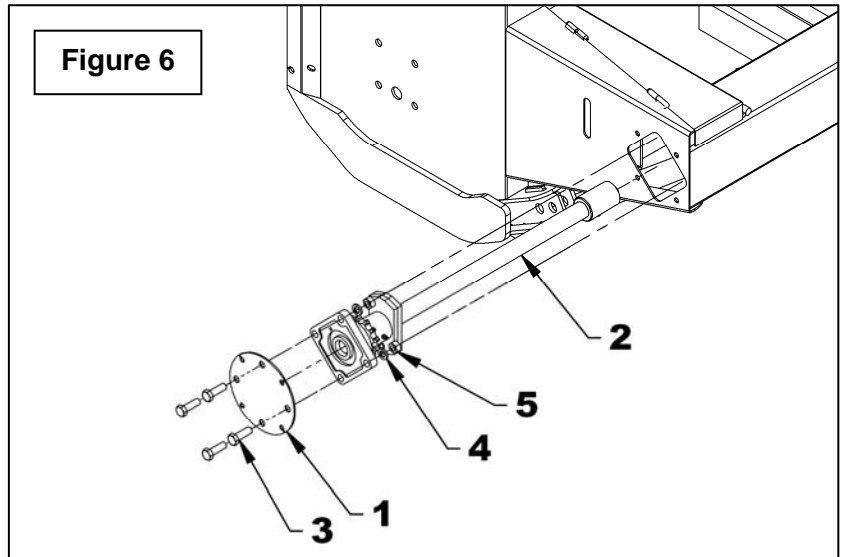
5. **Figure 5:** Open the rear cover (item 1) and draw lines in the dimensions of the hatched part on the fig.5. Cut the draw part and break the sharp corners with a file to avoid possible injury.



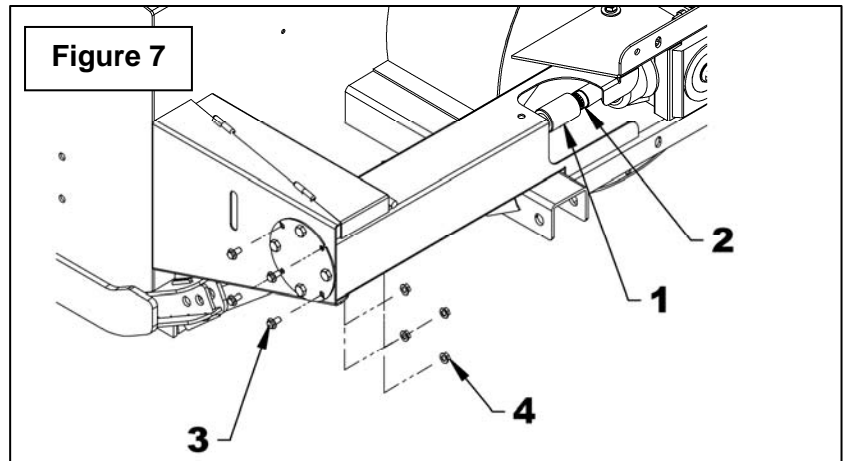
INSTRUCTION SHEET

BER0071 (74") - BER0072 (80") UPDATE KIT FOR 74"-80" DRIVE SHAFT

6. **Figure 6:** Assemble the plate (item 1) to the bearing and driving shaft already pre-assembled (item 2) with four 1/2"NC x 1 1/2" bolts, 1/2" lockwashers and hex nuts (items 3-4-5) then install on the snowblower.

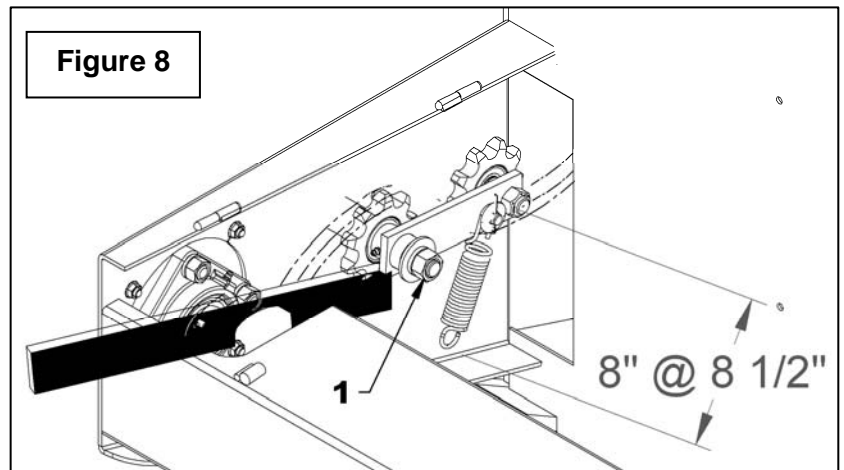


7. **Figure 7:** Install the pre-assembled plate (item 1) aligning it with the splined shaft of the gearbox and secure with the four serrated flange bolt 3/8" NC x 3/4" lg. and nuts taken off on figure 2. Tighten to 20 lbs-ft (27 N-M). Reinstall the rear guard.



8. **Figure 8:** Install the new chain and secure with the opening of the coupling link oriented in the opposite direction of the rotation. Reinstall the front guard.

9. **Figure 8:** Attach the spring and with a lever under the idler near the driving pinion as shown, lift the idler until the overall spring length is no more than 8 1/2". Tighten the nut (item 1) to 230 lbs-ft (312 N-M)



INSTRUCTION SHEET

BER0071 (74") - BER0072 (80") UPDATE KIT FOR 74"-80" DRIVE SHAFT

PARTS

| REF. | DESCRIPTION | QTY | PART # | |
|------|--|-----|----------|---------|
| | | | SA74-L | SA80-L |
| 1 | Driving shaft | 1 | 669346 | 669347 |
| 2 | Shear plate | 1 | 669344 | 669344 |
| 3 | Hex. bolt 5/16" NC x 1 3/4", lock washer, nut, PTD | 1 | 669345 | 669345 |
| 4 | Oilite bushing 1 1/2" lg. | 1 | 4300072 | 4300072 |
| 5 | Spacer ring 1/8" | 1 | 669256 | 669256 |
| 6 | Bearing 1 1/4", 4 holes with 2 grease fitting | 1 | 4300001 | 4300001 |
| 7 | Driving shaft support | 1 | 669356 | 669356 |
| 8 | Hex. bolt 1/2 NC x 1 1/2", gr. 5, PTD | 1 | 0100070 | 0100070 |
| 9 | Nut, Stover 1/2" NC, PTD | 1 | 11100006 | 1100006 |
| 10 | Chain #60H x 94 links (inc. connecting link) | 1 | 655788 | 655788 |

