

INSTRUCTION SHEET

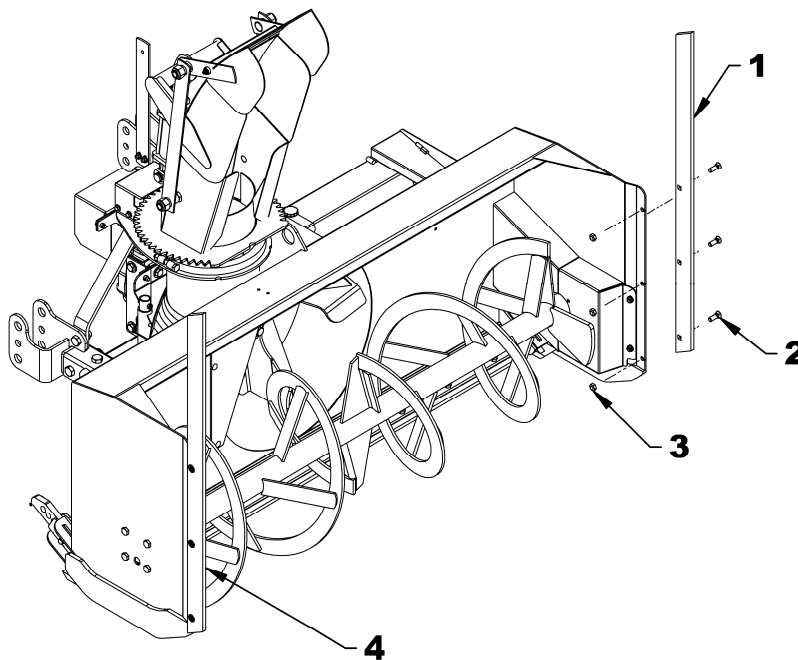
BER0048 – DRIFT CUTTERS

APPLICATION

Snowblowers: SA74L & SA80L

INSTALLATION

1. Install the right and the left drift cutters (items 1-4) with three plow bolts and stover nuts (items 2-3).



PARTS

REF.	DESCRIPTION	QTY	PART #
1	Right vertical knife	1	669043
2	Plow bolt 1/2" NC x 1 1/2" gr.5 PTD	6	O/L
3	Nut hex. 1/2" NC PTD	6	O/L
4	Left vertical knife	1	669044

O/L – Obtain Locally