

INSTRUCTION SHEET

BER0018 – THREE PART CHUTE

APPLICATION

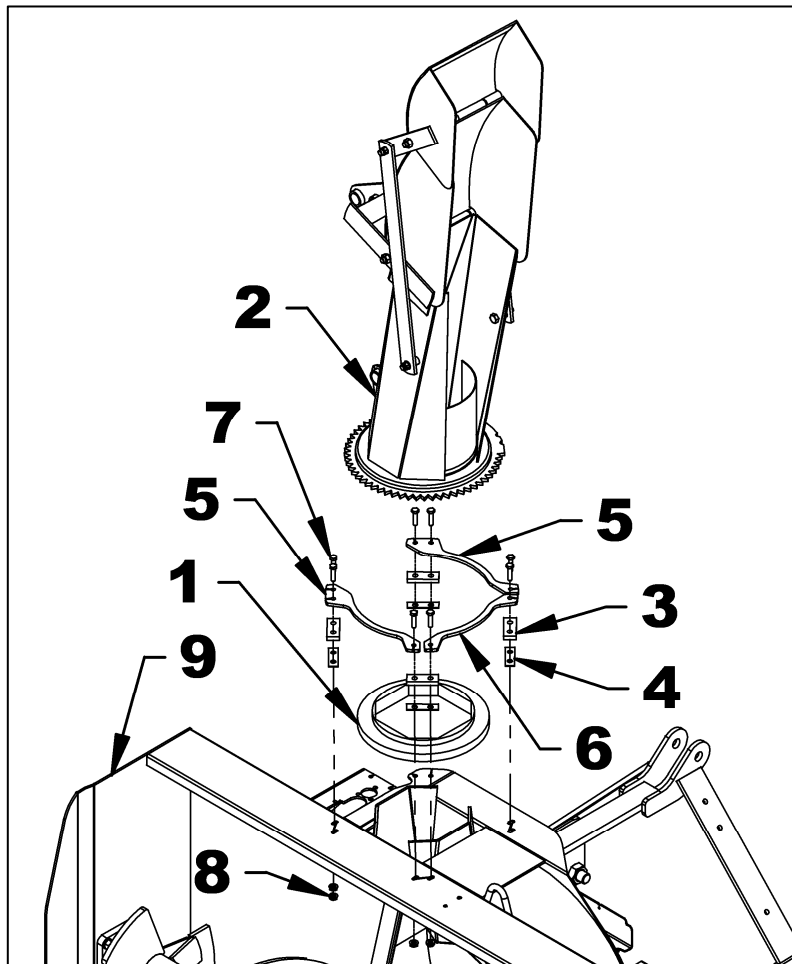
SA54 and SA64 snowblowers

INSTALLATION

NOTE: Parts and hardware mentioned for the installation of the chute are included with the snowblower.

If the chute is hard to turn manually, insert the 1/16" spacers (item 4) as illustrated to give the chute more clearance.

1. Place the rotation bushing (item 1) over the snowblower chute base (item 9).
2. Place the chute (item 2) over the rotation bushing and install the two three hole retaining plates (items 5) placing the larger sections towards the rotation plate and install the two hole retaining plate (item 6) at the end of the other two plates.
3. Insert four 3/8" spacers (item 3) under the retaining plates and secure with eight 5/16" x 1 1/4" bolts and 5/16" serrated flange nuts (items 7-8). Tighten firmly.



INSTRUCTION SHEET

BER0018 – THREE PART CHUTE

PARTS

REF.	DESCRIPTION	QTY	PART #
1	Chute base	1	668479
2	Middle deflector	1	668481
3	Upper deflector	1	666289
4	Flat bar	2	666334
5	Hinge pin 10 27/32" lg, PTD	1	666654
6	Hinge pin 11 1/4" lg, PTD	1	666454
7	Stover nut 7/16" NC, PTD	2	O/L
8	Nylon insert nut 7/16" NC, PTD	4	O/L
9	Flat washer 3/8" (7/16" int.) PTD	2	O/L
10	Bolt hex. 7/16" NC X 1 1/4", PTD	2	O/L

