

INSTRUCTION SHEET

BER0013 REDUCTION GEARBOX

APPLICATION

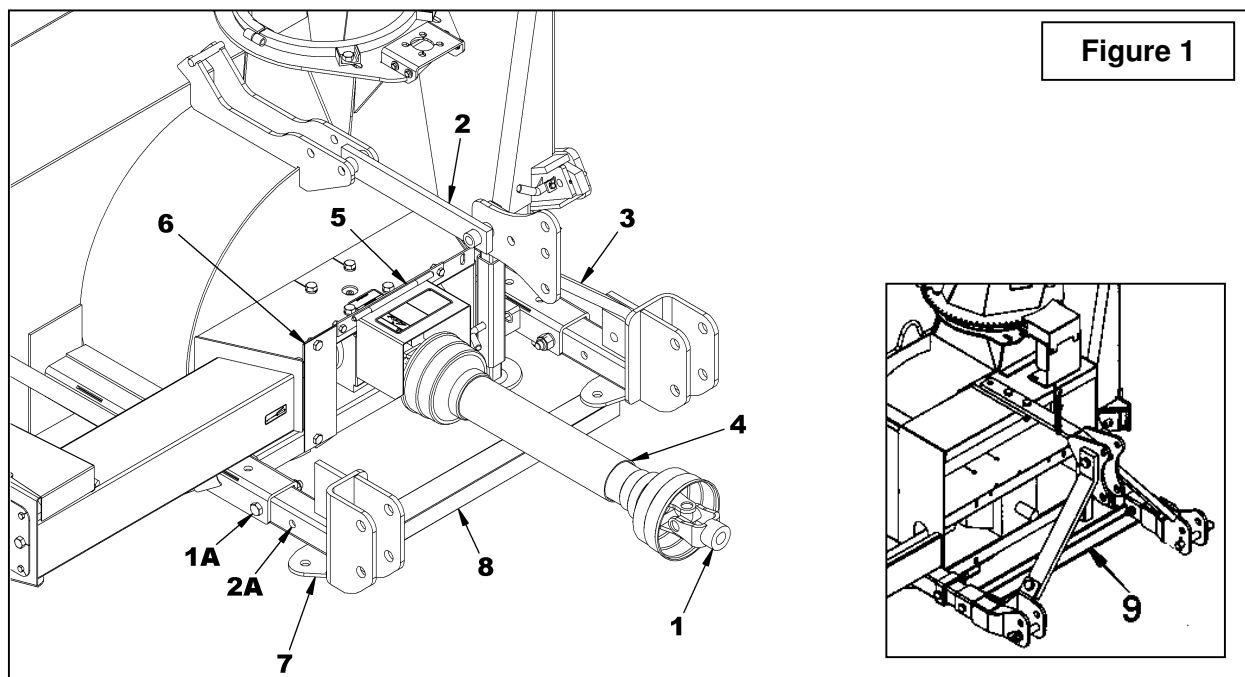
SA92, SA92TRC, SA98, SA98TRC and SA104TRC snowblowers

INSTALLATION

IMPORTANT: The reduction gearbox does not contain any oil. It must be filled with either SAE 80W90 oil, AGMA 5EP extreme pressure oil or the equivalent. If the reducer is operated without any oil the warranty will be nullified.

NOTE: Before proceeding with the installation, check the type of PTO on the tractor and if needed, order the appropriate yoke (Fig. 1, item 1) from your distributor.

1. Park the tractor on a flat surface, put in neutral, put on the parking brake, disengage the PTO, lower the snowblower to the ground, turn off the engine and remove the ignition key.
2. Remove the snowblower from the tractor.
3. **Figure 1:** To make installation easier, it is recommended to remove the upper hitch (item 2) as well as the left and right hitches (item 3).
4. **Figure 1:** Remove the driveline (item 4) from the snowblower. Remove the PTO protector (item 5).
5. **Figure 1:** On the SA92 and SA98 models, remove the rear guard (item 6), which will no longer be used.
6. **Figure 1:** Before installing the reduction gearbox make sure the right and left lower hitches (item 7) are in the 1A position as shown on the figure. Check as well that the brace (item 8) on the SA92 & SA98 is positioned in the exact position illustrated on the figure otherwise reinstall it in that position. For the TRC models, rotate the brace (item 9) 180° so the bent section faces the tractor and not the snowblower to prevent interference with the reduction gearbox.



INSTRUCTION SHEET

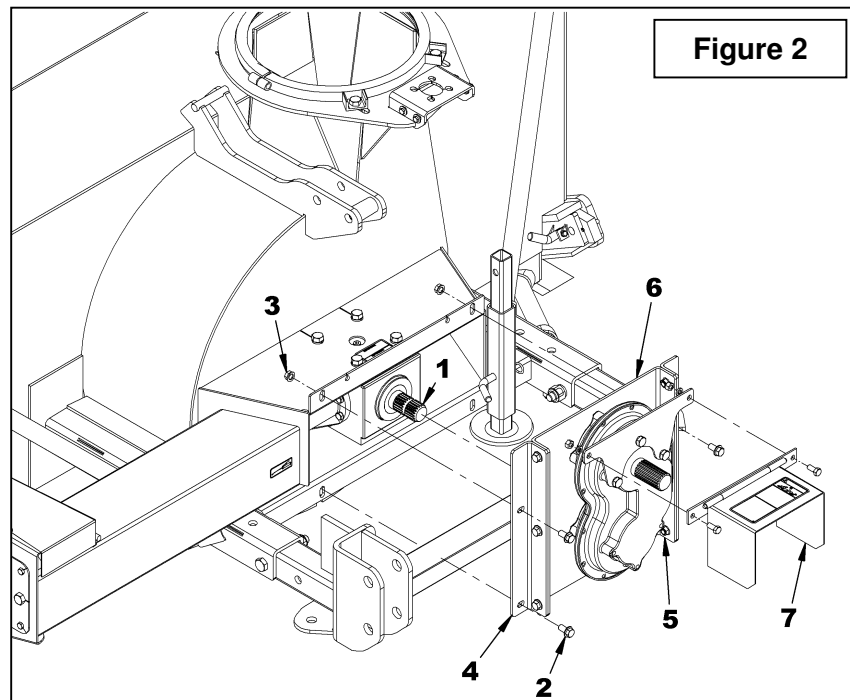
BER0013 REDUCTION GEARBOX

ATTENTION: The assembled reduction gearbox weighs more than 100 lb; it is therefore recommended to install wooden blocks under the snowblower's input shaft (item 1) to support the reduction gearbox during installation.

7. **Figure 2:** Remove the 1/2" x 1" serrated flange nuts (item 2) and the 1/2" nuts (item 3) already installed on the support brackets (item 4).
8. **Figure 2:** Slightly loosen the six 1/2" nuts (item 5) holding the brackets (item 4) to the support (item 6).
9. **Figure 2:** Install the assembled gearbox on the snowblower carefully aligning the input shaft (item 1) with the gearbox shaft.
10. **Figure 2:** Make sure that the sides of the support brackets (item 4) are as vertical as possible and secure in place with the 1/2" x 1" serrated flange nuts (item 2) and the 1/2" nuts (item 3). Tighten the bolts at 88 ft-lb or 119 N-M.
11. **Figure 2:** Push the reduction gearbox towards the front of the snowblower until it rests completely against the snowblower and tighten the six 1/2" nuts (item 5) holding the brackets (item 4) to the support (item 6). Tighten the bolts at 88 ft-lb or 119 N-M.
12. **Figure 2:** Install the PTO guard (item 7) removed at step 4 with the same bolts and nuts.
13. **Figure 1:** Install the upper hitch (item 2) as well as the left and right hitches (item 3).

IMPORTANT: Before installing the driveline, it is very important to recheck its length to ensure it is not too long. This operation is necessary since the snowblower input shaft is now closer to the tractor. Refer to the snowblower's manual for more details.

14. Replace the M12 X 65 gr. 8 driveline shearbolt by a $\varnothing 7/16$ " x 2 1/2" gr. 2.
15. Install the driveline on the snowblower.

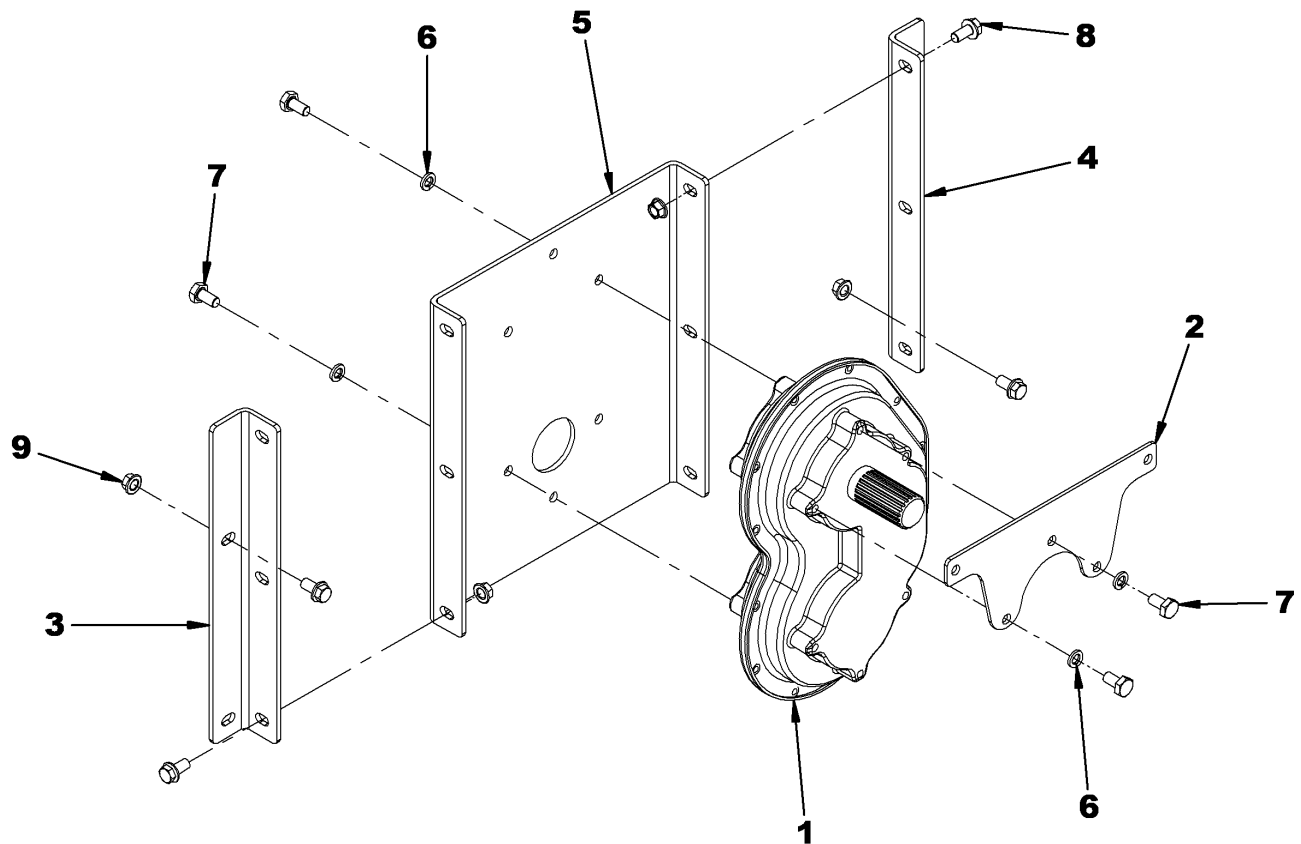


INSTRUCTION SHEET

BER0013 REDUCTION GEARBOX

PARTS

REF.	DESCRIPTION	QTY	PART#
1	Reduction gearbox 1000 @ 555 - 1 3/4" 20 splines.	1	4500088
2	Driveline shield bracket	1	668397
3	Left support bracket	1	668396
4	Right support bracket	1	668395
5	Reduction gearbox support	1	668392
6	Lockwasher 1/2" PTD	9	O/L
7	Bolt hex. 1/2" NC x 1" gr.5 PTD	9	O/L
8	Bolt serrated flange 1/2" NC x 1" gr.5 PTD	10	O/L
9	Nut serrated flange 1/2" NC PTD	10	O/L



INSTRUCTION SHEET

BER0013 REDUCTION GEARBOX

REDUCTION GEARBOX – 4500088

REF.	DESCRIPTION	QTY	PART #
1	Half casing	1	----
2	Half casing	1	----
3	Gear 28 teeth	1	4500090
4	Gear 36 teeth	1	4500091
5	Sprocket 20 dents	1	4500092
6	Adaptor	1	4500093
7	Middle shaft	1	4500094
8	Open cap	1	4500095
9	Solid cap	1	4500096
10	Key 0.75" x 2"	1	4500097
11	Roller bearing with cap - metric	5	4300077
12	Roller bearing with cap - metric	1	4300078
13	Seal	1	4300079
14	Seal	1	4300080
15	O-ring	3	4300081
16	Pin 3/8" x 1"	2	4500098
17	Bolt hex. 3/8" x 1 1/2"	12	O/L
18	Stover nut 3/8"	12	O/L
19	Bolt hex. 3/8" x 7/8"	12	O/L
20	Lockwasher 3/8"	12	O/L
21	Breather 1/8"	1	654927
22	Plug 3/8" NPT	2	661265
23	Adapter 3/8" NPT - 1/8"NPTF	1	655317

