

INSTRUCTION SHEET

BER0010 & BER0011 DUST DEFLECTORS

APPLICATION

BER0010 - 60" Rotary brooms – HB6022 & BR6022

BER0011 - 72" Rotary brooms – HB7222 & BR7222

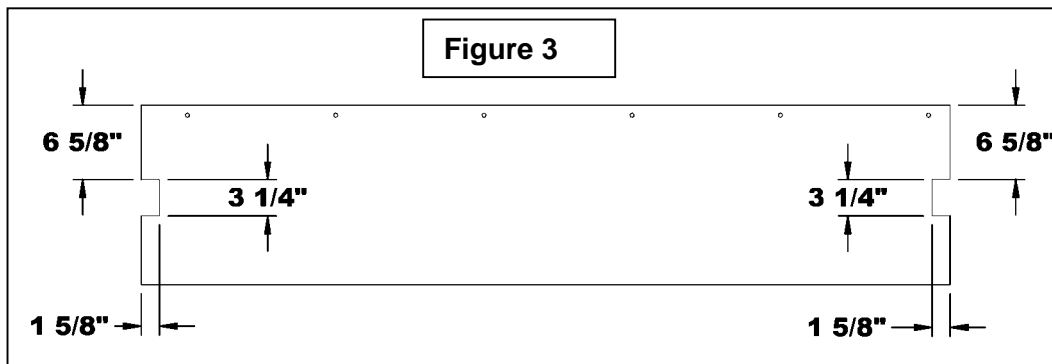
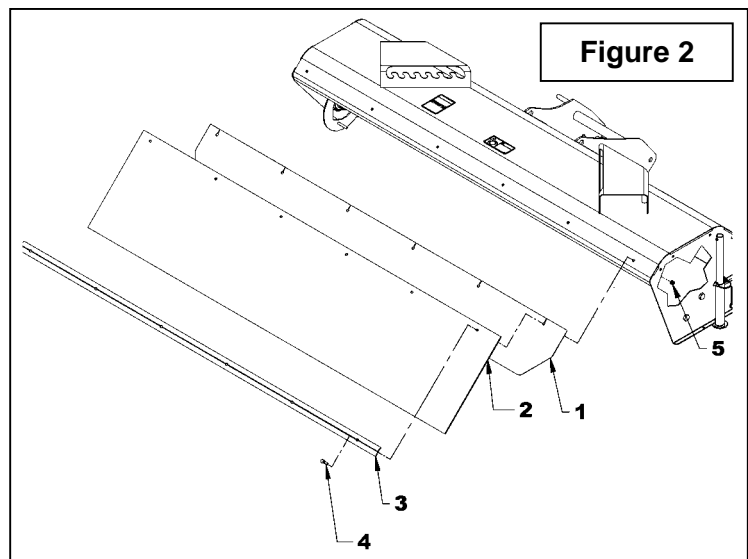
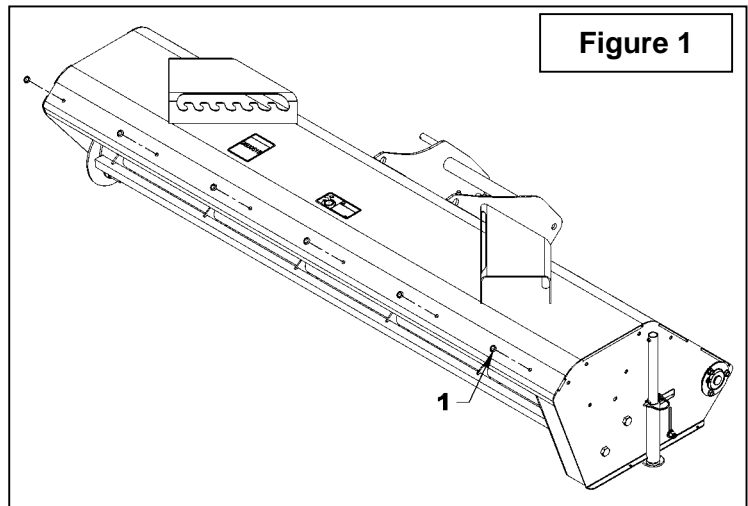
INSTALLATION

NOTE: The figures illustrate a 72" model.

1. **Figure 1:** Remove the five or six plugs (item 1) depending on the model.
2. **Figure 2:** Place in the order shown, the deflector brace (item 1), the rubber deflector (item 2) and the deflector support (item 3) on top of the housing while aligning the holes.
3. **Figure 2:** Secure all the items in place with, depending on the model, five or six 5/16" x 1 1/4" bolts (item 4) and five or six 5/16" nylon insert locknut (item 5).

Installation with the Lawn Dethatching Wheel Kit

When using the deflector with the lawn dethatching wheels, it's recommended to cut out a piece on each side of the rubber deflector as shown on figure 3 to prevent interferences.



INSTRUCTION SHEET

BER0010 & BER0011 DUST DEFLECTORS

PARTS

REF.	DESCRIPTION	QTY	PART #
BER0010	Hardware bag (not illustrated)	1	668615
1	Rubber Deflector 60"	1	667499
2	Deflector brace 60"	1	667561
3	Deflector support 60"	1	667560
4	Bolt hex. 5/16"NC x 1 1/4" lg PTD	5	O/L
5	Nut 5/16"NC nylon insert PTD	5	O/L
BER0011	Hardware bag (not illustrated)	1	668615
	Hardware bag - U.S. (not illustrated)	1	668027
1	Rubber Deflector 72"	1	667446
2	Deflector brace 72"	1	667448
3	Deflector support 72"	1	667447
4	Bolt hex. 5/16"NC x 1 1/4" lg PTD	6	O/L
5	Nut 5/16"NC nylon insert PTD	6	O/L

O/L = Obtain locally

