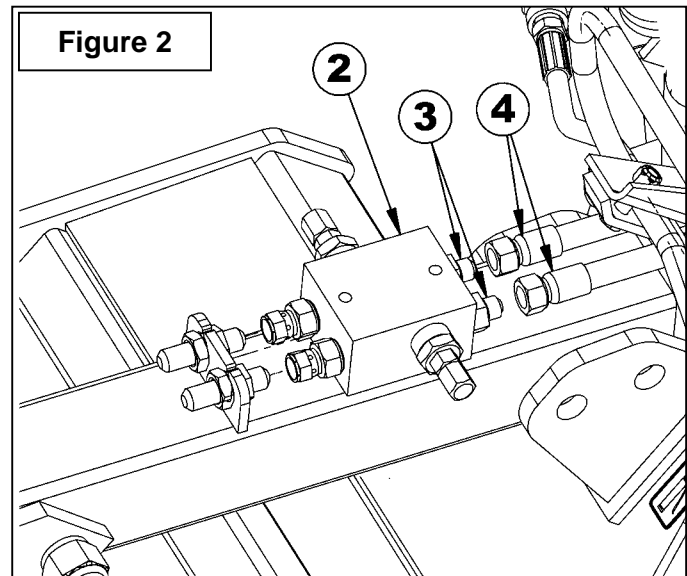
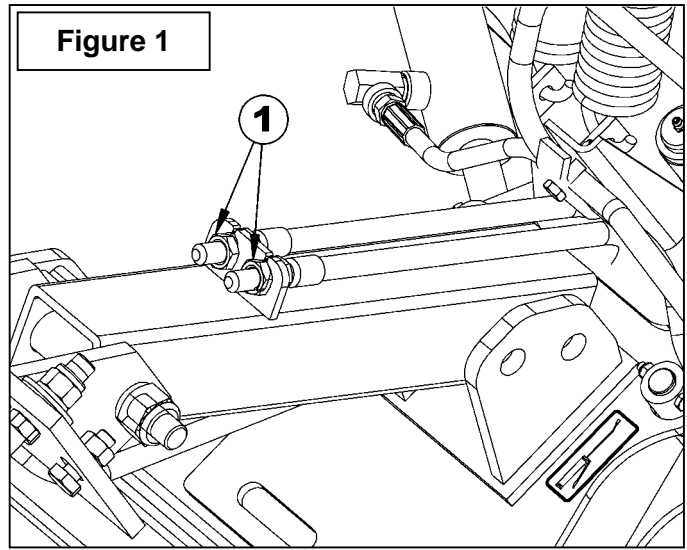




**INSTALLATION**

1. **Figure 1:** Slightly loosen the two nuts (item 1) holding the hydraulic hoses until the hoses move freely in the oblong holes.
2. **Figure 2:** Position the crossover relief valve (item 2) as illustrated on figure 2 ensuring that the 3/4" adapters (item 3) are directed toward the hydraulic hoses.
3. **Figure 2:** Secure the relief valve by slightly tightening the 3/4" adapters (item 3) on the hydraulic hoses.
4. **Figure 1-2:** Slightly push the adapters (item 4) down until the valve rests securely on the tube and tighten the screws (item 1) securely.
5. **Figure 2:** Tighten the 3/4" adapters (item 3) securely.

**Note:** Do not completely tighten one adapter at a time. Tighten each adapter a little one at a time until they are tightened securely.





# INSTRUCTION SHEET

# BER0007 – CROSSOVER RELIEF VALVE

## PARTS

REF.	DESCRIPTION	QTY	PART #
1	Crossover relief valve	1	3920003
2	Adapter 3/4 - 16 ORB male x 9/16 - 18 JIC PV	2	2600173
3	Adapter 9/16" JIC male x 3/4" ORB male	2	656146

