



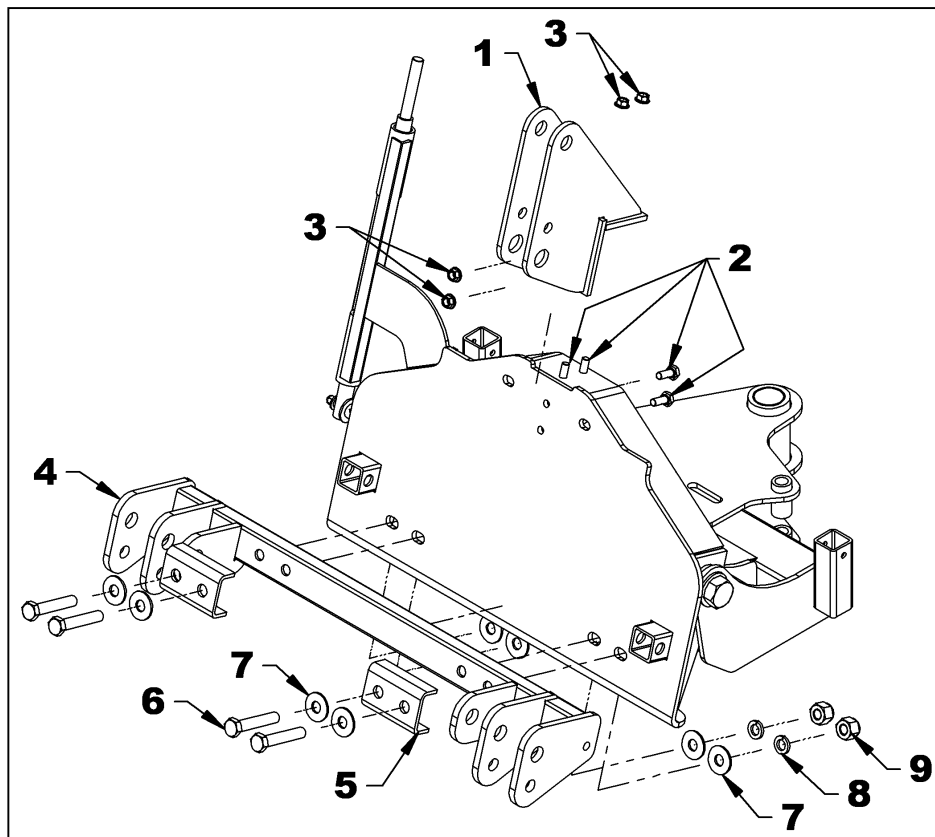
APPLICATION

60" Broom – HB6032 & HB6032X
72" Broom – HB7232 & HB7232X
84" Broom – HB8432 & HB8432XX

INSTALLATION

NOTE: All items are included in the 3 pt hitch kit #BER0006. The two 5/8" x 1 3/4" hex. bolts, the two ϕ 5/8" flat washers as well as the two ϕ 5/8"NC nylon insert are not required to install the BER0006 kit.

1. Set the broom on its four parking stands on a flat and leveled surface.
2. Attach the upper support (item 1) to the rear of the broom with four 1/2"NC x 1 1/4" hex. bolts (item 2) and four 1/2"NC serrated flange nuts (item 3).
3. Attach the lower support (item 4) to the rear of the broom with four ϕ 3/4" x 4" hex. bolts (item 6), four ϕ 3/4" flat washers (item 7), two lower support reinforcements (item 5), four ϕ 3/4" flat washers (item 7), four 3/4" lockwashers (item 8) and four ϕ 3/4" nylon insert nuts (item 9) in the order shown.



PARTS

REF.	DESCRIPTION	QTY	PART #
1	Upper support 3 pt hitch	1	668184
2	Lower support 3 pt hitch	1	668185
3	Lower support reinforcement	1	668186
4	Bolt hex. 1/2" NC x 1 1/4" gr. 5, PTD	4	O/L
5	Nut serrated flange 1/2" NC, PTD	4	O/L
6	Bolt hex. 3/4" NC x 4" gr. 5, PTD	4	O/L
7	Flat washer 3/4" (Ø13/162 int.), PTD	8	O/L
8	Lockwasher 3/4", PTD	4	O/L
9	Nut nylon insert 3/4" NC gr. 5, PTD	4	O/L
10	Pin Cat. 2, PTD	2	4600042
11	Pin Cat. 1, PTD	2	4600043
12	Linchpin 7/16", PTD	2	1900003

O/L = Obtain locally

