



INSTRUCTION SHEET

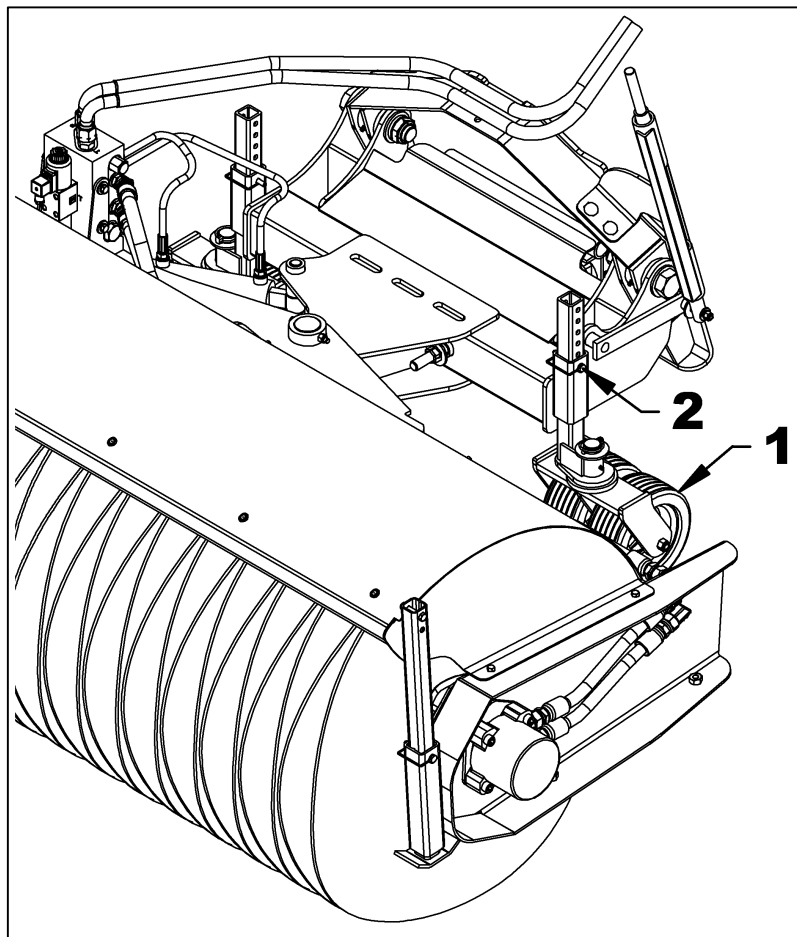
BER0004 – LAWN DETHATCHING WHEEL KIT

INSTALLATION

1. Set the rotary broom on its four parking stands.
2. Raise the rear of the broom. Remove the 2 parking stands on each side of the middle hitch by removing the 3/8"NC x 2" hex. bolts, 3/8" NC nylon insert nuts and the 3/8" x 2 1/2" square wire lock pin.
3. Insert the dethatching wheels in the tubes where the parking stands were installed.
4. Follow the Instructions in the Operator's Manual of the broom on how to adjust the ground pressure but the width of the cleaned strip must only be 3".

OPERATION

1. Bristles should barely touch the ground for lawn dethatching and leaf raking operations.
2. To adjust the height of the wheel slide the inner tube upward or downward, as needed, and insert the round wire lock pin in the open hole.
3. Slower brush speed and ground speed are more adequate for lawn dethatching. This will avoid bouncing which could damage the lawn due to excessive ground contact.



PARTS

REF.	DESCRIPTION	QTY	PART #
1	Wheel bracket	2	668224
2	Adjustable support	2	668225
3	Bushing Ø3/4" ext. x 0.51" int. x 9" lg.	2	668226
4	Wheel Ø8" x 3.5" wide. including bushing	4	3800065
5	Bolt hex. 1/2" NC x 10" lg gr. 5, PTD	2	O/L
6	Nut nylon insert 1/2" NC, PTD	2	O/L
7	Flat washer 1/2" (Ø9/16" int.), PTD	2	O/L
8	Flat washer 1 1/4" (Ø1 3/8" int.), PTD	2	O/L
9	Grease fitting no threads	2	3800062
10	Linchpin 5/16", PTD	2	1900001
11	Square wire lock pin 3/8" x 2 1/2"	2	1900008

O/L= Obtain locally

