



## INSTRUCTION SHEET

# BER0001, BER0002 & BER0003 DUST DEFLECTORS

## APPLICATION

BER0001 - 60" Broom – HB6032 & HB6032X

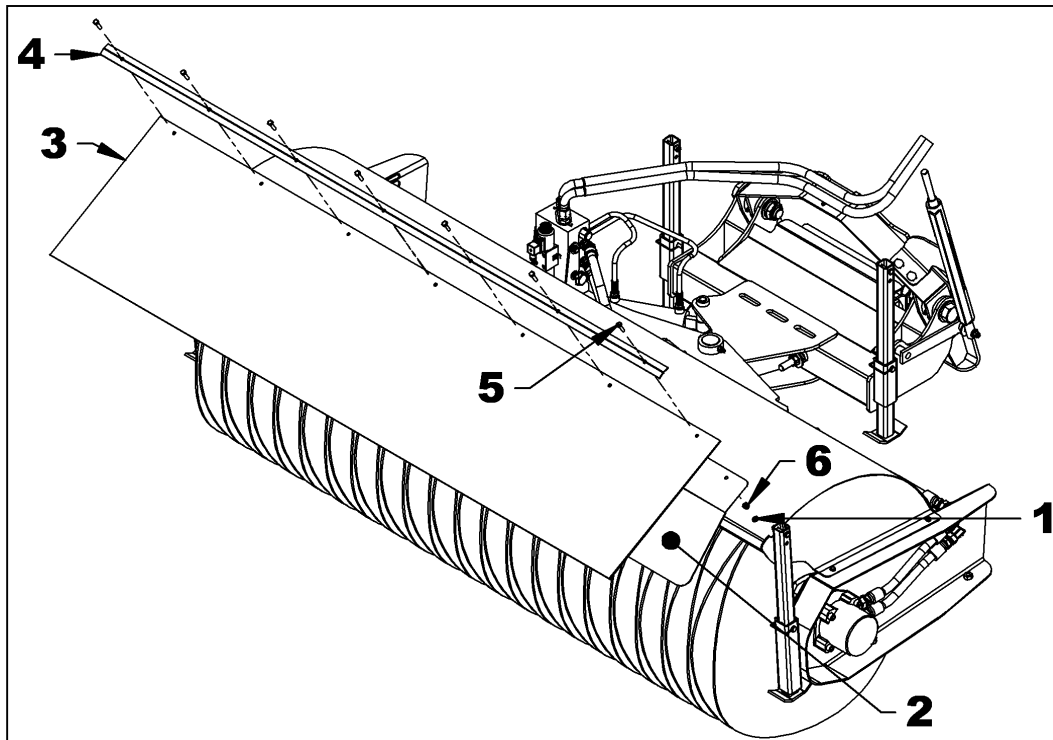
BER0002 - 72" Broom – HB7232 & HB7232X

BER0003 - 84" Broom – HB8432 & HB8432X

## INSTALLATION

**NOTE:** The figure illustrates the 84" model HB8432

1. Remove the 6 or 7 plugs (item 1) depending on the model.
2. Place in the order shown, the deflector brace (item 2), the rubber deflector (item 3) and the deflector support (item 4) on top of the housing while aligning the holes.
3. Secure all the items in place with, depending on the model, 6 or 7 5/16" x 1 1/4" bolts (item 5) and 6 or 7 5/16" nylon insert locknut (item 6).





## INSTRUCTION SHEET

# BER0001, BER0002 & BER0003 DUST DEFLECTORS

## PARTS

REF.	DESCRIPTION	QTY	PART#
<b>BER0001</b>			
1	Rubber Deflector 60"	1	668198
2	Deflector brace 60"	1	668200
3	Deflector support 60"	1	668199
4	Bolt hex. 5/16"NC x 1 1/4" lg PTD	6	O/L
5	Nut 5/16"NC nylon insert PTD	6	O/L
<b>BER0002</b>			
1	Rubber Deflector 72"	1	668194
2	Deflector brace 72"	1	668196
3	Deflector support 72"	1	668195
4	Bolt hex. 5/16"NC x 1 1/4" lg PTD	6	O/L
5	Nut 5/16"NC nylon insert PTD	6	O/L
<b>BER0003</b>			
1	Rubber Deflector 84"	1	668190
2	Deflector brace 84"	1	668192
3	Deflector support 84"	1	668191
4	Bolt hex. 5/16"NC x 1 1/4" lg PTD	7	O/L
5	Nut 5/16"NC nylon insert PTD	7	O/L

O/L = Obtain locally

