



INSTRUCTION SHEET

9462 & BER0014 SECOND AUGER KIT

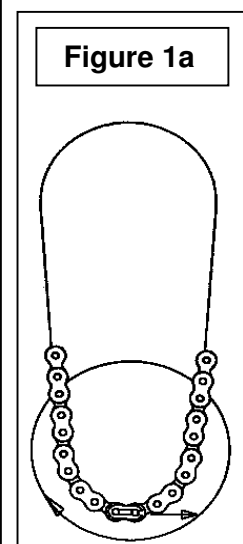
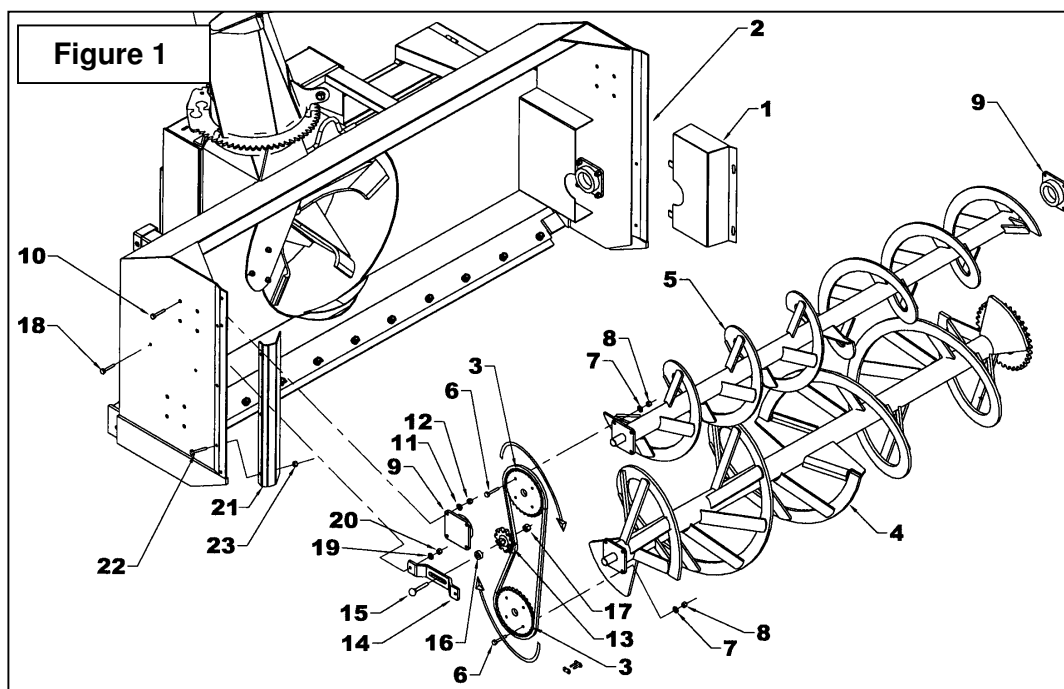
APPLICATION

9462 – SA88 & SA88TRC snowblowers
BER0014 – SA92-L snowblower

INSTALLATION

(Figure 1-a)

1. Remove the front guard (item 1) and loosen the idler sprocket (item 13). Remove the lower auger chain and the bolts on each side of the lower auger (item 4) bearings (item 2). Remove the lower auger from the snowblower.
2. Install the new sprockets (item 3) on both augers using four 3/8" NC x 1 1/4" bolts for the upper auger (item 5) and four 3/8" NC x 1 1/2" bolts for the lower auger (item 4), with lockwashers and nuts (items 6-7-8). Tighten according to the Torque Specification Table located in your snowblower's manual.
3. Reinstall lower and upper augers (items 4-5) with the supplied bearings (item 9) and 1/2" x 1 1/2" bolts, lockwashers and nuts (items 10-11-12). Do not tighten setscrews on the bearings now.
4. Install idler sprocket (item 13) on chain idler support (item 14) as shown, using a 5/8" NC x 2 1/2" carriage bolt, spacer ring and 5/8"NC nylon insert locknut (items 15-16-17). Assemble support inside snowblower in the pre-bored holes, using two 3/8" NC x 1 1/4" bolts, lockwashers and nuts (items 18-19-20).
5. Install the chain as shown and assemble the connecting link by placing the opening opposite the direction of the chain rotation (see Figure 1a). Align the auger's sprockets with the idler sprocket and tighten securely the setscrews on the auger bearings to stabilize the augers.
6. Install the new chain guard (item 21) supplied with the optional upper auger, using three 3/8"NC x 1" bolts and nylon insert locknuts (items 22-23). Reinstall the lower auger chain and the front guard.





INSTRUCTION SHEET

9462 & BER0014 SECOND AUGER KIT

PARTS

REF.	DESCRIPTION	QTY.	PART #
1	Upper auger – SA88 & SA88TRC	1	666827
	Upper auger – SA92-L	1	668422
2	Chain guard	1	662215
3	Chain idler support	1	655782
4	Bearing 1 1/4" dia. hole, 4 holes	2	4300001
5	Chain #60 x 83 links & connecting link	1	662071
6	Sprocket # 60 A 32 hole 1 1/4" dia.	2	654167
7	Idler sprocket H60C15	1	665397
8	Bolt hex. 3/8" NC x 1 1/4" gr.5 PTD	6	O/L
9	Lockwasher 3/8" PTD	10	O/L
10	Nut hex. 3/8" NC PTD	10	O/L
11	Bolt hex. 1/2" NC x 1 1/2" gr.5 PTD	8	O/L
12	Lockwasher 1/2" PTD	8	O/L
13	Nut hex. 1/2" NC PTD	8	O/L
14	Carriage bolt 5/8" NC x 2 1/2" gr.5 PTD	1	O/L
15	Spacer ring	1	667772
16	Nylon insert locknut hex. 5/8" NC PTD	1	O/L
17	Bolt hex. 3/8" NC x 1" gr.5 PTD	3	O/L
18	Nylon insert locknut hex. 3/8" NC PTD	3	O/L
19	Bolt hex. 3/8" NC x 1 1/2" gr.5 PTD	4	O/L
20	Connecting link	1	654839

