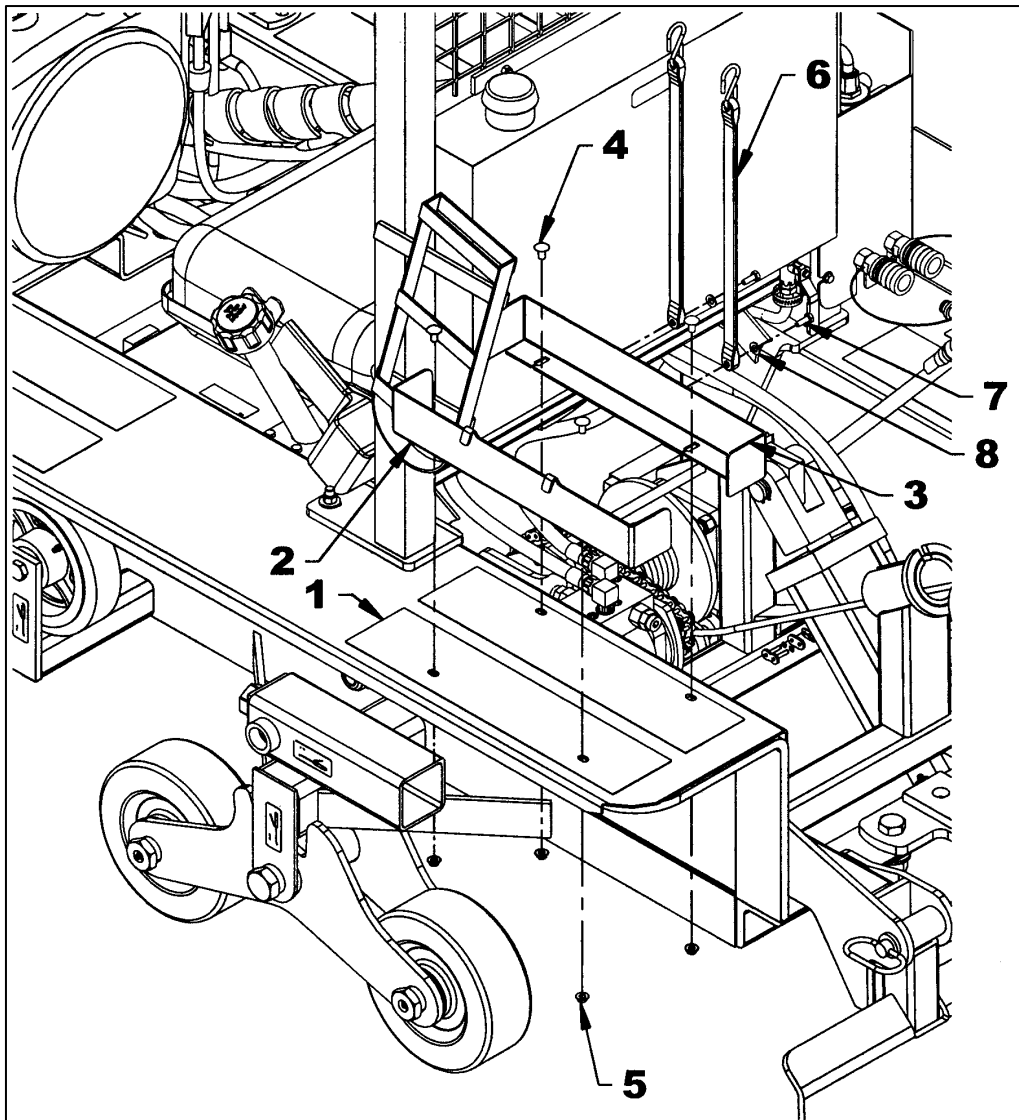


### INSTALLATION

1. Look under the left side of the frame to locate the existing holes and pierce the non-slip strips (item 1).
2. Attach the left side (item 2) and the right side (item 3) of the can holder to the vehicle with four 5/16" NC x 5/8" bolts (item 4) and four 5/16" serrated flange nuts (item 5).
3. Install the rubber tie-downs (item 6) to the right side of the can holder (item 3) with the two 1/4" NC x 3/4" bolts (item 7) and the two 5/16" flat washers (item 8).

**IMPORTANT:** Apply medium strength threadlocker.



### FUEL CAN SUPPORT

REF.	DESCRIPTION	QTY	PART #
1	Left side of can holder	1	110140
2	Right side of can holder	1	110139
3	Rubber tie-down	2	110143
4	Carriage bolt 5/16"NC x 5/8" PTD	4	0300001
5	Serrated flange nut 5/16"NC PTD	4	0900036
6	Bolt 1/4"NC x 3/4" PTD	2	O/L
7	Flat washer Ø5/16" PTD	2	O/L
8	Fuel can	1	4200012

