

INSTRUCTION SHEET

QUICK DISCONNECT YOKE

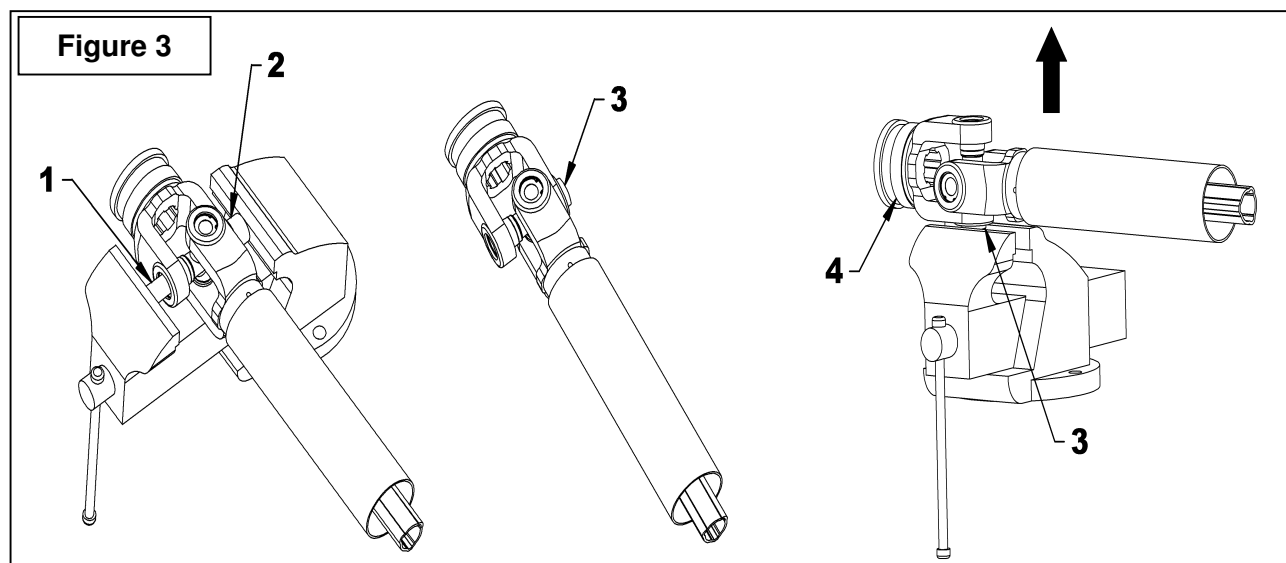
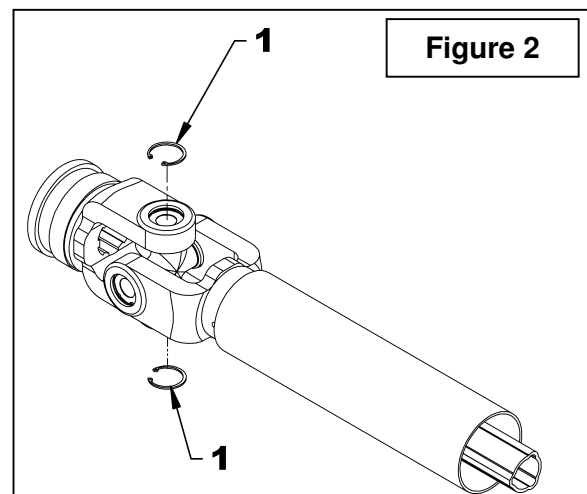
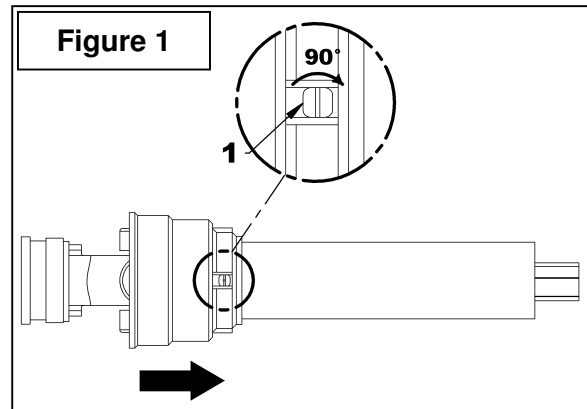
APPLICATION

SA92, SA92TRC, SA98, SA98TRC and SA104TRC snowblowers.

INSTALLATION

1. **Figure 1:** Turn the three plastic studs (item 1) 90° then remove them. Remove the driveline's bell cone in the direction of the arrow
2. **Figure 2:** Remove the two circlips (item 1).
3. **Figure 3:** Use a shaft having a diameter less than 1 5/16" (item 1) and a bushing with an interior diameter over 1 7/16" to remove the bearings. Press the shaft (item 1) against one side of the cross and the bushing (item 2) against the other side. Tighten the vise. Open the vise then remove the driveline and continue removing the bearing (item 3) that partially came out with the vise. Switch the shaft (item 1) and the bushing (item 2) around and repeat the same procedure for the other bushing. Remove the yoke (item 4).

IMPORTANT: Be careful not to lose the bearing pins since they are only held on by grease. If they fall, replace them and add grease to keep them in place.



INSTRUCTION SHEET

QUICK DISCONNECT YOKE

4. **Figure 4:** Position the new yoke on the driveline. Reinstall the first bearing (item 1) by tightening the vise making sure the cross is partially inserted in the bearing (item 1) while tightening. Reinstall the second bearing (item 2) by tightening the vise making sure the cross is partially inserted in the bearings. Using the shaft previously used (item 3), push in one of the bearings in its original position. Reinstall its circlip (item 4). Repeat the same procedure for the other bearing.

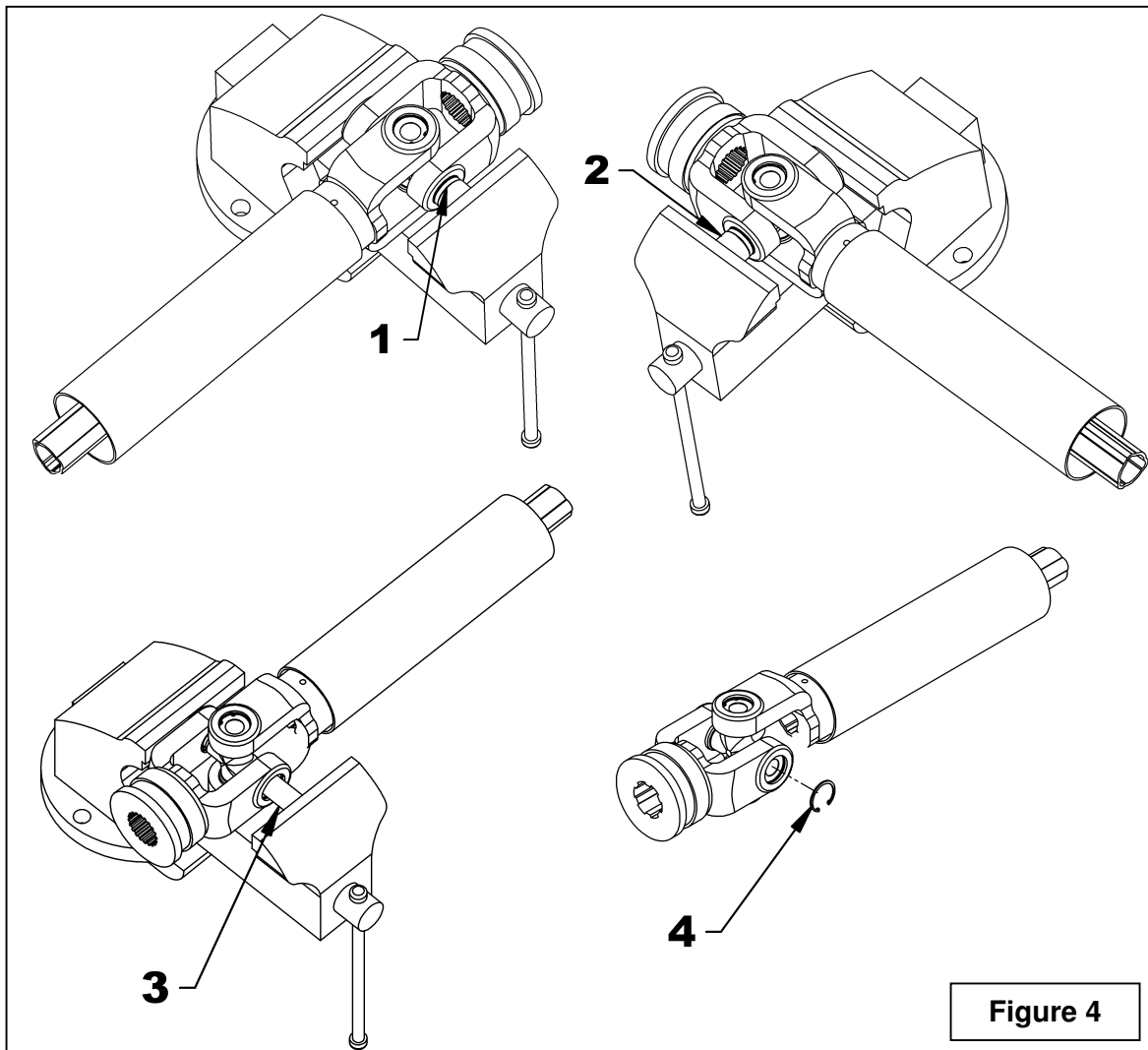


Figure 4

INSTRUCTION SHEET

QUICK DISCONNECT YOKE

- 5. **Figure 5:** To allow the yoke to move freely, knock slightly with a hammer on the two sides of the quick disconnect yoke.
- 6. **Figure 6:** Reinstall the bell cone in its original position and secure in place with the three plastic studs (item 1).

