



INSTRUCTION SHEET

8183 HYDRAULIC ROTATION (H64-H76)

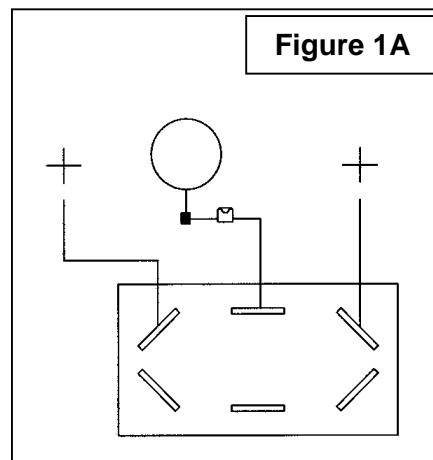
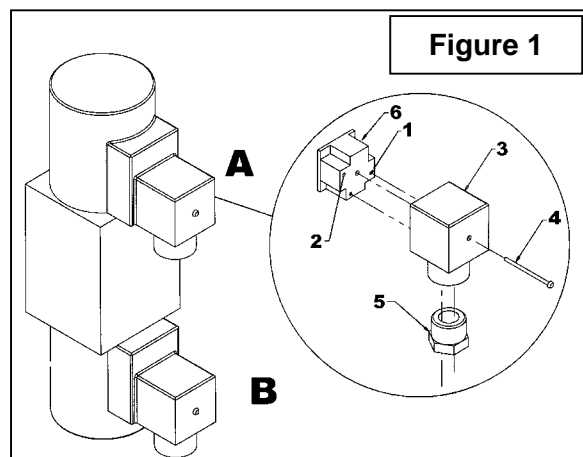
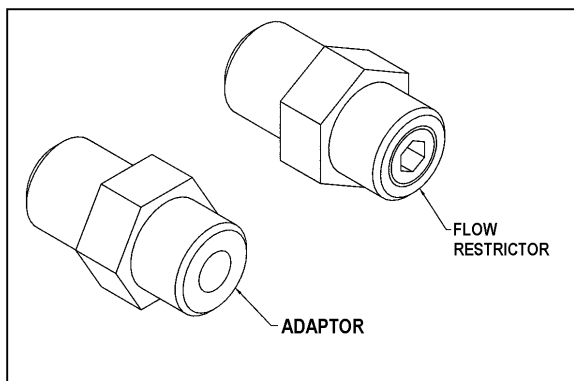
HYDRAULIC ROTATION - 8183 - (3" x 8" Cylinder – 8150)

Refer to figure 2 unless otherwise indicated)

NOTE: Refer to the Diagram of Hydraulic & Electrical Circuits at all times.

1. Shut engine off and remove the ignition key.
2. Install the 3" x 8" cylinder (item 1) on the rotation system with the cylinder ports pointing down and the cylinder rod pointing toward the rotation bell crank. Secure the cylinder yokes with two 1" pins (item 2) and four hairpins (item 24).
3. Install the manifold (item 27) on the left side (position "A") of the snowblower using two #10-24 x 1 1/4" socket head cap screw and #10-24 nylon insert locknuts (items 25-26).
4. Install the 9/16" ORB male x 9/16" JIC male adapters (item 10) on each manifold port (item 27). **ATTENTION:** In order to distinguish adapters and flow restrictors, refer to the figure below.

5. Place the 9/16" fitting of the 1/4" x 22 1/4" hose (item 8) on port "T" of the manifold (item 27) and the bent fitting of the 1/4" x 24" hose (item 7) on port "P". Do not tighten immediately.
6. On the upper port "A", install the 1/4" x 27" hose (item 5) and on the lower port "B", the 1/4" x 34" hose (item 6). Do not tighten immediately.





INSTRUCTION SHEET

8183 HYDRAULIC ROTATION (H64-H76)

7. Place a 1/2" x 1/4" NPT teflon-coated adapter (item 9) on each cylinder port. Connect the 1/4" x 27 teflon-coated hose (item 5) on the piston side of the cylinder (item 1) and the 1/4" x 34" teflon-coated hose (item 6) on the rod side.
8. Insert a flow restrictor (item 28) on the front of the snowblower manifold (item 3). Connect the 1/4" x 24" teflon-coated hose (item 7). Do not tighten immediately.
9. Insert 7/16" ORB male x 7/16" JIC male adapter (item 12) on the side of the snowblower manifold (item 3). Connect 1/4" x 22 1/4" (item 8). Do not tighten immediately.
10. Tighten all the hoses once they are properly positioned.

11. Assemble the electro-hydraulic valve (item 4) with the manifold (item 27), using the socket head capscrews supplied with the electro-hydraulic valve.
12. Connect the two 360" white wires (item 15) to the terminals at each end of the switch (item 18) and the 72" white wire (item 17) in the center of the switch, (Refer to fig. 1a).

NOTE: The wires must be connected to the 3 terminals on the same side of the switch (see figure 1a).

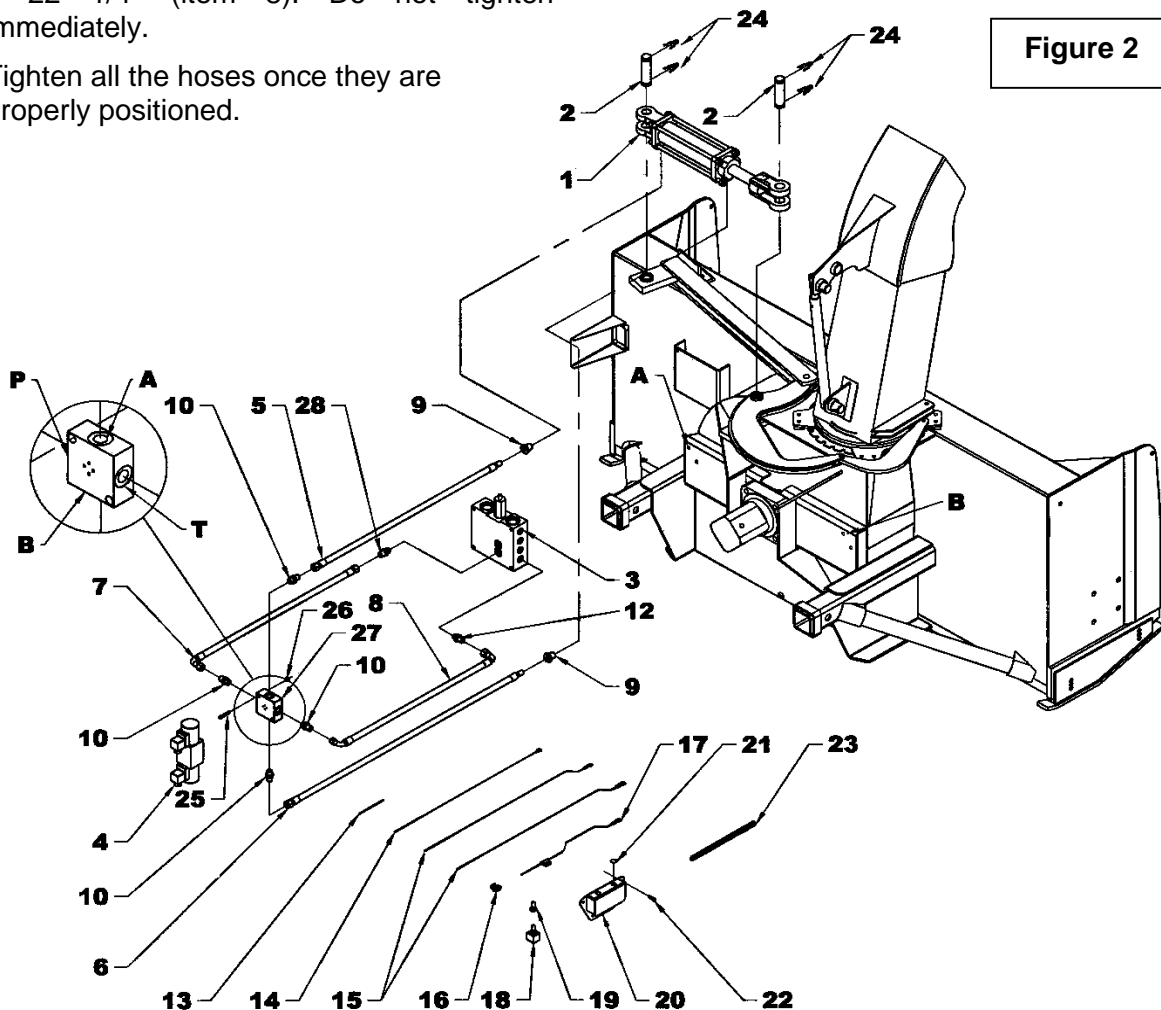


Figure 2



INSTRUCTION SHEET

8183 HYDRAULIC ROTATION (H64-H76)

13. Install the switchbox (item 20) on the machine where it will be easily accessible during snowblower operation using three #10 x 1/2" self-drilling screws (item 22). Avoid placing the switch box where wires are already installed as they could be damaged.

NOTE: The fourth self-drilling screw will be used later.

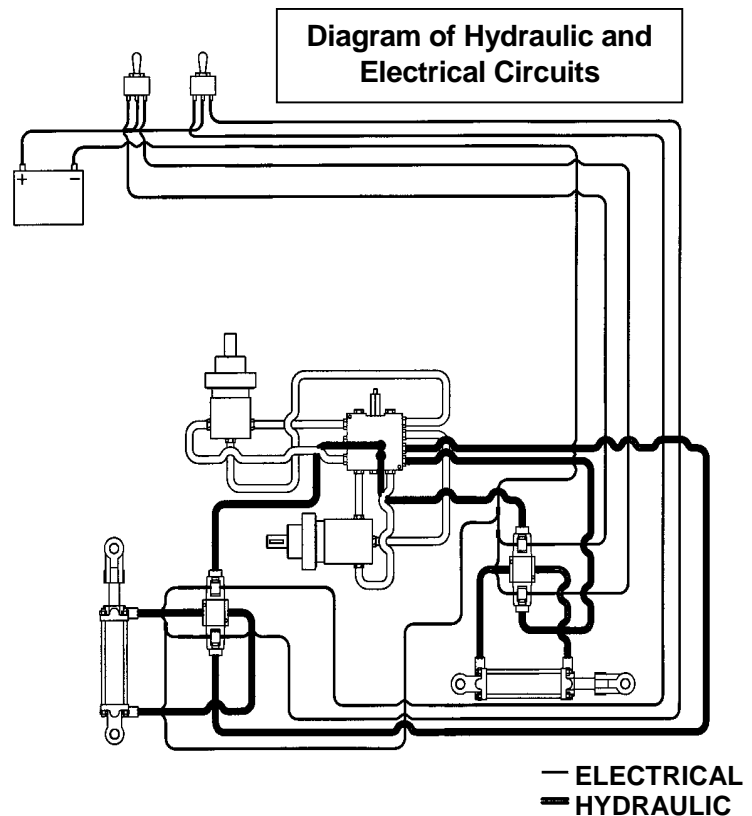
14. Remove the switch's lockwasher and insert the switch (item 18) inside the switchbox. Set in place with the nut. Install the plastic cap (item 21) on the other switchbox hole if required and place the rubber cap (item 19) on the switch. Bring the wires toward the snowblower.

15. Remove the valve's (Fig. 2, item 4) connection case "A" (Fig. 1, item 3) of) by completely removing the front screw (Fig. 1, item 4) and remove the bottom plug (Fig. 1, item 5). Using a small screwdriver, remove the connection block (Fig. 1, item 6) by inserting the screwdriver in the plug hole (Fig. 1, item 5) and pushing lightly on the connection block. Insert a 360" white wire (Fig. 2, item 16) in the hole identified #1 (Fig. 1, item 1) and a black 9" wire (Fig. 2, item 13) in the hole identified #2 (Fig. 1, item 2) and run the wires through the case plug (Fig.1, follow the ghost lines).

16. Reinstall the block (Fig. 1, item 6) in the case (Fig. 1, item 3) so the wires point down to avoid water infiltrations (see Figure 7).

17. Put the case back on the valve (Fig. 2, item 4) and fasten with the screw (Fig. 1, item 4). Reinstall the plug (Fig. 1, item 5).

18. Remove connection case "B" and insert a 360" white wire (Fig. 2, item 15) in the hole identified #1 (Fig. 1, item 1). Insert the end of the 9" black wire (Fig. 2, item 13) connected to case "A" as well as the black 360" wire (Fig. 2, item 14) in the hole identified #2 (Fig. 1, item 2) and run the wires through the case plug (Fig.1, follow the ghost lines). Reinstall the block in the case so the wires point down to avoid water infiltrations.





INSTRUCTION SHEET

8183 HYDRAULIC ROTATION (H64-H76)

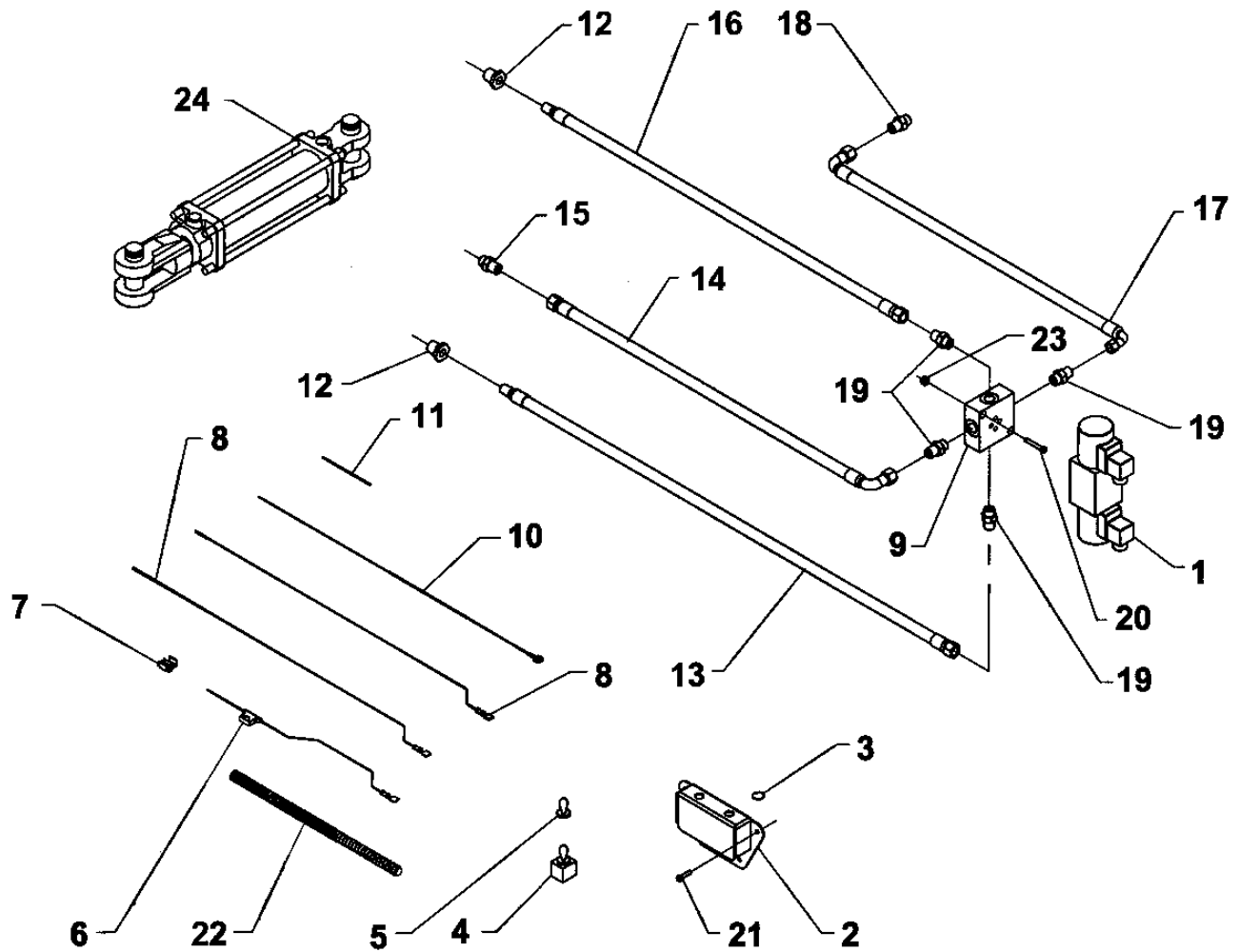
19. Put the case back on the valve and fasten with the screw. Reinstall the plug.
20. Bring the 360" black wire (Fig. 2, item 14) to the switchbox (item 18) through the same course used to bring the white wires (item 15) from the tractor to the snowblower and fasten the eye terminal to the switchbox using the fourth #10 x 1/2" self-drilling screw (Fig. 2, item 22).
21. Connect the fuse wire (Fig. 2, item 20) to the tractor's ignition switch wire using the tap connector (Fig. 2, item 17).
22. Place a loom (item 23) around all wires to protect them.
23. Secure the loom with tie wraps making sure to leave it loose enough to compensate for the movement of the tractor's articulations.



INSTRUCTION SHEET

**8183 HYDRAULIC ROTATION
(H64-H76)**

HYDRAULIC ROTATION- 8183





FEUILLE D'INSTRUCTION

8183 ROTATION HYDRAULIQUE (H64-H76)

HYDRAULIC ROTATION - 8183

REF.	DESCRIPTION	QTY	PART #
1	Electro-hydraulic valve	1	3900027
2	Switch box	1	666048
3	Plastic cap	1	662530
4	Switch 6 blades	1	4000027
5	Rubber cap	1	658666
6	Fuse wire 72"	1	666065
7	Tap connector	1	656665
8	Positive wire 360"	2	666066
9	Electro-hydraulic valve manifold	1	3900028
10	Negative wire 360"	1	666067
11	Negative wire 9"	1	666068
12	Adapter 1/2"NPT male x 1/4"NPT female	2	657798
13	Hose 1/4"x34", 9/16"JIC swivel fem. x 1/4" swivel male Hose 1/4"x24", 9/16"JIC swivel fem. short bend 90 x	1	3700010
14	9/16"JIC swivel fem.	1	3700007
15	Flow restrictor 5/64"	1	666069
16	Hose 1/4"x27", 9/16"JIC swivel fem. x 1/4" swivel male Hose 1/4"x22 1/4", 7/16"JIC swivel fem. short bend 90 x	1	3700009
17	9/16"JIC swivel fem. short bend 90	1	3700008
18	Connector 7/16" male ORB x 7/16" male JIC	1	664271
19	Connector 9/16" male ORB x 9/16" male JIC	4	661544
20	Socket head capscrew #10-24 x 1 1/4" GR 5, PTD	2	O/L
21	Self-drilling screw #10-24 x 1/2"	4	O/L
22	Loom	1	666053
23	Nylon insert locknut #10-24 PTD	2	O/L
Cylinder kit 8150			
23	Cylinder 3" x 8"	1	654129
	Seal kit for 654129 cylinder (not shown)	1	664176