



INSTRUCTION SHEET

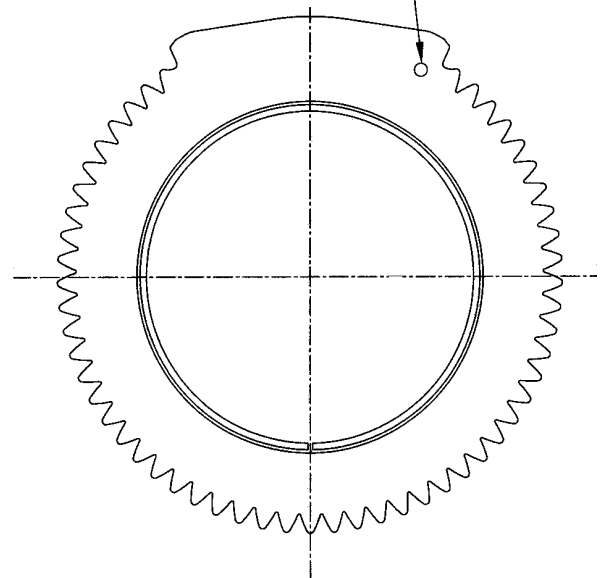
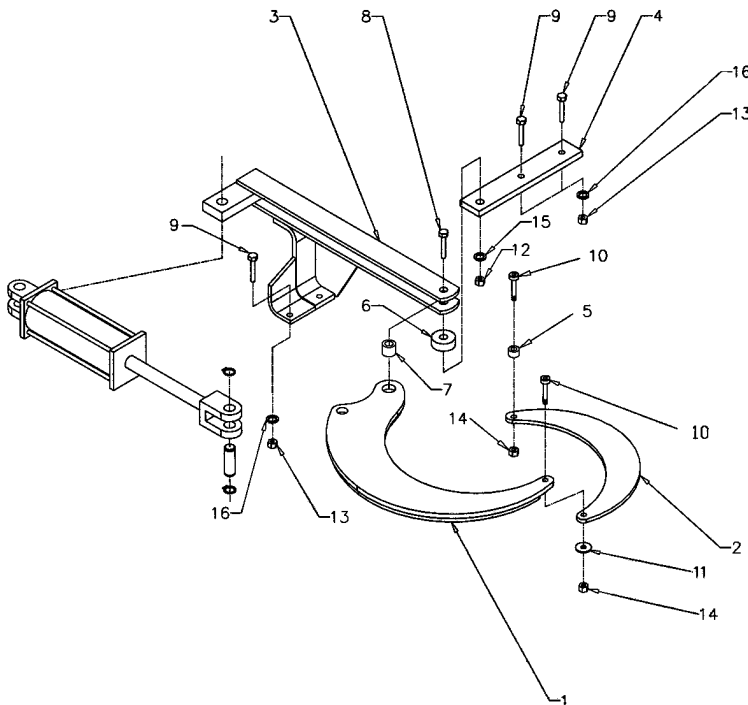
8171 ROTATION BY CYLINDER

Hydraulic Rotation by Cylinder

1. Install bell crank bracket (item 4) under the base of the chute support at the centre of the machine by using two 1/2" NC x 1 3/4" hex. bolts (item 9). Tighten with two lockwashers and nuts (items 13-16).
2. Install the cylinder bracket (item 3) on the housing, attaching everything with two 1/2" NC x 1 3/4" bolts (item 9). Tighten with two lockwashers and nuts (items 13-16).
3. Insert a bushing (item 7) in the $\text{Ø}1\ 1/4$ " hole of the bell crank and slide the bell crank between the flat bars of the cylinder bracket. Slide a pivot bushing (item 6) under the cylinder bracket (item 3). Fasten everything by inserting a 3/4" NC x 4 1/2" bolt (item 8) through the $\text{Ø}3/4$ " hole of the bell crank bracket (item 4) and tighten with a lockwasher and nut (items 12-15).
4. Fasten the push arm (item 2) in the $\text{Ø}1/2$ " hole located on the chute gear, using a 1/2" x 3/4" shoulder screw (item 10) with the head of the screw upward. Place a spacer (item 5) between the push arm (item 2) and the gear and tighten with a 3/8" NC stover nut (item 14), leaving some movement to the articulation. Attach the other end by inserting a 1/2" x 3/4" shoulder screw (item 10) with the head over the chute base and tighten with a 7/16" flatwasher (item 11) and a 3/8" NC stover nut (item 14), leaving some movement to the articulation.

IMPORTANT: To prevent premature wear, grease generously the mobile parts.

Fixation du tirant
Push arm fastening





INSTRUCTION SHEET

8171 ROTATION BY CYLINDER

REF.	DESCRIPTION	QTY	PART NUMBER
1	Bell crank	1	664550
2	Push arm	1	664549
3	Cylinder bracket	1	664534
4	Bell crank bracket	1	664551
5	Pivot bushing	1	665732
6	Pivot bushing	1	665731
7	Bushing	1	664476
8	Hex. Bolt 3/4" NC x 4 1/2"	1	O/L
9	Hex. Bolt 1/2" NC x 1 3/4"	4	O/L
10	Shoulder screw 1/2" x 3/4"	2	664577
11	Flatwasher $\varnothing 7/16$ "	1	O/L
12	Hex. Nut 3/4" NC	1	O/L
13	Hex. Nut 1/2" NC	4	O/L
14	Stover nut 3/8" NC	2	O/L
15	Lockwasher 3/4"	1	O/L
16	Lockwasher 1/2"	4	O/L

