



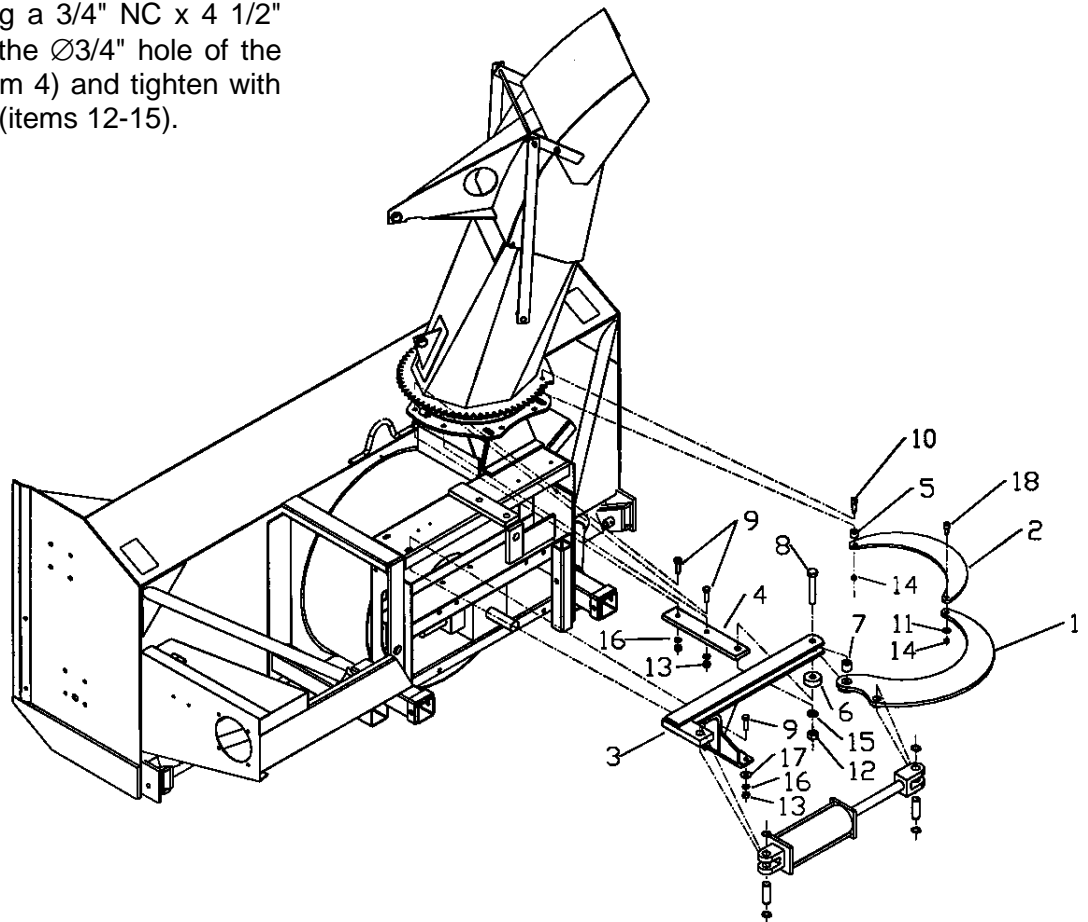
INSTRUCTION SHEET

8171 ROTATION BY CYLINDER

Hydraulic Rotation by Cylinder

1. Install bell crank bracket (item 4) under the base of the chute support at the centre of the machine by using two 1/2" NC x 1 3/4" hex. bolts (item 9). Tighten with two lockwashers (item 16) and nuts (item 13).
2. Install the cylinder bracket (item 3) on the housing, attaching everything with two 1/2" NC x 1 3/4" bolts (item 9). Tighten with two lockwashers (item 16), nuts (item 13) and 9/16" flatwashers (item 17).
3. Insert a bushing (item 7) in the $\text{\O}1\ 1/4$ " hole of the bell crank (item 1) and slide the bell crank between the flat bars of the cylinder bracket. Slide a pivot bushing (item 6) under the cylinder bracket (item 3). Fasten everything by inserting a 3/4" NC x 4 1/2" bolt (item 8) through the $\text{\O}3/4$ " hole of the bell crank bracket (item 4) and tighten with a lockwasher and nut (items 12-15).
4. Fasten the push arm (item 2) in the $\text{\O}1/2$ " hole, under the chute gear, using a 1/2" x 1 1/4" shoulder screw (item 10) with the head of the screw upward. Place a spacer (item 5) between the push arm (item 2) and the gear and tighten with a 3/8" NC stover nut (item 14), leaving some movement to the articulation. Attach the other end over the bell crank by inserting a 1/2" x 3/4" shoulder screw (item 18, with the head upward) and tighten with a 7/16" flatwasher (item 11) and a 3/8" NC stover nut (item 14), leaving some movement to the articulation.

IMPORTANT: To prevent premature wear, grease generously the mobile parts.





INSTRUCTION SHEET

8171 ROTATION BY CYLINDER

REF.	DESCRIPTION	QTY	PART NUMBER
1	Bell crank	1	664550
2	Push arm	1	664549
3	Cylinder bracket	1	664534
4	Bell crank bracket	1	664551
5	Spacer	1	665732
6	Pivot bushing	1	665731
7	Bushing	1	664476
8	Hex. Bolt 3/4" NC x 4 1/2"	1	O/L
9	Hex. Bolt 1/2" NC x 1 3/4"	4	O/L
10	Shoulder screw 1/2" x 1 1/4", 38/" NC	1	3200016
11	Flatwasher $\varnothing 7/16"$	1	O/L
12	Hex. Nut 3/4" NC	1	O/L
13	Hex. Nut 1/2" NC	4	O/L
14	Stover nut 3/8" NC	2	O/L
15	Lockwasher 3/4"	1	O/L
16	Lockwasher 1/2"	4	O/L
17	Flatwasher 9/16" PTD	2	O/L
18	Shoulder screw 1/2" x 3/4"	1	664577

