

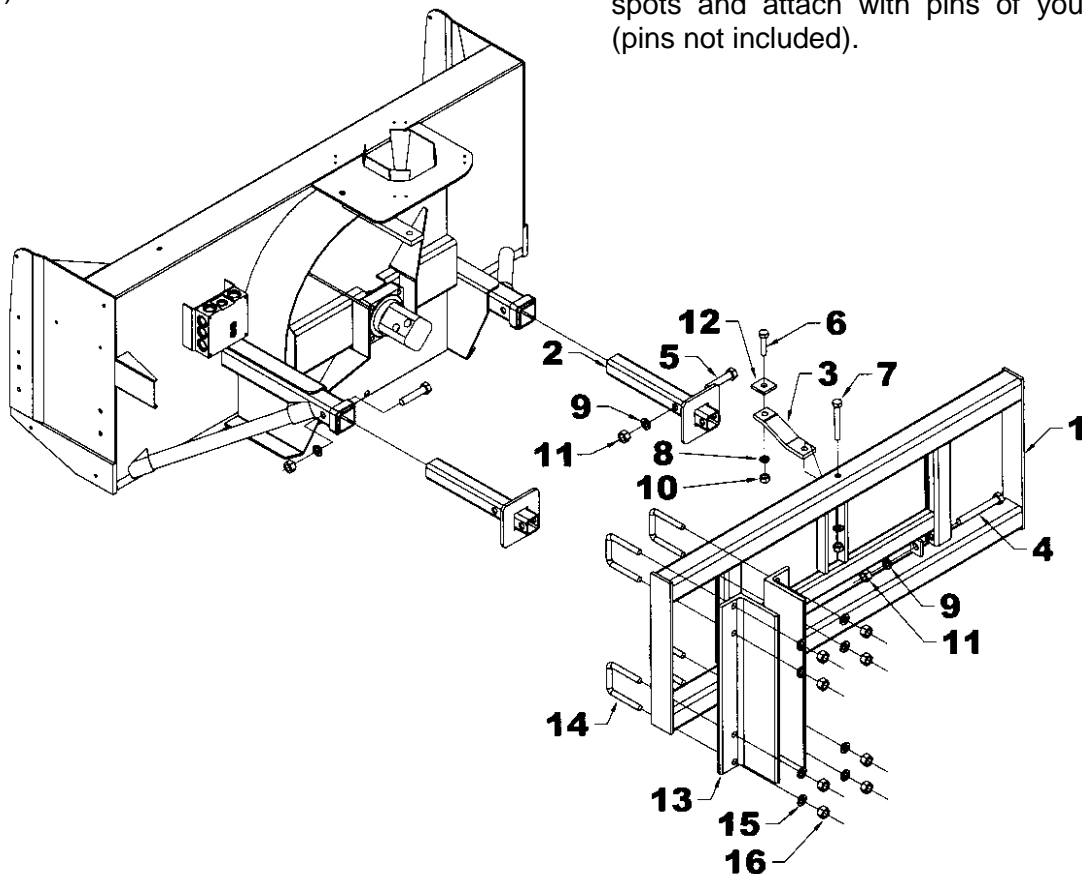


# 8161 - UNIVERSAL MOUNTING HITCH FOR FRONT LOADER

## INSTRUCTION SHEET

### INSTALLATION

1. Attach hitch arms (item 2) to hitch (item 1) using two 3/4" NC x 6" hex. bolts (item 4), 3/4" lockwashers (item 9) and 3/4" hex. nuts (item 11).
2. Insert hitch (item 1) in the snowblower tubes and secure with 3/4" NC x 3 1/2" hex. bolts (item 5), 3/4" lockwashers (item 9), 3/4" NC hex. nuts (item 11).
3. Place the upper bracket (item 3) under the snowblower plate inserting the spacer (item 12) in between. Secure using a 5/8" NC x 2 1/2" hex. bolt (item 6) on the snowblower and a 5/8" NC x 5" hex. bolt (item 7) on the hitch. Secure with a 5/8" lockwasher (item 8) and a 5/8" hex nut (item 10).
4. Install two angle irons (item 13) on each side of the hitch (item 1) with four 5/8" NC "U" bolts (item 14), eight 5/8" lockwashers (item 15) and eight 5/8" NC hex. nuts (item 16),
5. Move the tractor placing the tractor arms close to the angle irons (item 13), on each side of the loader arms, so it's possible to take hold of the angle irons. Tighten the "U" bolts firmly.
6. Place the loader arms between the angle irons (item 13) and punch the attaching positions in the angle irons making sure to leave enough room to unhook the universal hitch.
7. Drill holes in the angle irons in the marked spots and attach with pins of your choice (pins not included).





# 8161 - UNIVERSAL MOUNTING HITCH FOR FRONT LOADER

## INSTRUCTION SHEET

### PARTS

REF.	DESCRIPTION	QTY	PART #
1	Loader hitch	1	665894
2	Universal hitch arm	2	665882
3	Angle iron	4	665895
4	Upper hitch	1	665883
5	Spacer	1	665897
6	Bolt "U" 5/8"NC x 3" x 4 1/2" PTD	8	30883
7	Bolt hex. 5/8"NC x 2 1/2" PTD	1	O/L
8	Bolt hex. 5/8"NC x 5" PTD	1	O/L
9	Bolt hex. 3/4"NC x 3 1/2" PTD	2	O/L
10	Bolt hex. 3/4"NC x 6" PTD	2	O/L
11	Lockwasher 5/8" PTD	18	O/L
12	Nut hex. 5/8"NC PTD	18	O/L
13	Lockwasher 3/4" PTD	4	O/L
14	Nut hex. 3/4"NC PTD	4	O/L

