

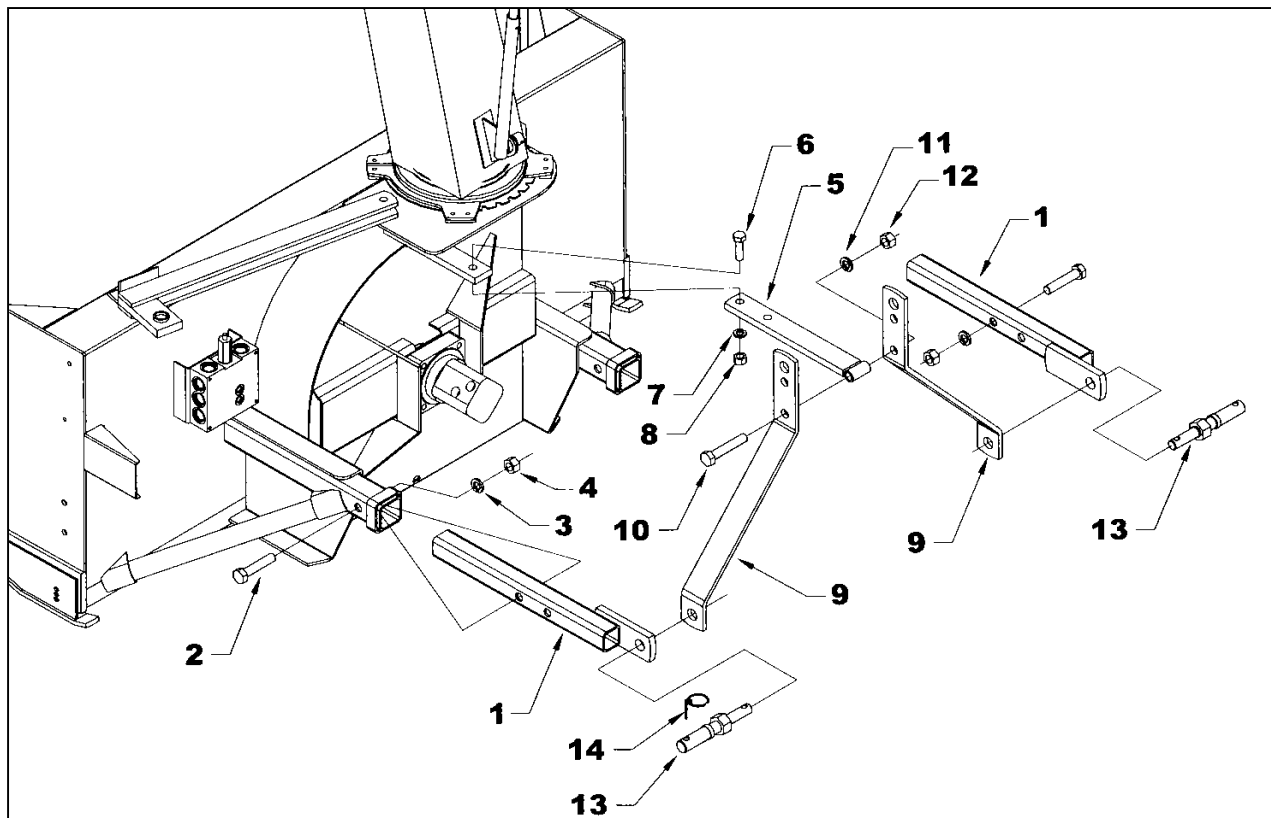


## 8160 – THREE POINT HITCH FOR REAR MOUNT CAT. 1 & 2

### INSTRUCTION SHEET

#### INSTALLATION

1. Insert the lower hitches (item 1) in the snowblower placing the welded flat bar towards the inside as illustrated and secure with a  $3/4"$  x  $3 1/2"$  bolt (item 2), lockwasher and nut (items 3-4).
2. Attach the upper hitch (item 5) under the snowblower's flat bar with a  $5/8"$  x  $2"$  bolt (item 6), lockwasher and nut (items 7-8).
3. Attach the hitch arms (item 9) to the upper hitch with the  $3/4"$  x  $4"$  bolt (item 10) inserted in the lower holes, a lockwasher and a nut (items 11-12).
4. Attach each hitch arm (items 9) inside the lower hitches (item 1) using a hitch pin with lockwasher and nut (item 13) and secure with the linchpin (item 14).
5. Tighten all bolts according to the "**Torque Specification**" at the end of the snowblower manual.





# 8160 – THREE POINT HITCH FOR REAR MOUNT CAT. 1 & 2

## INSTRUCTION SHEET

### PARTS

REF.	DESCRIPTION	QTY	PART #
1	Lower hitch	2	665887
2	Bolt hex. 3/4" NC x 3 1/2", PTD	2	O/L
3	Lockwasher 3/4", PTD	3	O/L
4	Nut hex. 3/4" NC, PTD	3	O/L
5	Upper hitch	1	665888
6	Bolt hex. 5/8" NC x 2", PTD	1	O/L
7	Lockwasher 5/8", PTD	1	O/L
8	Nut hex. 5/8" NC, PTD	1	O/L
9	Hitch arm	2	665885
10	Bolt hex. 3/4" NC x 4", PTD	1	O/L
11	Hitch pin Cat. 1 & 2	2	654204
12	Linchpin 7/16", PTD	2	1900003

