



INSTRUCTION SHEET

8154 ELECTRIC DEFLECTOR & ROTATION

APPLICATION:

Electric Deflector for Snowblowers B48, B54, B64 and H64
Electric Chute Rotation for Snowblower B48. (requires 8241)

INSTALLATION:

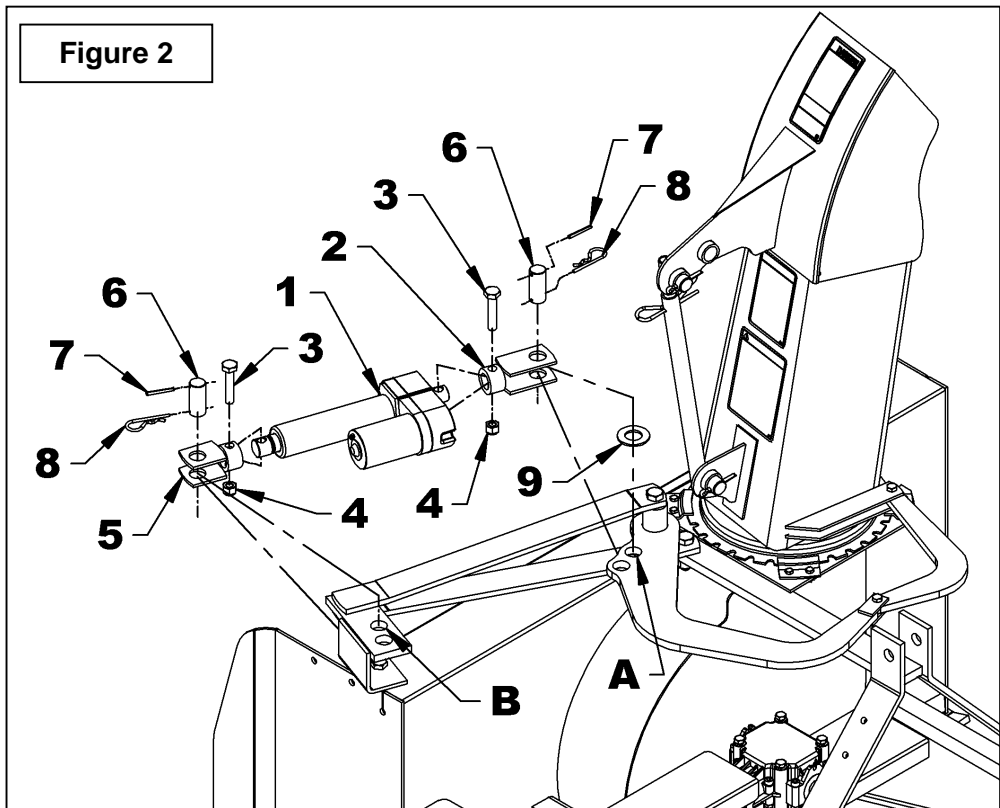
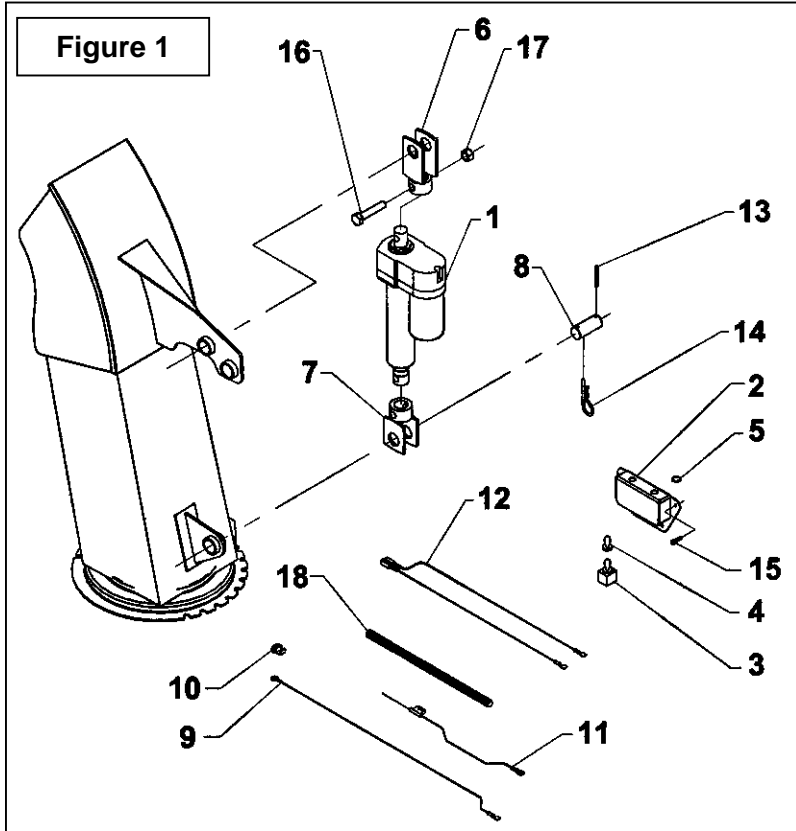
(Figures 1, 2 & Electrical Diagram)

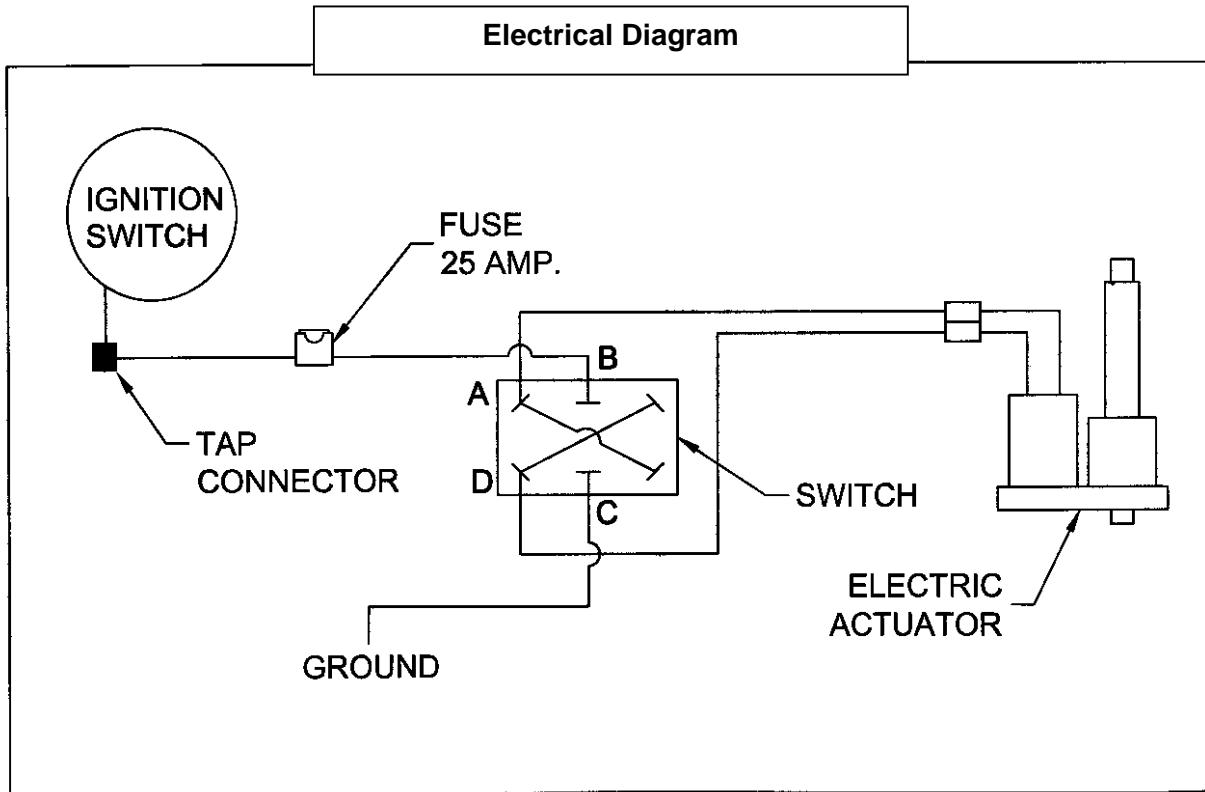
1. Shut off the engine and remove the ignition key.
 2. Install the longer clevis (item 6) on the actuator base (item 1) and the shorter clevis on the other end (item 7) and attach using two 1/2" NC x 2 1/2" bolts (item 16) and 1/2" NC nylon insert locknuts (item 17).
 3. Install a 3/16" x 1 3/4" spring pin (item 13) on each 1" pin (item 8).
 4. **For electric deflector fig. 1:** Attach the actuator on the chute (see figure 1 for actuator position) using two 1" pins (item 8) and secure with a 4mm x 80mm hairpin (item 14).
- NOTE:** The base end of the electric actuator attaches in the hole closest to the chute (as shown on figure 13).
5. **For electric rotation fig. 2:** Attach the actuator in hole "A" of the bell crank by first placing a 1 1/16" flat washer (item 19) on the bell crank as shown on figure 2 and the other end in hole "B" of the rotation bracket with two 1" pins (items 8) and two 4mm x 80 mm hairpins (items 14).
- NOTE:** See figure 2 for the actuator position.
6. Connect the ground wire (item 9, black 72") to terminal "C" on switch (item 3).
 7. Connect fuse wire (item 11, red 72") to terminal "B" on switch (item 3).
 8. Connect actuator wires (item 12, 1 red and 1 black 360") to terminal "A" and "D" on switch (item 3).
 9. If switch box is already installed for the electric rotation, go to step 8. If not, install the switch box (item 2) at a convenient location for easy access when operating the snowblower. Secure using three #10 x 1/2" self-drilling screws (item 15). Leave a hole to install the ground wire. Avoid placing switch box where wires are already installed as they could be damaged.
 10. Unscrew the nut and remove the lockwasher from the switch. Insert switch (item 3) in the switch box. Tighten the switch with its nut. Place the plastic cap (item 5) over the free hole in the switch box (if necessary) and screw the rubber cap (item 4) on the switch.
 11. Connect the black ground wire's eye terminal (item 9) to the fourth #10 x 1/2" screw (item 15), and screw to the free hole of the switch box (item 2).
 12. Connect the fuse wire (item 11) to the tractor ignition switch wire using the tap connector (item 10).
 13. Connect the actuator wires (item 12) to the electric actuator (item 1).
 14. Place a loom (item 18) around all wires to protect them. Secure the loom using tie wraps.



INSTRUCTION SHEET

8154 ELECTRIC DEFLECTOR & ROTATION







INSTRUCTION SHEET

8154 ELECTRIC DEFLECTOR & ROTATION

PARTS

REF.	DESCRIPTION	QTY	PART #
1	Electric actuator	1	665573
2	Switch box	1	666048
3	Switch	1	663383
4	Rubber cap	1	658666
5	Plastic cap	1	662530
6	Clevis – rod end	1	666049
7	Clevis – fixed end	1	666051
8	Pin 1"	2	666057
9	Ground wire 72" (black)	1	666054
10	Tap connector	1	656665
11	Fuse wire 72" (red)	1	666055
12	Actuator wire	1	666056
13	Spring pin 3/16" x 1 3/4", PTD	2	O/L
14	Hairpin 4mm x 80mm, PTD	2	O/L
15	Self-drilling screw #10 x 1/2", PTD	4	O/L
16	Bolt hex. 1/2"NC x 2 1/2", PTD	2	O/L
17	Nylon insert locknut 1/2"NC, PTD	2	O/L
18	Loom	1	666053

