



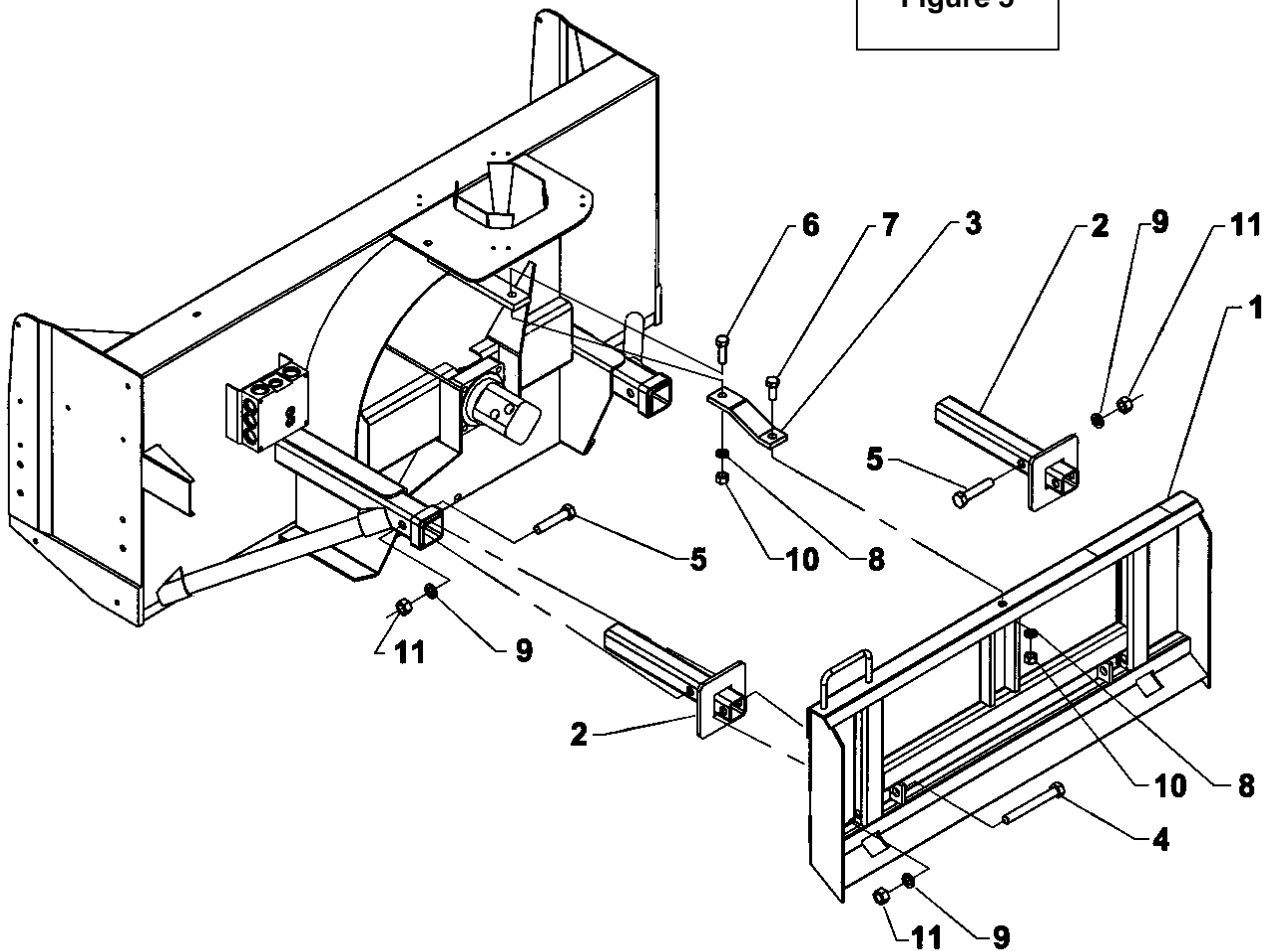
INSTRUCTION SHEET

8153 UNIVERSAL HITCH

INSTALLATION OF UNIVERSAL HITCH - 8153

1. Attach hitch arms (item 2) to hitch (item 1) using two 3/4" NC x 6" hex. bolts (item 4), 3/4" lockwashers (item 9) and 3/4" hex. nuts (item 11).
2. Insert hitch (item 1) in the snowblower tubes and secure with 3/4" NC x 3 1/2" hex. bolts (item 5), 3/4" lockwashers (item 9), 3/4" NC hex. nuts (item 11).
3. Place longest end of upper bracket (item 3) under the snowblower bracket. Secure using a 5/8" NC x 2" hex. bolt (item 6) on the snowblower and a 5/8" NC x 1 1/2" hex. bolt (item 7) on the hitch. Secure with a 5/8" lockwasher (item 8) and a 5/8" hex nut (item 10).

Figure 5





INSTRUCTION SHEET

8153 UNIVERSAL HITCH

UNIVERSAL HITCH - 8153

REF.	DESCRIPTION	QTY	PART #
1	Hitch	1	665881
2	Hitch arm	2	665882
3	Upper bracket	1	665883
4	Bolt hex. 3/4" NC x 6", PTD gr.5	2	O/L
5	Bolt hex. 3/4" NC x 3 1/2", PTD gr.5	2	O/L
6	Bolt hex. 5/8" NC x 2", PTD gr.5	1	O/L
7	Bolt hex. 5/8" NC x 1 1/2", PTD gr.5	1	O/L
8	Lockwasher 5/8", PTD	2	O/L
9	Lockwasher 3/4", PTD	4	O/L
10	Nut hex. 5/8" NC, PTD	2	O/L
11	Nut hex. 3/4" NC, PTD	4	O/L

