

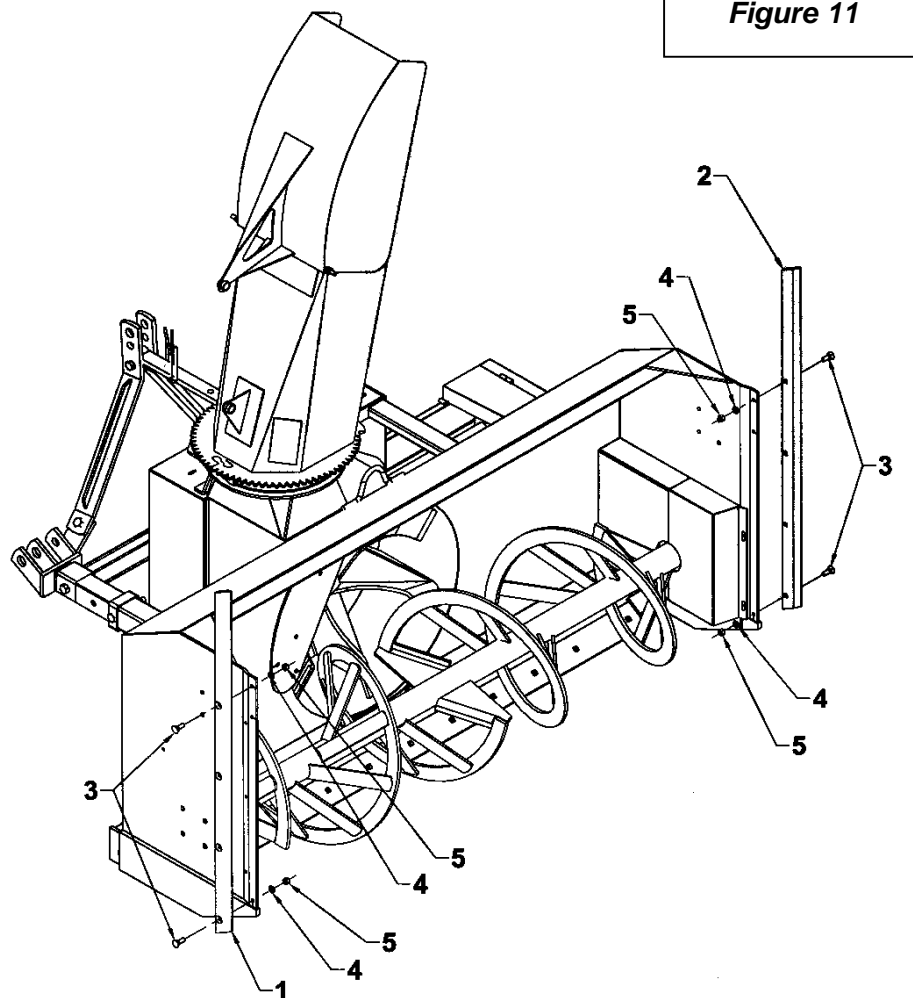


INSTRUCTION SHEET

8099 DRIFT CUTTERS

Drift Cutters Installation 8099 (Option) (Figure 11)

1. Enlarge the top and bottom holes on each side of the snowblower to $\text{Ø}1/2"$. Install the knives (items 1-2) on the exterior of each snowblower side by aligning the top and bottom holes and fasten with the plow bolts, lockwashers and nuts (items 3-4-5).
2. Using the knives as templates, drill the four missing holes and fasten as indicated in step 1.





INSTRUCTION SHEET

8099 DRIFT CUTTERS

DRIFT CUTTERS – 8099 (OPTION)

REF.	DESCRIPTION	QTY	PART #
1	Right vertical knife	1	664908
2	Left vertical knife	1	664907
3	Plow bolt 1/2" NC x 1 1/2" gr.5 PTD	8	O/L
4	Lockwasher 1/2" PTD	8	O/L
5	Nut hex. 1/2" NC PTD	8	O/L

