



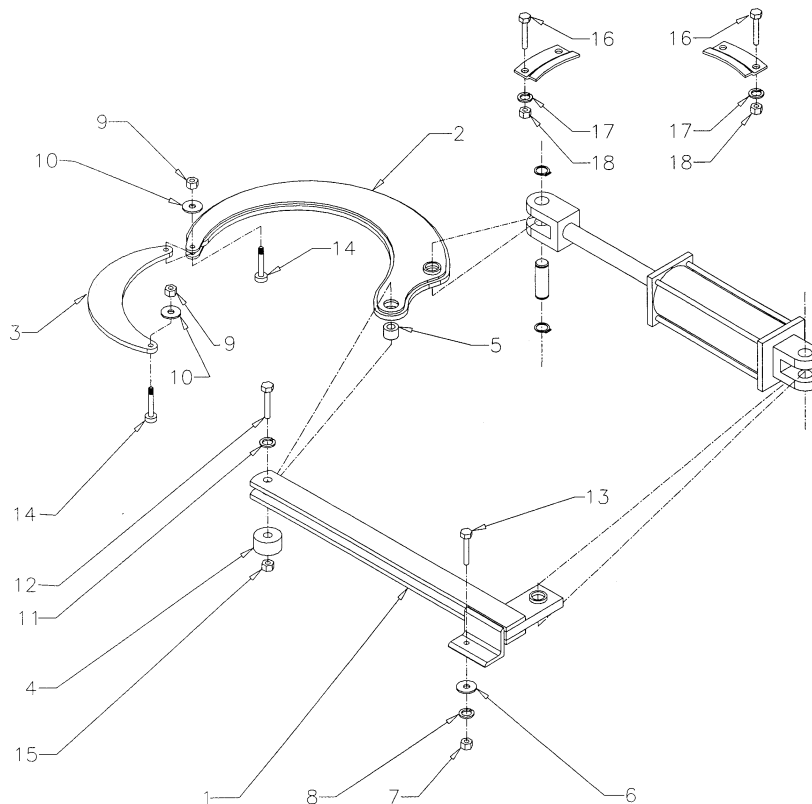
INSTRUCTION SHEET

8057 ROTATION WITH CYLINDER

INSTALLATION

1. Attach the chute with the retaining plates and spacers and fasten with six 1/2"NC x 1 1/4"LG bolts, lockwashers and nuts (items 16-17-18).
2. Fasten the cylinder bracket (item 1) on the snowblower housing with a 3/8"NC x 1" LG, flat washer (7/16" dia.hole), lockwasher 3/8" and hex. nut 3/8"NC (items 13-6-8-7).
3. Install the bell crank (item 2) on the frame by sliding a spacer (item 4) under the cylinder bracket. Insert a bushing (item 5) in the hole of the bell crank and slide the bell crank between the flat bars of the cylinder bracket. Fasten everything by inserting a 5/8"NC x 3 1/2" LG bolt, lockwasher and hex. nut 5/8"NC (items 12-11-15).
4. Install the push arm (item 3) by sliding it under the flat bar welded to the chute, and insert a 3/8" x 3/4" x 5/16"NC shoulder screw (item 14) under the part. Tighten with a 3/8" flat washer and a 5/16"NC stover nut (items 10-9) leaving some movement to the push arm.
5. Slide the other push arm end between the bell crank flat bars, and insert a 3/8" x 3/4" x 5/16"NC shoulder screw (item 14) under the part. Tighten with a 3/8" flat washer and a 5/16"NC stover nut (items 10-9) leaving some movement to the mechanism.

Note: Grease the base of the chute regularly to avoid premature wear.



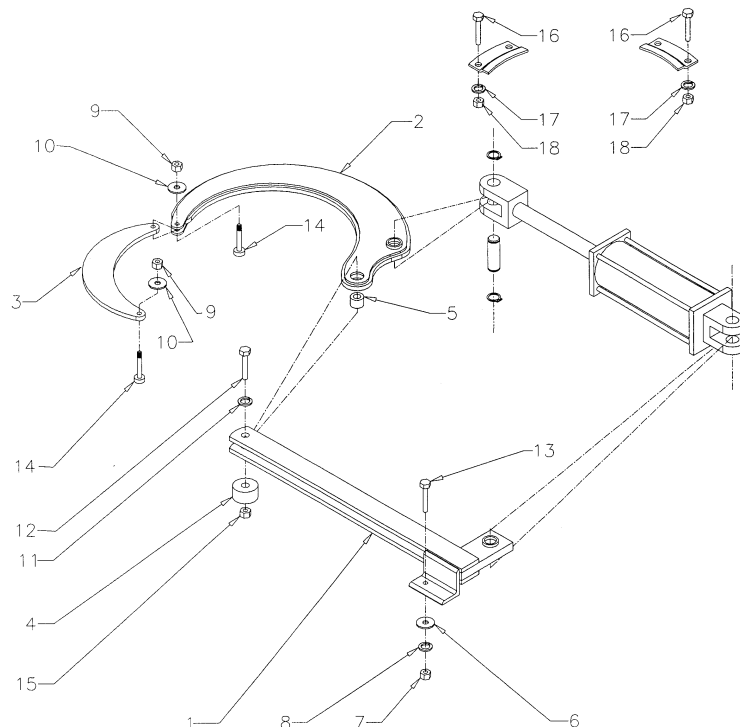


INSTRUCTION SHEET

8057 ROTATION WITH CYLINDER

HYDRAULIC ROTATION BY CYLINDER – KIT 8057

REF.	DESCRIPTION	QTY	PART NUMBER
1	Cylinder bracket	1	664450
2	Bell crank	1	664518
3	Push arm	1	664501
4	Spacer	1	664429
5	Bushing	1	664428
6	Flatwasher (7/16")	1	O/L
7	Hex. nut (3/8" NC)	1	O/L
8	Lockwasher (3/8")	1	O/L
9	Stover nut (5/16" NC)	2	O/L
10	Flat washer (3/8")	2	O/L
11	Lockwasher 5/8"	1	O/L
12	Hex. bolt (5/8" NC x 3 1/2")	1	O/L
13	Hex. bolt (3/8" NC x 1")	1	O/L
14	Shoulder Bolt (3/8" x 3/4", 5/16"NC)	2	664576
15	Hex. nut (5/8"NC)	1	O/L
16	Hex. bolt (1/2"NC x 1 1/4")	2	O/L
17	Lockwasher 1/2"	2	O/L
18	Hex. nut (1/2"NC)	2	O/L





INSTRUCTION SHEET

8057 ROTATION WITH CYLINDER