



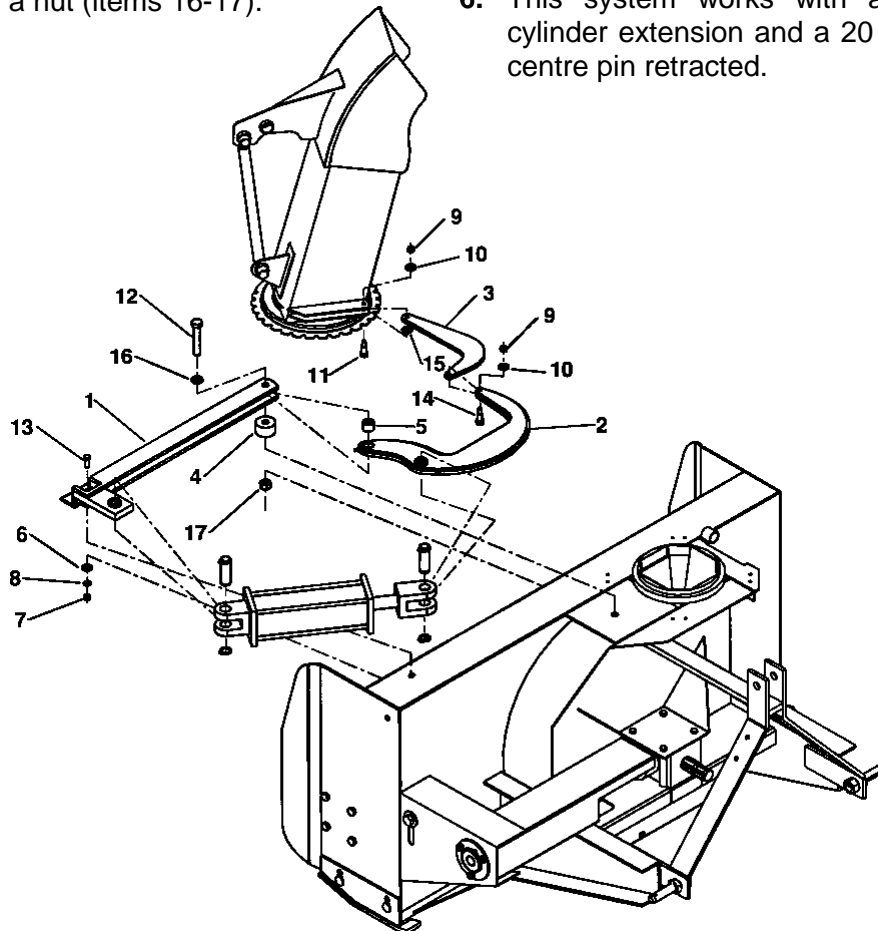
## INSTRUCTION SHEET

## 8056 ROTATION WITH CYLINDER

### INSTALLATION

**For SA52 & SA62 models snowblowers:**  
Remove the 5/8"NC x 1 1/4" hex. bolt securing the tractor upper 3 point hitch.

1. Install the cylinder bracket (item 1) through the  $\text{\O}13/32$ " hole on the frame by inserting a 3/8" NC x 1" bolt (item 13), then tighten with a flat washer ( $\text{\O}7/16$ " hole), a lockwasher and a nut (items 6-7-8).
2. Install the bell crank (item 2) on the frame by sliding a spacer (item 4) under the cylinder bracket, opposite the  $\text{\O}11/16$ " hole. Insert a bushing (item 5) in the  $\text{\O}1 1/8$ " hole of the bell crank and slide the bell crank between the flat bars of the cylinder bracket. Fasten everything by inserting a 5/8" NC x 3 3/4" bolt (item 12), a lockwasher and a nut (items 16-17).
3. Install the push arm (item 3) by sliding it between the bell crank plates, greasing generously.
4. Insert a 3/8" x 3/4"NC shoulder screw (item 14) under the part and tighten with a  $\text{\O}3/8$ " hole flat washer (item 10) and a 5/16"NC stover.nut (item 9), leaving some movement to the push arm.
5. Slide the other push arm end between the flat bars welded on the chute base. Inserting a  $\text{\O}7/16$ " hole nylon flat washer (item 15) under the push arm. Fasten everything with a 3/8" x 1" shoulder screw (item 11), a  $\text{\O}3/8$ " hole flatwasher (item 10) and a 5/16"NC stover.nut (item 9), leaving some movement to the mechanism.
6. This system works with a 8" hydraulic cylinder extension and a 20 1/4" centre-to-centre pin retracted.





# INSTRUCTION SHEET

# 8056 ROTATION WITH CYLINDER

## PARTS

REF.	DESCRIPTION	QTY	PART #
1	Cylinder Bracket	1	664450
2	Bell Crank	1	664451
3	Push Arm	1	664452
4	Spacer	1	664429
5	Bushing	1	664428
6	Flatwasher (7/16")	1	O/L
7	Hex. Nut (3/8" NC)	1	O/L
8	Lockwasher (3/8")	1	O/L
9	Stover Nut (5/16" NC)	2	O/L
10	Flat washer (3/8")	2	O/L
11	Shoulder Screw (3/8" x 1", 5/16" NC)	1	664583
12	Hex. Bolt (5/8" NC x 3 3/4")	1	O/L
13	Hex. Bolt (3/8" NC x 1")	1	O/L
14	Shoulder screw (3/8" NC x 3/4", 5/16"NC)	1	664576
15	Nylon Flat washer (7/16")	1	O/L
16	Lockwasher (5/8")	1	O/L
17	Hex. nut (5/8" NC)	1	O/L

