



INSTRUCTION SHEET

8051 – MANUAL CHUTE ROTATION

Manual Chute Rotation – 8051 (Option) (Figure 1)

1. Grease base of chute then place chute on top of it. Install the three retaining plates using six 1/2" x 1 1/4" bolts (item 14), lockwashers and nuts (items 7-8).
2. Align flat bar (item 1) with the two holes on top of the snowblower (fig 2, items 1-2) making sure the attaching plate (item 1A) faces the 3 pt hitch. Attach with a 3/4"NC x 2 1/2" bolt, lockwashers and nuts (items 9-8-7) in hole next to the chute (fig 2, item 1), and a 1/2"NC x 1 1/2" bolt, lockwasher and a 1/2"NC hex. nut (items 2-8-7) in the side hole (fig.2, item 2).
3. Install manual rotation bracket (item 10) on attaching plate (item 1A). Secure with a 5/8" x 2 1/2" bolt, two 11/16" flat washers and nylon nut (items 17-5-6) on the left side, and a 1/2"NC x 1 3/4" bolt, lockwasher and nut (items 11-8-7) on the right side.

CAUTION: To avoid personal injury, check the full lifting range of the snowblower, to ensure that the chute rotation handle is clear of the operator's area when the snowblower is in raised position.

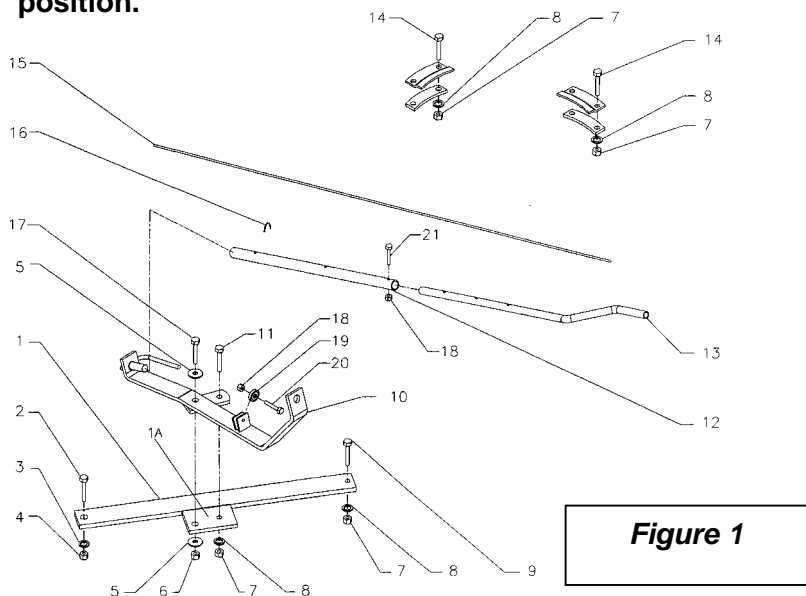


Figure 1

Cable Installation (Figure 1)

1. Place deflector opening parallel to front of blower.
2. Turn deflector opening to the right, clockwise, approximately 40 degrees.
3. Tape ends of cable (item 15) with electrical tape to keep ends from fraying.
4. Pass the cable through the rotation tube (item 12) keeping an 8" spare length and locking it temporarily with the cable clamp (item 16).
5. Turn the cable one full turn around the chute base in a clockwise direction.
6. Pass the cable through the two small holes of the base of the chute, with an in and out motion.
7. Continue to route the cable by passing it under the pulley (item 19).
8. Turn the chute in the opposite direction (same angle of 40 degrees) by turning the rotation handle (item 13) counter clockwise keeping a proper cable tension with the free hand.
9. Detach the cable clamp (item 16). Place between the two holes securing the two ends of the cable. Be sure the ends of the cable are under proper tension.

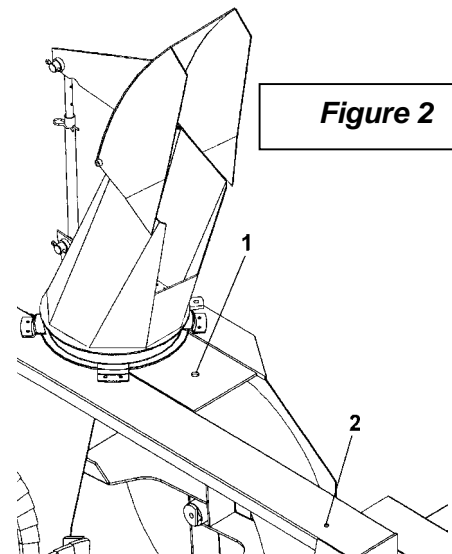


Figure 2



INSTRUCTION SHEET

8051 – MANUAL CHUTE ROTATION

MANUAL ROTATION – KIT 8051

REF.	DESCRIPTION	QTY	PART NUMBER
1	Flat bar with attaching plate	1	664506
2	Hex. bolt (1/2"NC x 1 1/2")	1	O/L
3	Lockwasher 3/4"	1	O/L
4	Hex. nut (3/4"NC)	1	O/L
5	Flat washer 11/16"	2	O/L
6	Nylon hex. nut (5/8"NC)	1	O/L
7	Hex. nut (1/2"NC)	4	O/L
8	Lockwasher 1/2"	4	O/L
9	Hex. bolt (3/4"NC x 2 1/2")	1	O/L
10	Rotation bracket	1	664505
11	Hex. bolt (1/2"NC x 1 3/4")	1	O/L
12	Rotation tube	1	654187
13	Handle	1	654185
14	Hex. bolt (1/2"NC x 1 1/4")	2	O/L
15	Cable 3/16" x 152" LG	1	654201
16	Cable clamp	1	654202
17	Hex. bolt (5/8"NC x 2 1/2")	1	O/L
18	Nylon hex. nut (1/4"NC)	2	O/L
19	Pulley	1	654189
20	Hex. bolt (1/4"NC x 1 1/4")	1	O/L
21	Hex. bolt (1/4"NC x 1 1/2")	1	O/L

